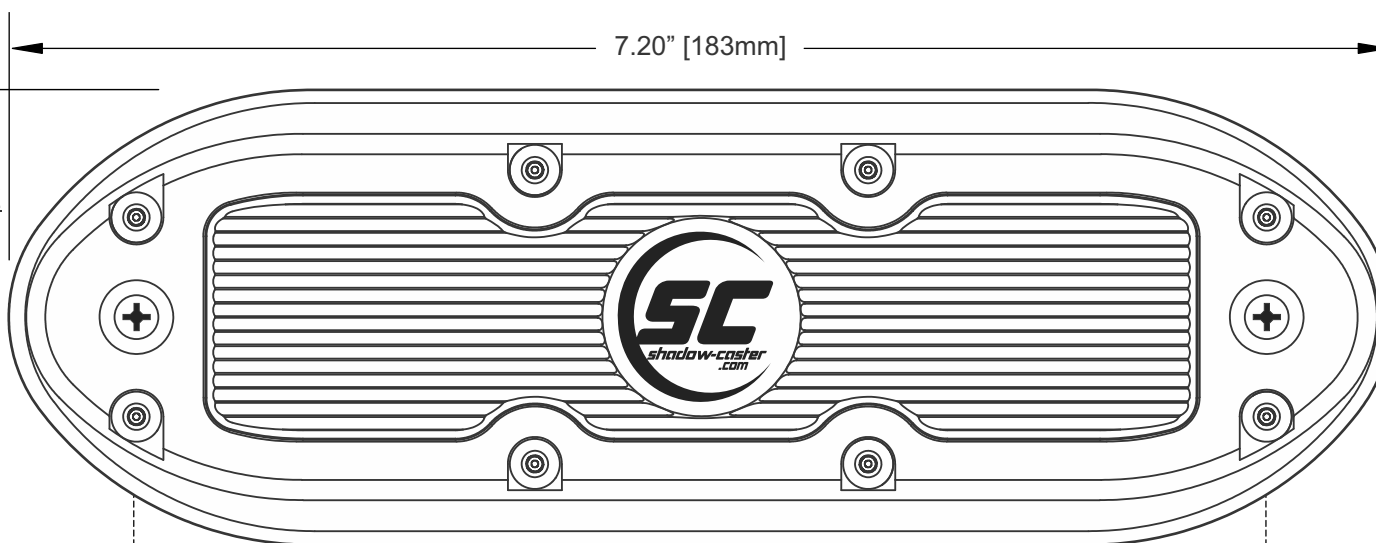
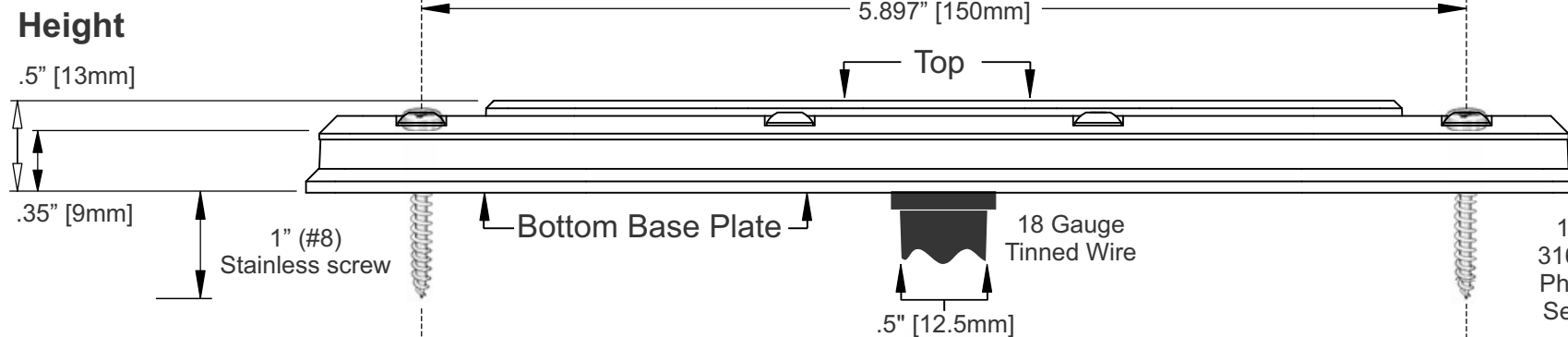


Top View

WARNING!
Do Not Use ACETONE
To Clean The
Polycarbonate Lens.
Use Alcohol
and Soft Cloth.



Side View



PLEASE READ INSTRUCTIONS INSIDE TEMPLATE

TAPE
HERE

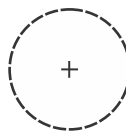
TAPE
HERE

FOR CENTER WIRE HOLE USE THE FOLLOWING:

DO NOT USE TEMPLATE
TO MARK SCREW HOLES

DO NOT USE TEMPLATE
TO MARK SCREW HOLES

1st - DRILL PILOT HOLE AT CENTER FOR THE WIRE, THEN USE 5/8" DRILL ALL THE
WAY THROUGH



SCM-6™
Typical Power Requirements
2 Amps@12v

2nd - RUN WIRE THROUGH THE HOLE AND MARK ONE MOUNTING HOLE LOCATION
3rd - FOLLOW STEPS ON FRONT OF SHEET FOR DRILLING MOUNTING HOLES

WHEN PRE-DRILLING SCREWS:
FIRST PRE-DRILL
CENTER HOLE AND RUN
WIRE. THEN MARK YOUR
SCREW HOLES WITH DRILL BIT
OR PENCIL WHILE USING
ACTUAL LIGHT HOUSING

WHEN PRE-DRILLING SCREWS:
FIRST PRE-DRILL
CENTER HOLE AND RUN
WIRE. THEN MARK YOUR
SCREW HOLES WITH DRILL BIT
OR PENCIL WHILE USING
ACTUAL LIGHT HOUSING

TAPE
HERE

TAPE
HERE

Scale 1:1 (If in doubt ask)