



# MARCH PUMPS

1819 PICKWICK AVE., GLENVIEW, IL 60026-1306, U.S.A  
 PHONE: (847) 729-5300 - FAX: (847) 729-7062  
 WWW.MARCHPUMP.COM

## LC-3CP-MD

### DESCRIPTION:

The LC-3CP-MD is a centrifugal magnetic drive pump, eliminating the need for a shaft seal. Pumps are serviceable with a screwdriver. The "LC" is hermetically encapsulated and liquid cooled which allows the pump to be run fully submerged or in open air for complete moisture protection.

### OPERATION:

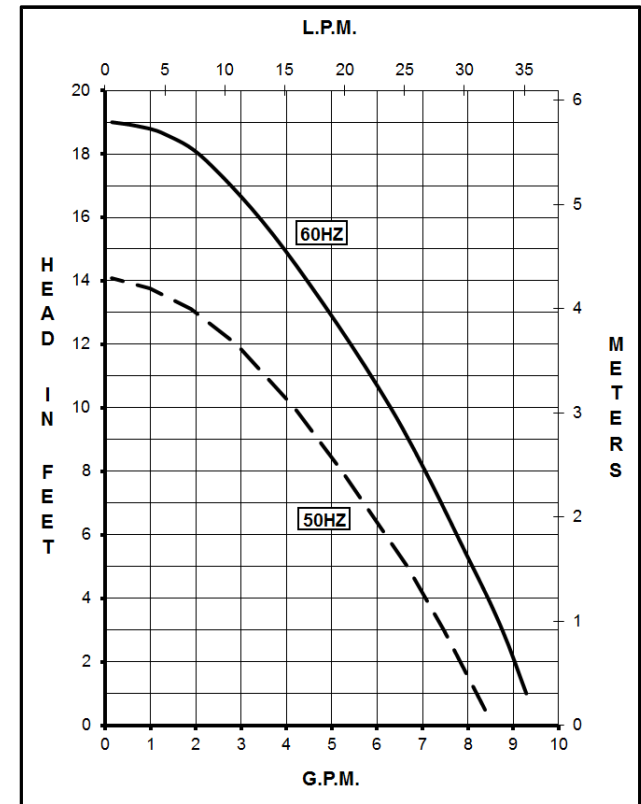
Pumps are not self-priming, lack a suction lift, and thus require a **flooded suction**. Pumps **cannot be run dry** because the impeller requires the liquid being pumped for lubrication. For liquids with a specific gravity greater than water, have a higher viscosity, or for elevated temperatures, a trimmed impeller may be necessary. For application assistance, contact March Pump.

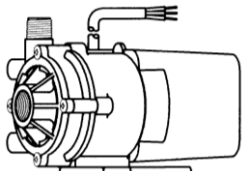
### ELECTRICAL:

Motors are available in different electrical configurations such as 115 Volt 50/60 Hz, or 230 Volt 50/60 Hz, 1 phase. The motors are U.L. listed and rated as continuous duty. Models have a 6 foot (1.8 m) cord.

### LIMITED WARRANTY:

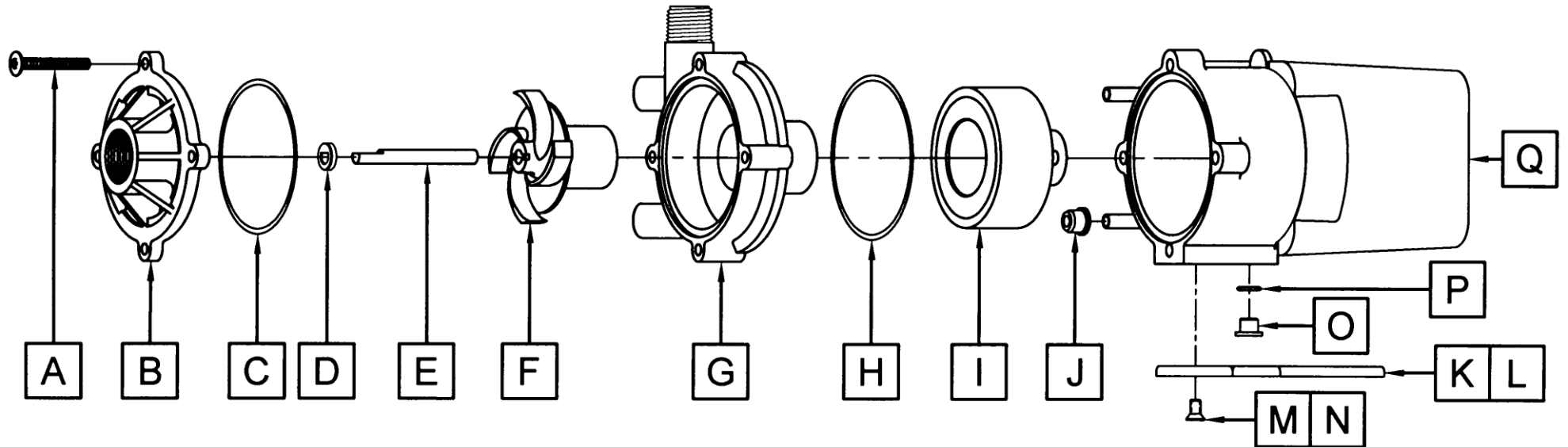
March pumps are guaranteed only against defects in workmanship or materials for a period of one year from date of manufacture pumping water. For the complete warranty and to register online go to [www.marchpump.com/warranty-registration](http://www.marchpump.com/warranty-registration)



SPECIFICATIONS		LC-3CP-MD																														
																																
Product #	115 V 230 V	0130-0158-0200 0130-0159-0200																														
Inlet - Outlet		3/4" FPT - 1/2" MPT																														
Max Internal Pressure		25 psi / 172 kPa																														
Max Liquid Temperature		130 °F / 54 °C																														
MODEL	60 Hz												50 Hz												Height		Width		Length		Packed Weight	
	Max Flow gpm lpm	Max Head ft psi m		ELECTRICAL						Max Flow gpm lpm	Max Head ft psi m		ELECTRICAL						Inches	cm	Inches	cm	Inches	cm	lbs	kg						
LC-3CP-MD	8.5 32.2	19	8.2	5.8	1	115	2.0	1/20	0.037	3450	8.2	31	14.1	6.1	4.3	1	115	2.3	1/20	0.037	2850	4.87	12.3	4.75	12.0	7.38	18.7	7.90	3.58			
						230	1.0										230	1.0										7.95	3.60			

All specifications & data are based on pumping water & are intended as a guideline only. Specifications may vary with different motors.

**PARTS LIST**



#	DESCRIPTION	MATERIAL	SIZE (Inches)	QTY.	PART #
A	Screw	Stainless	#10-32 x 1-1/2 Lg.	4	0823-0008-1000
B	Cover	Polypropylene	3/4 FPT	1	0130-0021-1000
C	"O" Ring	Buna N	3/32 CS x 2-13/16 OD	1	0130-0011-1000
D	Thrust Washer	Ceramic		1	0130-0028-1000
E	Shaft	Ceramic		1	0130-0024-1000
F	Impeller w/Ceramic Magnet	Polypropylene		1	0130-0020-0100
G	Rear Housing & Plug Assembly	Polypropylene		1	0130-0019-0100
H	Bracket "O" Ring	Buna N	3/32 CS x 3 OD	1	0130-0025-1000
I	Drive Magnet			1	0130-0043-0200
J	Cooling Tube Seal	Buna N		2	0125-0007-1000
K	Mounting Base	Polypropylene		1	0125-0037-1000
L	*†Marine Base w/Grommets	Polypropylene		1	0125-0113-0100
M	Base Screw	Stainless		2	0130-0132-1000
N	*†Marine Base Screw	Stainless		2	0130-0146-1000
O	Plug for Motor Bracket			1	0125-0110-1000
P	"O" Ring	Viton	1/16 CS x 7/16 OD	1	0210-0008-1000
Q	L.C. Epoxy Motor, Bracket, Cord Assembly			N/A	Not Available
W	Wet End Kit (A, B, C, D, E, F, G, H, J)			1	0130-0115-0200

\*Not Shown †Option

**MATERIALS IN CONTACT WITH SOLUTION**

Polypropylene, Cupric Nickel, Buna N, Ceramic, Ceramic Magnet

Also when submerged: Epoxy, Stainless, Ryton, & Cord

NOTE: Contact Factory for other materials and/or parts not listed.

0130-0036-1000 R29