

# Start Your A/C with Generator or Inverter with EasyStart™



Your A/C compressor motor current soars at startup. Compressor starts often draw 4 to 6 times the normal running current. This can cause lights to dim, generators to stall, breakers to trip, or marginal inverters to simply not work, and it may even damage other devices connected to your electrical system.

**EasyStart™** The most advanced & effective soft starter for all A/C applications

- Start Your A/C With-Out Buying A Second or Bigger Generator or Inverter
- Run 2 Air Conditioners On A 30- Amp Cord
- Sleep, with less noise, And Cool All Through The Night
- Run Your A/C with more Appliances At The Same Time

*"We are very happy with EasyStart. Installing EasyStart on our AC units changed everything. We were able to start and run either the 15 or 13.5 units with one propane Honda EU2000. We were able to run both AC units simultaneously from a 30 amp."*

- Joe Jones

## Key Benefits

- 70% average reduction from LRA (locked-rotor)
- Audibly quieter and smoother compressor startups
- Far superior and totally different than a "hard start"
- Start and run your A/C from a single Honda EU2000i in ECO Mode
- Start and run two A/Cs on a 30A campsite hook-up
- Compatible with pure or modified sine inverters
- Enhanced fault detection to protect the compressor
- IP65 weatherproof enclosure
- Integrated short-cycle prevention

Model # Description	Voltage	Enclosure	Harness
<b>ASY-364-X20-IP</b> 20kBTUs 25 FLA (RV Only)	100-125VAC 50-60Hz	194L x 91W x 64H mm 7.64L x 3.58W x 2.50H in	40 in (1m)
<b>ASY-364-X36-IP</b> 36kBTUs (3-ton) 25 FLA	100-250VAC 50-60Hz	194L x 91W x 64H mm 7.64L x 3.58W x 2.50H in	32 in (0.8m)
<b>ASY-368-X72-IP</b> 72kBTUs (6-ton) 36 FLA	100-250VAC 50-60Hz	40L x 120W x 75H mm 9.45L x 4.72W x 2.95H in	32 in (0.8m)
<b>ASY-366-X05</b> 36kBTU 25 FLA	board-only model Board size 138L x 85W mm 5.45L x 3.35W in		
<b>ASY-366-X06</b> 72kBTU 36 FLA	board-only model Board size 138L x 85W mm 5.45L x 3.35W in		



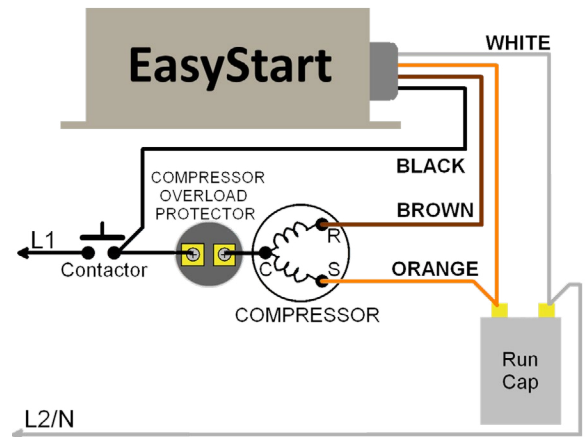
124 Route 526 | Allentown, NJ 08501 | Tel: 609-259-2636  
www.microair.net

Features	EasyStart™	Other
<b>Start-Up Algorithm for Start Surge Reduction</b>		
Lab Tested CE Compliance	•	•
Average start surge reduction to 65%	•	•
Average start surge reduction to 70%	•	
Sophisticated, auto-learned 4-part start-up algorithm	•	
One-time learning algorithm for better shore power/generator transitions	•	
Optimized to eliminate spikes during start-to-run transition	•	
Individually optimized start-up profiles for 50Hz and 60Hz	•	
Low sensitivity to momentary voltage dips during start-up	•	
Auto-bleed of run cap voltage and compressor energy during shutdown	•	
Reliably starts any 115V compressor on a Honda EU2000i in ECO Mode	•	
<b>Electronic Hardware</b>		
Daughterboard & low-cost board-only solutions available	•	
True 6 ton compressor support in largest model (38 FLA)	•	
Precise compressor rotation/phase measurement	•	
<b>Fault Detection for Compressor/Wiring/Electronics Protection</b>		
Stall detection during start-up	•	•
Open-overload detection during start-up and run operation	•	•
Momentary power outage detection during run operation	•	•
4-minute shutdown and restart after fault	•	•
Short cycle prevention timer that keeps track of time when powered off	•	
Sustained over-current detection during run operation	•	
Fault LEDs on circuit board for easy determination of cause	•	
<b>Plastic Enclosure Solution</b>		
Integrated 4-wire harness	•	•
Multiple sizes for compressor capacity ranges	•	•
Integrated mounting tabs	•	
Removable lid for troubleshooting via LEDs & for start cap servicing	•	
Fully weatherproof, no ingress enclosure (IP65)	•	
Lower cost	•	

*"I was a little skeptical at first, but I'm very impressed with the EasyStart unit, it will start and run the AC with no trouble. More impressed with the customer service I received, even before I became a paying customer.*

*I've been telling everyone I know about getting one for their rigs."*

- Mike Stubblefield



Order your EasyStart™ factory-direct from Micro-Air today at [www.microair.net](http://www.microair.net) or from our dealer below

