

2018

MARINE PRICE LIST

EFFECTIVE JANUARY 8, 2018

**AIR CONDITIONING
& REFRIGERATION**

Prices noted are US list prices and are subject to change without notice. This price list supersedes all others.

Mobile living made easy.



TABLE OF CONTENTS

SELF-CONTAINED AIR CONDITIONING PAGE

Dometic Turbo Units (DTU)- replacements for VTD, STQ, STX units.....	8
Dometic Compact Units (DCU) - replacements for VCD, SVCD, SQUF and SXUF units.....	10
Dometic Low-profile Units (DLU) - replacements for VLD, SQL and SXL units.....	10
Dometic EnviroComfort Units (ECD).....	11
Cuddy II DC.....	11
Installation Guide Cuddy II Kits.....	12



TURBO



COMPACT



LOW-PROFILE



ENVIROCOMFORT



CUDDY II

SPLIT GAS AIR CONDITIONING - CONDENSERS PAGE

Dometic Emerald Remote Condensing Units (DEU)	
*Replacements for ED and EQ units	
115V 60HZ and 230V 60HZ	13
220V 50HZ 1PH and 380V 50HZ 3 Phase	14



SPLIT GAS AIR CONDITIONING - EVAPORATORS PAGE

TVE Emerald Series TurboVap R-410A Evaporators.....	15
EBE Series R-410A Evaporators.....	15
EBLE Low Profile Draw Through R-410A Evaporators.....	15
EDLE The Breeze Low-profile R-410A Evaporators.....	15
EBDE Direct Drive R-410A Cooling units.....	16
EDL The Breeze Low-profile R-417A Evaporators.....	16
TV TurboVap R-417A Evaporators and Accessories.....	16



TVE/TV



EBE



EBLE



EDLE/EDL



EBDE

DOMETIC AIR-COOLED AIR CONDITIONING PAGE

Durasea Rooftop, Jackboat & Radome Units	17
DuraSea Series Air Cooled Condensers (DCA) Nomenclature.....	18
DuraSea Condensers (DCA) Base Units and Options.....	19



DURASEA ROOFTOP



JACKBOAT



RADOME



DURASEA

TABLE OF CONTENTS

CHILLED WATER AIR CONDITIONING UNITS PAGE

VARC Variable Capacity Chiller.....	20
MCGX Titanium Modular Chillers R-410A.....	20
MCGXLP Titanium Low-profile Modular Chillers R-410A.....	20
TWCX Titanium Modular Chillers R-410A.....	20



VARC



MCGX



MCGXLP



TWCX

CHILLED WATER CONTROL PANELS PAGE

PLC Control Panel Packages.....	21
PLC Panel Optional Parts.....	22
STIIC.....	22
PLC-OTS Electric Boxes - Marine Air Systems Only.....	22
Single-Unit MPLC Modular Control Panels Cruisair.....	23
Additional PLC Control Panel Parts.....	23
Other Chilled Water Accessories.....	23
Variable Frequency Drives & AC Line Reactors.....	24

CHILLED WATER AIR HANDLERS PAGE

AU Air Handlers.....	25
AU-EU (European Version) Air Handlers.....	27
AT4, AT36 HV & AT36 DC Air Handlers.....	27
ATL Draw-Through Air handlers.....	28
ABL Horizontal & ATV Vertical Draw-Through Air Handlers.....	28
Fresh Air Make-up Air Handlers.....	29
Dometic Air Handler Control Package.....	29
Air Handler and Blower Orientation Drawing (H3050002).....	30



AU



AT



ATL



ABL



ATV

CLIMATE CONTROLS AND ELECTRONICS PAGE

DOMETIC DISPLAYS AND ACCESSORIES	
Dometic ENVIROCOOL/ENVIROCOMFORT Display.....	31
Dometic PLC Displays.....	31
Dometic SMART TOUCH Chilled Water Controls.....	31
Dometic ESKIMO ICE Display.....	31
Bezels and Keypad Accessories.....	31

TABLE OF CONTENTS

CLIMATE CONTROLS AND ELECTRONICS		PAGE
CRUISAIR DISPLAYS - AUTHORIZED DISTRIBUTORS & DEALERS ONLY		
Cruisair Q LOGIC Display.....		32
Cruisair SMX Display.....		32
Cruisair TWLC Display.....		32
Cruisair Mechanical Displays.....		32
Display and Network Cables, Adapters and Temperature Sensors.....		33
MARINE AIR DISPLAYS - AUTHORIZED DISTRIBUTORS & DEALERS ONLY		
Marine Air SMART TOUCH Display.....		35
Marine Air ELITE Display.....		35
Marine Air PASSPORT I/O Display.....		35
Marine Air Chilled Water Controls.....		35
Marine Air Mechanical Controls.....		35
Marine Air Digital Upgrade Retrofit Kits.....		36
Marine Air Display and Sensor Cables.....		37
PUMPS & ACCESSORIES		PAGE
New Pump Description Nomenclature.....		38
Pump Assemblies and Pump Packages.....		39
Circulated Water Pump Packages.....		41
Pump Accessories.....		41
MARINEAIR PUMP RELAY - AUTHORIZED DISTRIBUTORS AND DEALERS ONLY.....		43
CRUISAIR PUMPS - AUTHORIZED DISTRIBUTORS AND DEALERS ONLY.....		44
Circulating Loop Components.....		45
ADD-ONS AND SPECIALTY UNITS		PAGE
Breathe Easy Air Purifier.....		46
Whisper Fan Controller.....		46
Sound Covers.....		46
Single Phase Smart start Devices.....		46
Pilot House Defroster.....		46
CRUISAIR SYSTEMS ONLY - Auxiliary Duct Heaters.....		46
Pilot House Defroster Sign Off.....		47
Auxiliary Heaters - Chill Chasers.....		48
A/C ACCESSORIES		PAGE
Air Filters.....		49
Grilles.....		50
Flexible Air Duct.....		54
Transition Boxes.....		54
Plastic T's and Y's.....		55
Mount Rings.....		57
Plastic Aluminum Rings and T-Boxes.....		58
Custom Plenum Request Form.....		59
Installation Components.....		60

TABLE OF CONTENTS

REFRIGERATION SECTION

KRA REFRIGERATION UNITS	PAGE
KRA Condensing Units, Tubes, Control Kits and Liquid Lines.....	61
Suction Lines, Accessories and Parts.....	62

ADLER BARBOUR	PAGE
Condensing Units and Evaporators.....	64
Kits and Accessories.....	65
Custom Evaporator Worksheets VD-150.....	66
Custom Evaporator Worksheets VD-152.....	67

ESKIMO ICE	PAGE
EI1000 and EI540 Titanium Units and Parts.....	68

GALLEY PRODUCTS

REFRIGERATORS AND FREEZERS	PAGE
Eskimo Cup Cooler, CRX Refrigerator/Freezer	70
CRD Drawer Refrigerator/Freezer, Flanges (CRX/CR/CRD).....	71
CD Drawer Refrigerators and Flanges.....	71
CB Built-In Top Load Refrigerators/Freezers.....	71
CFX/CF Portable Refrigerators, Accessories and Parts.....	72

ORIGO STOVE SERIES	PAGE
Alcohol Stoves, Ovens and Accessories.....	74

REPLACEMENT UNIT AND PARTS SECTION

LEGACY SPLIT GAS AIR CONDITIONING - CONDENSERS	PAGE
MARINE AIR AUTHORIZED DISTRIBUTORS & DEALERS ONLY	
CSD Series Condensers.....	76

LEGACY SPLIT GAS CONDENSERS & EVAPORATORS	PAGE
CRUISAIR AUTHORIZED DISTRIBUTORS & DEALERS ONLY	
RX & R Series Condensing Units.....	77
REU/EBUL/EBS Series Evaporators R-417A.....	78
RM/EHMB Series Modulating Condensing & Evaporator Units.....	78
CoolBreeze Boat Exterior Cooling Kits.....	78

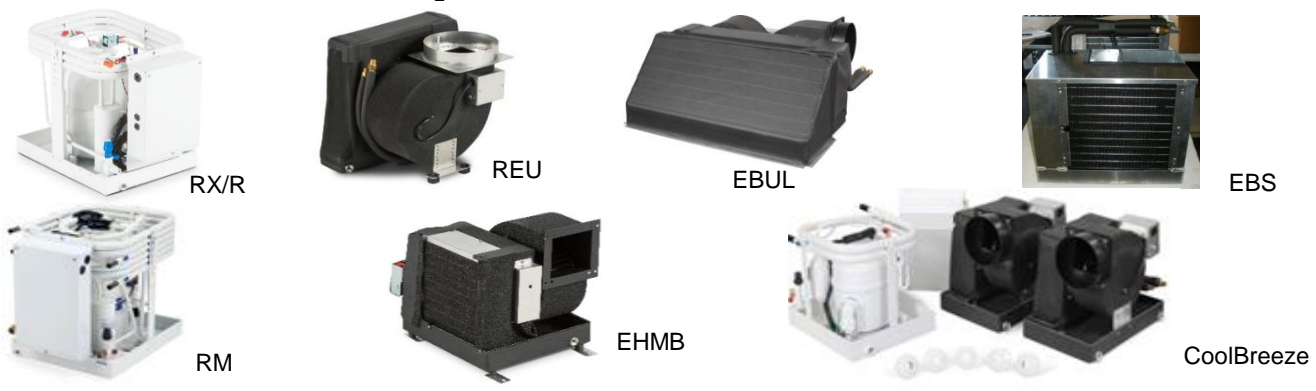


TABLE OF CONTENTS

CRUISAIR AUTHORIZED DISTRIBUTORS & DEALERS ONLY

MTCGX/MTDX Titanium Modular Chiller Units R-410A.....	79
Unit Bases, Frames and Headers MTDX & TWCX.....	80
TWCX Titan Chiller Units R-410-A.....	81

MARINE AIR AUTHORIZED DISTRIBUTORS & DEALERS ONLY

MCGX Titanium Unit Bases and Manifolds.....	82
CHCG Marine Air Chiller Compact R-410A.....	83



MTCGX



MTDX



TWCX



MCGX



CHCG

GRUNERT REFRIGERATION SYSTEMS

PAGE

PassageMaker.....	84
Thermostats, Valves, and Additional Components & Parts.....	85
Evaporator Plate Custom Worksheet.....	87

DX EXPLODED DRAWINGS & TABLES

PAGE

Turbo.....	88
DCU (VCD-SQUF-SXUF)18-27K.....	90
(ECD/ECM).....	92
Emerald Condensers 6-16K.....	94
Emerald Condensers 24-48K.....	96
TurboVap (TV).....	98
EBE/EBHE.....	100
EBDE and Flex Duct Evaporator.....	102
CSD/CSM MARINE AIR AUTHORIZED DISTRIBUTORS ONLY.....	103
Stowaway SH, SX, SHR, SXR CRUISAIR AUTHORIZED DISTRIBUTORS ONLY.....	104
Stowaway SXF, SHF and ZEPHYR.....	105
R Type Remote Condensers - TABLE ONLY.....	106
RM Type Remote Modulating Condensers - TABLE ONLY.....	107

DX REPLACEMENT PARTS INDEX

PAGE

Accumulators, Blowers.....	108
Control Boards, Canbus, Capacitors.....	109
Coils.....	111
Compressors.....	112
Condensers, Contactors, Control HPS/LPS, Drain Pans, Drier Filters, ECD Duct Kits.....	115
ECD Install Kits and Electrical Boxes, Fuses, Heaters, Overloads.....	116
Receivers & Relays.....	117
Resistors, Reversing Valves, SMX/SMXII Controls, Starts Assist, Strainers.....	118
Switches, Tee Assemblies, Valves.....	119

TABLE OF CONTENTS

CW EXPLODED DRAWINGS & TABLES	PAGE
AU/AU-EU AIR HANDLERS.....	120
ATL AIRHANDLERS.....	122

CHILLED WATER REPLACEMENT PARTS INDEX	PAGE
Adapters, Blowers.....	124
Breathe Easy Retrofit Kits, Cable VFD, Canbus, Capacitors, Contactors, Controls.....	125
Changeover COS, Current Transducers, Drive, EPROM, Harnesses, Heat Elements.....	125
Kit MTA/B-MTC, Knob Mylar, Light Indicator, Overload, Power Supply.....	126
Sensors, Switches, Thermal Fuse, Thermostats, Timer Delay, Transformer, Valves.....	126
CWMC-OTS Electric Boxes.....	127

CONDARIA CHILLED WATER PARTS	PAGE
Condaria Chilled Water Spare Parts List.....	128

PRODUCT CANCELLATION POLICY	PAGE
Dometic Marine's Product Cancellation Policy.....	131

Note:

- 1) Due to a manufacturing facility change, part numbers listed in this book are subject to change without notice. Please contact your sales, applications, or service representative if you should have any questions.
- 2) Dometic sells a large number of items dealers, distributors, boat builders, and international distribution. There are many customer-specific items which are not included in this price list. If you need an item, and can't find it in this list, ask your distributor, dealer or one of the sales staff at Dometic, it may still be available.
- 3) If you have a time critical situation, please tell us. We will do our best to facilitate your needs. Please do not request SAME DAY SERVICE unless absolutely necessary.



Due to the EPA mandated phase out of R22 refrigerant, the cost of certain mechanical components used in R417A products has been rising significantly. Also in some cases, these components are no longer available. Therefore the price of these products will likely be increased over the next few years and availability may be an issue. **THEREFORE WE RECOMMEND CHECKING PRICE AND AVAILABILITY OF R417A PRODUCTS BEFORE PLACING AN ORDER.**

Self-Contained Air Conditioning

Dometic Turbo Units (DTU) are direct replacements for all VT and ST units.
 All Units include inside temperature sensor. Display cable NOT included.

115V 60HZ Units

NEW DOMETIC P/N	New Description	LIST PRICE (USD)	Replaces Cruisair & Marine Air P/N	Old Description
205160060	DTU6 115V 60HZ 410A	\$2,310.00	205561250 205561255 205561200	STQ6-410A 115V 60HZ ONLY STX6-410A 115V 60HZ ONLY VTD6K-410A 115V 60HZ ONLY
205160080	DTU8 115V 60HZ 410A	\$2,470.00	205561350 205561355 205561300	STQ8-410A 115V 60HZ ONLY STX8-410A 115V 60HZ ONLY VTD8K-410A 115V 60HZ ONLY
205160100	DTU10 115V 60HZ 410A	\$2,695.00	205561450 205561455 205561400	STQ10-410A 115V 60HZ ONLY STX10-410A 115V 60HZ ONLY VTD10K-410A 115V 60HZ ONLY
205160120	DTU12 115V 60HZ 410A	\$2,775.00	205561550 205561555 205561500	STQ12-410A 115V 60HZ ONLY STX12-410A 115V 60HZ ONLY VTD12K-410A 115V 60HZ ONLY
205160160	DTU16 115V 60HZ 410A	\$2,905.00	205561750 205561755 205561700	STQ16-410A 115V 60HZ ONLY STX16-410A 115V 60HZ ONLY VTD16K-410A 115V 60HZ ONLY

115V 60HZ Turbo Units with Smart Start

205160063	DTU6 115V 60HZ 410A SMRTSTRT	\$2,730.00	205561203	VTD6K-410A 115V SMRTSTART
205160083	DTU8 115V 60HZ 410A SMRTSTRT	\$2,890.00	205561352 205561303	STQ8-410A 115V 60HZ SMRTSTRT VTD8K-410A 115V 60HZ W/SMRTST
205160103	DTU10 115V 60HZ 410A SMRTSTRT	\$3,115.00	205561452 205561403	STQ10-410A 115V SMRTSTRT-ONBX VTD10K-410A 115V SMRTSTART
205160123	DTU12 115V 60HZ 410A SMRTSTRT	\$3,195.00	205561552 205561556 205561503	STQ12-410A 115V SMRTSTRT-ONBX STX12-410A 115V 60HZ SMRTSTRT VTD12K-410A 115V SMRTSTART
205160163	DTU16 115V 60HZ 410A SMRTSTRT	\$3,325.00	205561753 205561756 205561705	STQ16-410A 115V SMRTSTRT-ONBX STX16-410A 115V 60HZ SMRTSTRT VTD16K-410A 115V 60HZ SMRTSTR

220V 50HZ Turbo Units with Hose Adapter

205161061	DTU6 220V 50HZ 410A 4MR	\$2,540.00	205562201 205562251	VTD6KZ50-410A 7'AS 4"MR 220V/5 STQ6CK-410A 4"MR 220V/50HZ
205161081	DTU8 220V 50HZ 410A 5MR	\$2,680.00	205562301 205562351	VTD8KZ50-410A 7'AS 5MR 220/50 STQ8CK-410A 5MR 220V 50HZ
205161101	DTU10 220V 50HZ 410A 6MR	\$2,875.00	205562401 205562451 205562402	VTD10KZ50-410A 7'AS 6MR 220/5 STQ10CK-410A 6"MR 220V 50HZ VTD10KZ50-410A 6"MR 220V 50HZ
205161121	DTU12 220V 50HZ 410A 6MR	\$2,975.00	205562551 205562501	STQ12CK-410A 6MR 220V 50HZ VTD12KZ50-410A 7'AS 6MR 220/5
205161161	DTU16 220V 50HZ 410A 7MR	\$3,285.00	205562701 205562751 205562756	VTD16KZ50-410A 7'AS 7"MR 220V/ STQ16CK-410A 7"MR 220V 50HZ STX16CK-410A 7"MR 220V 50HZ

Self-Contained Air Conditioning

230V 60HZ Turbo Units				
NEW DOMETIC P/N	New Description	LIST PRICE (USD)	Replaces Cruisair & Marine Air P/N	Old Description
205162060	DTU6 230V 60HZ 410A	\$2,415.00	205563250 205563255 205563200	STQ6C-410A 230V 60HZ STX6C-410A 230V 60HZ VTD6KZ-410A 230V 60HZ
205162080	DTU8 230V 60HZ 410A	\$2,500.00	205563350 205563355 205563300	STQ8C-410A 230V 60HZ STX8C-410A 230V 60HZ VTD8KZ-410A 230V 60HZ
205162100	DTU10 230V 60HZ 410A	\$2,710.00	205563450 205563455 205563400	STQ10C-410A 230V 60HZ STX10C-410A 230V 60HZ VTD10KZ-410A 230V 60HZ
205162120	DTU12 230V 60HZ 410A	\$2,790.00	205563550 205563555 205563500	STQ12C-410A 230V 60HZ STX12C-410A 230V 60HZ VTD12KZ-410A 230V 60HZ
205162160	DTU16 230V 60HZ 410A	\$2,935.00	205563750 205563755 205563700	STQ16C-410A 230V 60HZ STX16C-410A 230V 60HZ VTD16KZ-410A 230V 60HZ
230V 60HZ Turbo Units with Hose Adapter				
205162061	DTU6 230V 60HZ 410A 4MR	\$2,540.00	205563202	VTD6KZ-410A 7'AS 4"MR 230V 60H
205162081	DTU8 230V 60HZ 410A 5MR	\$2,625.00	205563301 205563351	VTD8KZ-410A 7'AS 5"MR 230V/60 STQ8C-410A 5"MR 230V 60HZ
205162101	DTU10 230V 60HZ 410A 6MR	\$2,835.00	205563401 205563451	VTD10KZ-410A 6"MR 230V/60 STQ10C-410A 6"MR 230V 60HZ
205162121	DTU12 230V 60HZ 410A 6MR	\$2,915.00	205563552 205563501	STQ12C-410A 6"MR 230V 60HZ VTD12KZ-410A AS 6"MR 230V/6
205162161	DTU16 230V 60HZ 410A 7MR	\$3,060.00	205563702 205563753	VTD16KZ-410A AS 7"MR 230/60 STQ16C-410A 7"MR 230V 60HZ
230/220V Turbo Units with Smart Start				
205162123	DTU12 230V 60HZ 410A SMRTSTRT	\$3,210.00	205563503	VTD12KZ-410A 230V SMRTSTART
205162163	DTU16 230V 60HZ 410A SMRTSTRT	\$3,355.00	205563760 205563703	STQ16C-410A 230V SMRTSTRT-ONBX VTD16KZ-410A 230V 60HZ SMRTST
205161123	DTU12 220V 50HZ 410A SMRTSTRT	\$3,295.00	205562503	VTD12KZ50-410A SMRTSTART
205161163	DTU16 220V 50HZ 410A SMRTSTRT	\$3,580.00	205562703	VTD16KZ50-410A SMRTSTART
Aluminum RA Plenums for Turbo Units				
Item No.	List Price USD	Description		
229801121	\$175.00	Plenum ALM RA TURBO 6/8K No Ring		
229801129	\$310.00	Plenum ALM RA TURBO 6/8K 10"MR		
229801093	\$205.00	Plenum ALM RA TURBO 10/12K No Ring		
229801094	\$270.00	Plenum ALM RA TURBO 10/12K 12"MR		
229801257	\$205.00	Plenum ALM RA TURBO 14/16K No Cut/No Ring		
229801124	\$210.00	Plenum ALM RA TURBO 14/16K No Ring		
229801095	\$280.00	Plenum ALM RA TURBO 14/16K 12"MR		

Self-Contained Air Conditioning

Dometic Compact Units (DCU) are direct replacements for all SQUF, SXUF, VCD and SVCD units. All units include stainless steel drain pan, mounted elec. box and 5' temp sensor.

NEW DOMETIC P/N	New Description	LIST PRICE (USD)	Replaces Cruisair & Marine Air P/N	Old Description
205600818	DCU18K 115V 60HZ 410A	\$3,845.00	205511700 205410020 205410005 205410006	SQUF18-HV-410A RTBX 115V 60HZ SXUF18-HV 410A RMTBX 60HZ ONLY VCD18K-HV-410A 115V SVCD18K-HV-410A 115V
205600820	DCU18K 220V 50HZ 410A 7"MR	\$4,045.00	205410018 205410032 205410030 205410029	SQUF18CK-HV 410A RMBX 220V 50 SXUF18CK/1-HV 410A RMTBX 220V 50 VCD18KZ50-HV-410A 220V SVCD18KZ50-HV-410A 220V
205600803	DCU27K 220V 50HZ 410A 8"MR	\$5,190.00	205410016 205410015 205410070	SQUF27CK-HV 410A RTBX 220V 50 VCD27SZ50-HV-410A 220V 50HZ SXUF27CK-HV 410A RMTBX 220V 50
205600873	DCU30K 220V 50HZ 410A HRST HRZ/OP 6"MR	\$6,580.00	205511931	SVCD30SZ50/1-HV 410A 6"MR 220
205600819	DCU18K 230V 60HZ 410A	\$3,845.00	205511702 205410034 205410010 205410009	SQUF18C-HV-410A RMTBX 230V SXUF18C-HV-410A RMTBX 230V VCD18KZ-HV-410A 230V SVCD18KZ-HV-410A 230V
205600827	DCU27K 230V 60HZ 410A	\$4,945.00	205511800 205410036 205410000 205511806	SQUF27C-HV-410A RMTBX 230V SXUF27C-HV 410A RMTBX 230V VCD27SZ/1-HV 410A 230V SVCD27SZ/1-HV 410A 230V
205600830	DCU30K 230V 60HZ 410A HRST HRZ/OP 6"MR	\$5,930.00	205511930	SVCD30SZ/1-HV 410A 6"MR 230V

VIBRATION ISOLATION KITS & MOUNT RING 27K

Item Number	List Price (USD)	Description
293013215	\$145.00	KIT DCU18 VIB ISO 35LB
293013216	\$160.00	KIT DCU18 VIB ISO 45LB
228701034	\$42.00	Ring ABS Trans 8" Inside Flange

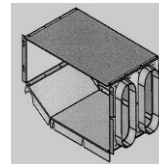
Dometic Low Profile Units (DLU) are direct replacements for all SQL, SXL, & VLD units

NEW DOMETIC P/N	New Description	LIST PRICE (USD)	Replaces Cruisair & Marine Air P/N	Old Description
205600601	DLU16K 115V 60HZ 410A	\$ 3,870.00	205511600 205511601 205410003	SQL16 410A LOW PROFILE 115V SXL16K LOW PROFILE 410A 115V VLD16K-410A LOW PROFILE 115V
205600603	DLU16K 220V 50HZ 410A	\$ 4,065.00	205410022 205511604 205510833	SQL16CK 410A LP 220V/50HZ SXL16CK-410A LOW PROFILE VLD16KZ50-410A LOW PROFIL 220
205600602	DLU16K 230V 60HZ 410A	\$ 3,865.00	205410012 205511605 205410013	SQL16C 410A LOW PROFILE 230V SXL16C-410A LOW PROFILE VLD16KZ-410A LOW PROFILE 230V

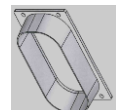
Dometic Low-Profile Plenums & Transition Ring

Item Number	List Price (USD)	Description
229000005	\$425.00	Plenum ALM 5" Rect@2 Side Discharge
229000006	\$300.00	Plenum ALM 5" OBX2 Up Flow
229000007	\$300.00	Plenum ALM 5" OBX2 Down Flow
228700089	\$37.00	Ring ABS Trans 5" OB Short Flange

229000005



228700089

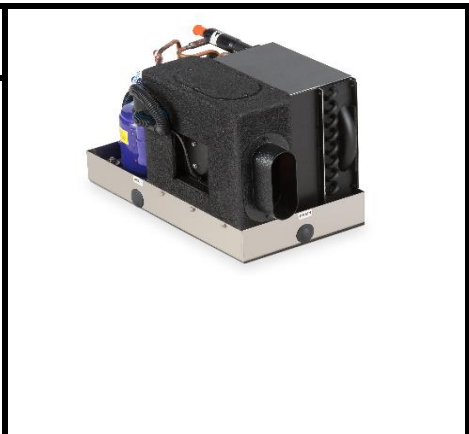


Self-Contained Air Conditioning

EnviroComfort Self Contained Units, R410A		
Item Number	List Price (USD)	Description
RETROFIT KITS (UNIT AND CONTROL)		
207500001	\$2,085.00	ECD3.5KC/1-HV 134A Kit, 115V 60Hz
207500306	\$2,095.00	ECD6K/1-HV 410A KIT, 115V 60Hz
207500310	\$2,325.00	ECD10K/1-HV 410A KIT, 115V 60Hz
207500316	\$2,495.00	ECD16K/1-HV 410A KIT, 115V 60Hz
207500307	\$2,250.00	ECD6KZ/1-HV 410A KIT, 230V 60Hz
207500010	\$2,405.00	ECD10KZ/1-HV 410A KIT, 230V 60Hz
207500017	\$2,525.00	ECD16KZ/1-HV 410A KIT, 230V 60Hz
INSTALLATION KIT (PUMP, GRILLES, DUCT, AND HARDWARE)		
218000106	\$1,130.00	Install Kit 6K ECD6K/1-HV
218000110	\$1,185.00	Install Kit 10K ECD10K/1-HV
218000116	\$1,265.00	Install Kit 16K ECD16K/1-HV
218000117	\$1,295.00	Install Kit 16KZ ECD16KZ/1-HV
DUAL DUCT KIT (EnviroCool and EnviroComfort)		
226600094	\$160.00	Dual Duct Kit 6K Enviro Units
226600092	\$160.00	Dual Duct Kit 10K & 16K Enviro Units



Cuddy II		
Item Number	List Price (USD)	Description
CUDDY II (UNIT ONLY)		
207501012	\$5,095.00	CDB3.5K-12VDC 134A 4"MR
218000120	\$1,575.00	Installation Kit CDB3.5K includes pump and OLED Display
222104040	\$555.00	OLED Gray 4-wire 12V T-STAT with harness CDB3.5
222104041	\$175.00	LCD White 5-wire 12V T-STAT with harness CDB3.5
339575	\$300.00	Pump 12VDC 1.5GPM Diaphragm

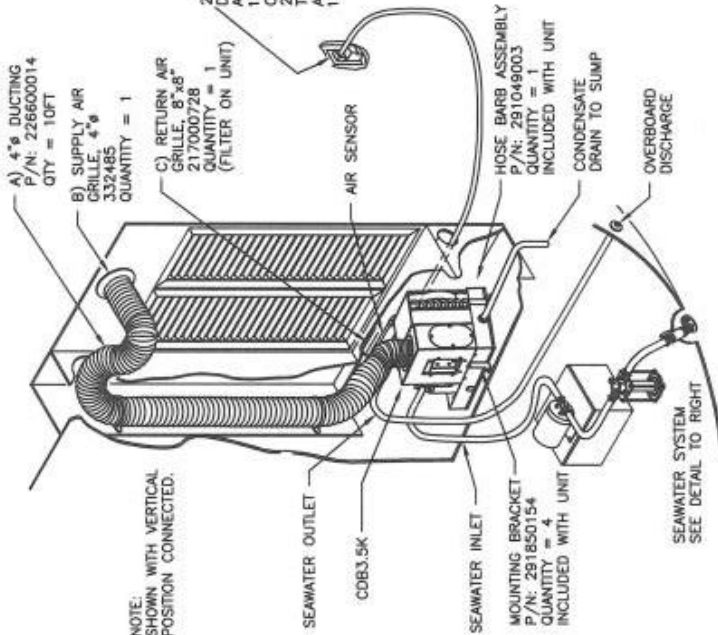


Self-Contained Air Conditioning

CDB3.5K INSTALLATION KITS

PROPRIETARY NOTE: THE INFORMATION CONTAINED WITHIN THIS DOCUMENT IS THE PROPERTY OF DOMESTIC CORPORATION. ANY ATTEMPT TO COPY OR DISTRIBUTE WITHOUT WRITTEN CONSENT FROM DOMESTIC CORPORATION SHALL BE CONSIDERED UNLAWFUL AND CAN BE CONTESTED IN A COURT OF LAW.

DUCT KIT INSTALLATION

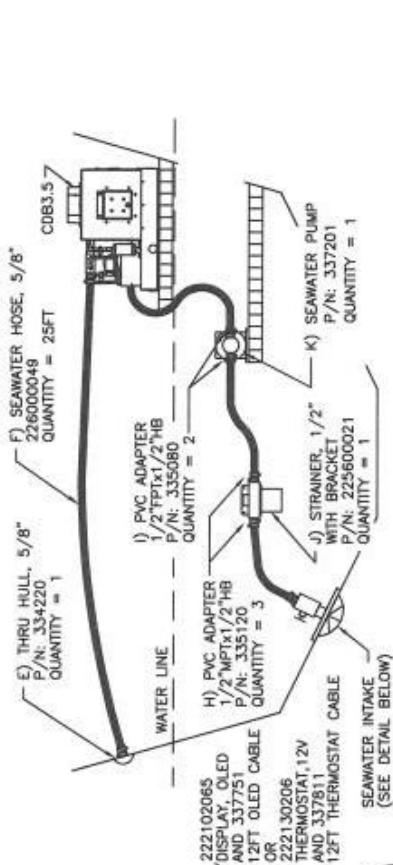


NOTE: SHOWN WITH VERTICAL POSITION CONNECTED.

DUCT KIT LEGEND QTY	P/N	DESCRIPTION
A 10FT	226600014	DUCTING, INSULATED 4"
B 1	332485	GRILL, SUPPLY, CIRCULAR 4"
C 1	217000728	8XB18A/F MF PAINTED WHITE

INSTALLATION NOTES:
 1) DO NOT INSTALL AIR CONDITIONER IN BILGE OR ENGINE ROOM AREAS THAT MAY BE EXPOSED TO ENGINE OR GENERATOR EXHAUST FLAMES. A/C UNIT MUST BE SEALED FROM ANY EXHAUST OR BILGE VAPORS.
 2) INSTALL RETURN AIR GRILLE LOW AND SUPPLY AIR GRILLE HIGH.
 3) SUPPLY AIR GRILLE SHOULD NOT BLOW TOWARD RETURN AIR GRILLE.
 4) DUCTING SHOULD BE INSTALLED AS SMOOTH AND TAUT AS POSSIBLE. TRIM ANY EXCESS, AVOID ANY UNNECESSARY BENDS OR LOOPS.

SEAWATER KIT INSTALLATION



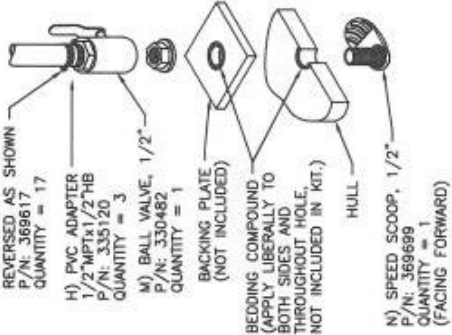
L) HOSE CLAMPS:

ALL HOSE CONNECTIONS IN SEAWATER SYSTEM TO BE DOUBLE CLAMPED. HOSE CLAMPS TO BE REVERSED AS SHOWN. P/N: 369817 QUANTITY = 17

SEAWATER KIT LEGEND QTY

E	F	H	I	J	K	L	M	N
1	25FT	335120	2	1	1	17	3	1

P/N	DESCRIPTION
334220	THRU HULL, 5/8" PLASTIC HOSE SEAWATER 5/8"
226000049	ADAPT, PVC 1/2" MPT X 1/2" HB
335120	ADAPT, PVC 1/2" TPT X 1/2" HB
335080	STRAINER W/BRACKET 1/2" FPT
225600021	PUMP, 12VDC 1.5GPM DIAPHRAGM
339575	CLAMP HOSE #06SS THIN
369817	BALL VALVE 1/2" SS HNDL (BRONZE)
330482	STRAINER, SPEED SCOOP 1/2" BRONZE



NOTES:

- SEAWATER SYSTEM MUST HAVE A STEADY UPWARD FLOW FROM INLET TO AIR CONDITIONER.
- HOSES MUST NOT HAVE KINKS, LOOPS OR HIGH SPOTS WHERE AIR CAN BE TRAPPED.
- PUMP AND STRAINER MUST BE BELOW WATER LINE AND STRAINER MUST BE BELOW PUMP.
- SPEED SCOOP SHOULD BE INSTALLED AS FAR BELOW THE WATER LINE AND AS CLOSE TO THE KEEL AS POSSIBLE, FACING FORWARD.
- AVOID OR MINIMIZE 90° BENDS OR ELBOWS AS MUCH AS POSSIBLE. ROTATE PUMP HEAD TOWARD DIRECTION OF WATER FLOW.
- ELECTRICAL CONNECTIONS SHOULD BE DONE BY QUALIFIED PERSONNEL ONLY.

REV	DATE	REVISION DESCRIPTION	DWG	APR

CDB3.5K

DATE: 12/12/14 DWG BY: [signature] SCALE: NTS APR BY: [signature]

PART NUMBER: M1030143 20.1.

Emerald Split Gas Condensing Units

Dometic Emerald Units, R410A

The DEU units are direct replacements for all ED and EQ units.

NEW DOMETIC P/N	New Description	LIST PRICE (USD)	Replaces Cruisair & Marine Air P/N	Old Description
115V 60HZ				
201150060	DEU6 115V 60HZ	\$2,540.00	712206100 712106100	ED6U-410 115V/60/1 EQ6U-410 115V/60/1
201150080	DEU8 115V 60HZ	\$2,555.00	712208100 712108100	ED8U-410 115V/60/1 EQ8U-410 115V/60/1
201150100	DEU10 115V 60HZ	\$2,720.00	712210100 712110100	ED10U-410 115V/60/1 EQ10U-410 115V/60/1
201150120	DEU12 115V 60HZ	\$2,795.00	712212100 712112100	ED12U-410 115V/60/1 EQ12U-410 115V/60/1
201150160	DEU16 115V 60HZ	\$2,905.00	712216100 712116100	ED16U-410 115V/60/1 EQ16U-410 115V/60/1
230V 60HZ				
201152060	DEU6 230V 60HZ	\$2,540.00	712206200 712106200	ED6-410 230V/60/1 EQ6U-410 230V/60/1
201152080	DEU8 230V 60HZ	\$2,555.00	712208200 712108200	ED8U-410 230V/60/1 EQ8U-410 230V/60/1
201152100	DEU10 230V 60HZ	\$2,720.00	712210200 712110200	ED10U-410 230V/60/1 EQ10U-410 230V/60/1
201152120	DEU12 230V 60HZ	\$2,795.00	712212200 712112200	ED12U-410 230V/60/1 EQ12U-410 230V/60/1
201152160	DEU16 230V 60HZ	\$2,905.00	712216200 712116200	ED16U-410 230V/60/1 EQ16U-410 230V/60/1
201152240	DEU24 230V 60HZ	\$4,150.00	712224200 712124200	ED24U-410 230V/60/1 EQ24U-410 230V/60/1
201152300	DEU30 230V 60HZ	\$4,645.00	712230200 712130200	ED30U-410 230V/60/1 EQ30U-410 230V/60/1
201152360	DEU36 230V 60HZ	\$4,985.00	712236200 712136200	ED36U-410 230V/60/1 EQ36U-410 230V/60/1
201152480	DEU48 230V 60HZ	\$5,620.00	712248200 712148200	ED48-410 230V/60/1 EQ48U-410 230V/60/1
230V 60HZ with Smart Start				
201152123	DEU12 230V 60HZ SMRTSTRT	\$3,245.00	712212202	ED12U-410 230V/60/1 SMRTSTRT
201152163	DEU16 230V 60HZ SMRTSTRT	\$3,355.00	712216203	ED16U-410 230V/60/1 SMRTSTRT
201152243	DEU24 230V 60HZ SMRTSTRT	\$4,600.00	712224201 712124203	ED24U-410 230V/60/1 SMRTSTRT EQ24-410 230V/60/1 SMRTSTRT
201152303	DEU30 230V 60HZ SMRTSTRT	\$5,095.00	712230201 712130202	ED30U-410 230V/60/1 SMRTSTRT EQ30U-410 230V/60/1 SMRTSTRT
201152363	DEU36 230V 60HZ SMRTSTRT	\$5,435.00	712236201 712136201	ED36U-410 230V/60/1 SMRTSTRT EQ36U-410 230V/60/1 SMRTSTRT
201152483	DEU48 230V 60HZ SMRTSTRT	\$6,070.00	712248203 712148201	ED48-410 230V/60/1 SMRTSTRT EQ48-410 230V/60/1 SMRTSTRT

Emerald Split Gas Condensing Units

Dometic Emerald Units, R410A

The DEU units are direct replacements for all ED and EQ units.

NEW DOMETIC P/N	New Description	LIST PRICE (USD)	Replaces Cruisair & Marine Air P/N	Old Description
220V 50HZ				
201151060	DEU6 220V 50HZ	\$2,605.00	712206300 712106300	ED6-410 220V/50/1 EQ6-410 220V/50/1
201151080	DEU8 220V 50HZ	\$2,620.00	712208300 712108300	ED8-410 220V/50/1 EQ8-410 220V/50/1
201151100	DEU10 220V 50HZ	\$2,775.00	712210300 712110300	ED10-410 220V/50/1 EQ10-410 220V/50/1
201151120	DEU12 220V 50HZ	\$2,865.00	712212300 712112300	ED12-410 220V/50/1 EQ12-410 220V/50/1
201151160	DEU16 220V 50HZ	\$3,020.00	712216300 712116300	ED16-410 220V/50/1 EQ16-410 220V/50/1
201151240	DEU24 220V 50HZ	\$4,230.00	712224300 712124300	ED24-410 220V/50/1 EQ24-410 220V/50/1
201151300	DEU30 220V 50HZ	\$4,775.00	712230300 712130300	ED30-410 220V/50/1 EQ30-410 220V/50/1
201151360	DEU36 220V 50HZ	\$5,115.00	712236300 712136300	ED36-410 220V/50/1 PASSPORT EQ36-410 220V/50/1
201151480	DEU48 220V 50HZ	\$5,640.00	712248300 712148300	ED48-410 220V/50/1 PASSPORT EQ48-410 220V/50/1
201151600	DEU60 220V 50HZ	\$6,880.00	712260300 712160300	ED60-410 220V/50/1 PASSPORT EQ60-410 220V/50/1
201151720	DEU72 220V 50HZ	\$7,715.00	712172300	EQ72-410 220V/50/1 Q-LOGIC
220V 50HZ with Smart Start				
201151121	DEU12 220V 50HZ SMRTSTRT	\$3,315.00	712212301	ED12-410 220V/50/1 SMRTSTRT
201151163	DEU16 220V 50HZ SMRTSTRT	\$3,470.00	712216301	ED16-410 220V/50/1 SMRTSTRT
201151243	DEU24 220V 50HZ SMRTSTRT	\$4,680.00	712224301	ED24-410 220V/50/1 SMRTSTRT
201151303	DEU30 220V 50HZ SMRTSTRT	\$5,225.00	712230301	ED30-410 240V/50/1 SMRTSTRT
201151363	DEU36 220V 50HZ SMRTSTRT	\$5,565.00	712236301	ED36-410 220V/50/1 SMRTSTRT
201151483	DEU48 220V 50HZ SMRTSTRT	\$6,090.00	712248302	ED48-410 220V/50/1 SMRTSTRT
380V 50HZ 3 PHASE				
201153243	DEU24 380V 50HZ 3 PHASE	\$4,420.00	712224600 712124600	ED24-410 380V/50/3 PASSPORT EQ24U-410 380V/50/3
201153303	DEU30 380V 50HZ 3 PHASE	Call for Pricing	712230600	ED30-410 380V/50/3 PASSPORT
201153363	DEU36 380V 50HZ 3 PHASE	\$5,425.00	712236600 712136600	ED36-410 380V/50/3 PASSPORT EQ36U-410 380V/50/3
201153483	DEU48 380V 50HZ 3 PHASE	\$6,280.00	712248600 712148600	ED48U-410 380V/50/3 EQ48-410 380V/50/3 Q-LOGIC
201153603	DEU60 380V 50HZ 3 PHASE	Call for Pricing	712160600	EQ60U-410 380V/50/3
201153723	DEU72 380V 50HZ 3 PHASE	\$8,025.00	712272500 712172600	ED72-410 380V/50/3 I/O PSPRT EQ72U-410 380V/50/3

Split Gas Evaporators

Emerald Series TurboVap Units, R410A

Item Number	List Price (USD)	Description
215612000	\$1,100.00	TVE4, R410A 115V
215612100	\$1,100.00	TVE6, R410A 115V
215612200	\$1,100.00	TVE8, R410A 115V
215612300	\$1,150.00	TVE10, R410A 115V
215612400	\$1,180.00	TVE12, R410A 115V
215612500	\$1,255.00	TVE16, R410A 115V
215613000	\$1,100.00	TVE4, R410A 230V
215613100	\$1,100.00	TVE6, R410A 230V
215613200	\$1,100.00	TVE8, R410A 230V
215613300	\$1,150.00	TVE10, R410A 230V
215613400	\$1,180.00	TVE12, R410A 230V
215613500	\$1,255.00	TVE16, R410A 230V



Emerald Series TurboVap Units, R410A w/Hose Adapter

215613005	\$1,130.00	TVE4, R410A 4"MR 230V
215613105	\$1,130.00	TVE6, R410A 5"MR 230V
215613205	\$1,130.00	TVE8, R410A 5"MR 230V
215613305	\$1,180.00	TVE10, R410A 6"MR 230V
215613405	\$1,210.00	TVE12, R410A 6"MR 230V
215613505	\$1,290.00	TVE16, R410A 7"MR 230V

Note: TVE units also available with right hand configuration. Call part number and pricing.

EBE Series Evaporator Units, R410A

Item Number	List Price (USD)	Description
215400518	\$2,620.00	EBE18-230V, 50/60Hz
215400524	\$2,985.00	EBE24-230V, 50/60Hz
215400530	\$3,205.00	EBE30-230V, 50/60Hz
215400536	\$3,430.00	EBE36-230V, 50/60Hz



*Note: EBE and EBLE also available in some models with electric heat. Call availability and pricing.

EBLE Low Profile Draw-Through Series Evaporator Units, R410A

Item Number	List Price (USD)	Description
215400412	\$2,725.00	EBLE12-230V, 2 HV Blowers
215400415	\$2,840.00	EBLE16-115V, 2 HV Blowers
215400416	\$2,840.00	EBLE16-230V, 2 HV Blowers
215400424	\$3,300.00	EBLE24-230V, 2 HV Blowers
215400430	\$3,570.00	EBLE30-230V, 2 HV Blowers
215400436	\$3,815.00	EBLE36-230V, 2 HV Blowers
EBLE Units with Plenum Installed		
215400417	\$3,340.00	EBLEP16-230V, with Plenum
215400425	\$3,730.00	EBLEP24-230V, with Plenum
215400431	\$4,190.00	EBLEP30-230V, with Plenum, 1/2" Ins
215400437	\$4,370.00	EBLEP36-230V, with Plenum



EDLE The Breeze Low Profile Evaporator Units, R410A

Item Number	List Price (USD)	Description
215400316	\$2,425.00	EDLE16-230V, Low Profile Evap
215400319	\$2,700.00	EDLE16-QD 230V, Low Profile Evap



Split Gas Evaporators

EBDE Direct-Drive Cooling Units, R410A

Item Number	List Price (USD)	Description
215400636	\$4,235.00	EBDE36V-230V, Vertical Discharge
215400648	\$4,370.00	EBDE48V-230V, Vertical Discharge
215400660	\$4,825.00	EBDE60V-230V, Vertical Discharge
215400673	\$5,070.00	EBDE72V-220V, Vertical Discharge

*Note: Some sizes available in horizontal discharge. Call availability and pricing.



EDL The Breeze Low Profile Evaporator Units, R417A

Item Number	List Price (USD)	Description
215311770	\$2,405.00	EDL16, Low Profile Evap 115V
215311870	Call for Pricing	EDL16C, Low Profile Evap 230V



TurboVap Units, R417A

Item Number	List Price (USD)	Description
215412000	\$1,355.00	TV4, R-417A , 115V
215412100	\$1,355.00	TV6, R-417A , 115V
215412200	\$1,355.00	TV8, R-417A , 115V
215412300	\$1,405.00	TV10, R-417A , 115V
215412400	\$1,440.00	TV12, R-417A , 115V
215412500	\$1,540.00	TV16, R-417A , 115V
215413000	\$1,355.00	TV4, R-417A , 230V
215413100	\$1,355.00	TV6, R-417A , 230V
215413200	\$1,355.00	TV8, R-417A , 230V
215413300	\$1,405.00	TV10, R-417A , 230V
215413400	\$1,440.00	TV12, R-417A , 230V
215413500	\$1,540.00	TV16, R-417A , 230V



Note: TV units also available with right hand configuration. Call part number and pricing.

Accessories TurboVap Units

Item No.	List Price USD	Description
221300318	\$230.00	3' 1/4 x 3/8 ins fl2 (TurboVap 4-12K)
221300319	\$240.00	3' 3/8 x 1/2 ins fl2 (TurboVap 16K)
229801627	\$135.00	Plenum ALM RA TV4K 8" Ring
229801520	\$185.00	Plenum ALM RA TV6/8K 10" Ring
229000038	\$210.00	Plenum ALM RA TV10/12K 12" Ring
229000034	\$220.00	Plenum ALM RA TV16K 12" Ring

Dometic Air-Cooled Units

DuraSea Rooftop (Air-Cooled A/C)

Item Number	List Price (USD)	Description
489516AXX1C0	\$1,800.00	DuraSea Rooftop, 15K, 115V, Polar White
3107206.017	\$155.00	Air Distribution Kit, Polar White
3314998.000	\$65.00	Heat Kit Complete, 120V*
*Note: The below Air Distribution Kit should be used when using the Heat Kit.		
3314851.000	\$140.00	Air Distribution Kit, Polar White
83341AXX1C0	\$2,000.00	Rooftop, 12K, 220V 50HZ, Polar White
3315364.000	\$175.00	Heat Kit Complete, 240V, 1.5KW
3314855.000	\$215.00	Air Distribution Kit, Universal, Polar White
3309364.002	\$120.00	Rooftop Cover Replacement Kit, Polar White



Jackboat Air-Cooled Unit

Item Number	List Price (USD)	Description
202000601	\$8,920.00	SSA16KZ 1.5KW 410A w/ Electric Box



Radome Units Air-Cooled A/C (for cooling of radar/communication domes)

Call for more information

Item Number	List Price (USD)	Description
Radome Units Internally Mounted		
202000409	\$6,440.00	HSA16UKC/2 417A 115V
202000404	\$6,690.00	HSA16UKC/2 417A 115V with Cord
202000403	\$6,590.00	HSA16UKCZ/1-417A 230V
202000402	\$6,740.00	HSA16UKCZ/1-417A 230V with Cord
202000406	\$6,860.00	HSA16UKCZ50/1-417A 220V/50Hz
Radome Units Externally Mounted with Remote Displays		
202000408	\$6,600.00	HSA16UKC/2 417A 115V 5" Duct 20' Display Cable
202000405	\$6,820.00	HSA16UKCZ/1-417A 230V 5" Duct 20' Display Cable
202000407	\$6,875.00	HSA16UKCZ50/1-417A 220V 5" Duct 20' Display Cable



Dometic Air-Cooled Units

DuraSea Condensing Unit Model Number Nomenclature

D C A 0 3 6 A 4 6 6 3 C 0 A A

DuraSea Condensing Unit

Refrigerant Type
 A = R410A
 B = R417A

Nominal Tonnage
 030 = 2.5 Tons
 036 = 3 Tons
 048 = 4 Tons
 060 = 5 Tons

072 = 6 Tons
 090 = 7.5 Tons
 120 = 10 Tons

Control Type
 A = None -use with 24VAC Thermostat
 Q = Unity Control

Voltage
 2361 = 230V/60/1
 2251 = 220V/50/1
 2363 = 208-230V/60/3
 4663 = 460V/60/3
 4053 = 400V/50/3
 3853 = 380V/50/3

Options

- A = None
- B = Nema 4x electric Box & heat shrunk electric connections
- C = Low ambient Fan Cycling Control
- D = Phase Monitor
- E = Valve Fan Side (VFS) - standard on 7.5/10 ton models
- F = Variable Frequency Drive
- G = Crankcase Heater
- H = Suction Accumulator
- I = Reserved for future use
- J = Reserved for future use

- K = Combination of options B, C, D, G, and H
- L = Combination of options B and D
- M = Combination of options B, C, and D
- N = Combination of options B, C, D and H
- P = Combination of options B and G
- R = Combination of options B, C, and F

Design Revision
 A = Initial Rev

Not Used
 0 = Not Used

Coil Options
 A = Al Fin/Copper Tube
 B = E-Coat Al Fin/Copper Tube
 C = Copper Fin/Tube



Dometic Air-Cooled Units

DURASEA CONDENSING UNITS BASE MODELS

410A - Uncoated Aluminum Finned/Copper tube Condenser (Coil Option A)		
Base Size	List Price (USD)	DESCRIPTION
DCA036A	\$7,990.00	DuraSea 36,000 BTU, R410A
DCA048A	\$8,190.00	DuraSea 48,000 BTU, R410A
DCA060A	\$9,190.00	DuraSea 60,000 BTU, R410A
DCA072A	\$9,390.00	DuraSea 72,000 BTU, R410A
DCA090A	\$11,590.00	DuraSea 90,000 BTU, R410A
DCA120A	\$12,790.00	DuraSea 120,000 BTU, R410A

410A - ElectroFin® E-Coat Aluminum Finned/Copper tube Condenser (Coil Option B)		
Base Size	List Price (USD)	DESCRIPTION
DCA036A	\$8,390.00	DuraSea 36,000 BTU, R410A
DCA048A	\$8,590.00	DuraSea 48,000 BTU, R410A
DCA060A	\$9,990.00	DuraSea 60,000 BTU, R410A
DCA072A	\$10,190.00	DuraSea 72,000 BTU, R410A
DCA090A	\$12,790.00	DuraSea 90,000 BTU, R410A
DCA120A	\$13,990.00	DuraSea 120,000 BTU, R410A

410A - Copper Finned/Copper Tube Condenser (Coil Option C)		
Base Size	List Price (USD)	DESCRIPTION
DCA036A	\$8,990.00	DuraSea 36,000 BTU, R410A
DCA048A	\$9,190.00	DuraSea 48,000 BTU, R410A
DCA060A	\$11,190.00	DuraSea 60,000 BTU, R410A
DCA072A	\$11,390.00	DuraSea 72,000 BTU, R410A
DCA090A	\$14,590.00	DuraSea 90,000 BTU, R410A
DCA120A	\$15,790.00	DuraSea 120,000 BTU, R410A

The below options are available as an adder to the base unit list. See previous page description of options.

Options and Adders	36K - 48K	60K - 72K	90K - 120K
380/50HZ units	\$175.00	\$250.00	\$300.00
Option B	\$650.00	\$650.00	\$650.00
Option C	\$275.00	\$275.00	\$275.00
Option D	\$175.00	\$175.00	\$175.00
Option E	\$375.00	\$375.00	N/A
Option F	Call for Price	Call for Price	Call for Price
Option G	\$155.00	\$155.00	\$155.00
Option H	\$550.00	\$550.00	\$800.00
<u>Combinations:</u>			
Option K	\$1,805.00	\$1,805.00	\$2,055.00
Option L	\$825.00	\$825.00	\$825.00
Option M	\$1,100.00	\$1,100.00	\$1,100.00
Option N	\$1,650.00	\$1,650.00	\$1,900.00
Option P	\$805.00	\$805.00	\$805.00
Option R	Call for Price	Call for Price	Call for Price

24VAC Electric Box		
Item Number	List Price (USD)	Description
203000008	\$350.00	Electric Box DCA 24VAC T-STAT
203000011	\$380.00	Electric Box DCA 24VAC T-STAT w/Contactor
24VAC Electric Box with Heat		
203000010	Call for Pricing	Electric Box DCA 24VAC TS 1PH Heat
203000009	Call for Pricing	Electric Box DCA 24VAC TS 3PH Heat

Note: Use these transformer boxes when applying DuraSea units along with AHU's that do not include 24VAC transformers.

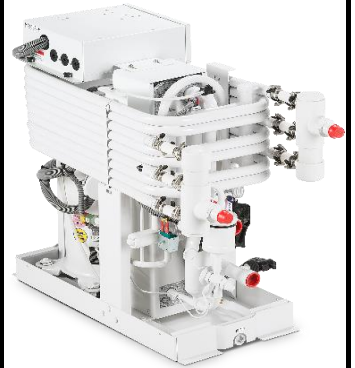
Chiller Units and Modules

VARIABLE CAPACITY CHILLER					
Item Number	List Price (USD)	Description			
260160001	\$11,995.00	VARC48 208-230/50 or 60/1			
260160006	\$14,500.00	VARC72 208-230/50 or 60/1			
Bases and Manifolds					
Chiller Tons	Manifold Set	Base	Varc Size	Manifold Size	# of Stages
8	\$2,845.00	\$1,525.00	VARC48	1.5	2
12	\$4,425.00	\$1,820.00	VARC48	2	3
16	\$5,305.00	\$2,200.00	VARC48	2	4
16	\$5,125.00	\$2,200.00	VARC48	2	4
20	\$6,495.00	\$2,650.00	VARC48	2.5	5
24	\$6,890.00	\$3,125.00	VARC48	2.5	6
12	\$3,835.00	\$1,625.00	VARC72	2	2
18	\$4,425.00	\$1,920.00	VARC72	2	3
24	\$5,895.00	\$2,300.00	VARC72	2.5	4
30	\$6,495.00	\$2,750.00	VARC72	2.5	5
36	\$11,595.00	\$3,225.00	VARC72	3	6



Note: SW is SCH80 PVC, CW is Copper

MCGX Base Units with PLC					
2361/2251 with Smart Start		2363/2253/4663		3853	
Chiller k BTU	List Price (USD)	Chiller k BTU	List Price (USD)	Chiller k BTU	List Price (USD)
36	\$11,050.00	36	\$10,700.00	36	\$10,800.00
48	\$11,550.00	48	\$11,200.00	48	\$11,300.00
60	\$12,650.00	60	\$12,300.00	60	\$12,400.00
72	\$13,550.00	72	\$13,200.00	72	\$13,300.00
MCGX Base Units with PLC 90k-180K					
90	N/A	90	\$17,750.00	90	\$17,850.00
120	N/A	120	\$19,550.00	120	\$19,650.00
150	N/A	150	\$28,250.00	150	\$28,350.00
180	N/A	180	\$28,550.00	180	\$30,250.00



MCGXLP Base Units with PLC					
2361/2251 with Smart Start		2363/2253/4663		3853	
Chiller k BTU	List Price (USD)	Chiller k BTU	List Price (USD)	Chiller k BTU	List Price (USD)
36	\$12,250.00	36	\$11,900.00	36	\$12,000.00
48	\$12,750.00	48	\$12,400.00	48	\$12,500.00
60	\$13,750.00	60	\$13,400.00	60	\$13,500.00
72	\$15,150.00	72	\$14,800.00	72	\$14,900.00



TWCX Base Units with PLC					
2361/2251 with Smart Start		2363/2253/4663		3853	
Chiller k BTU	List Price (USD)	Chiller k BTU	List Price (USD)	Chiller k BTU	List Price (USD)
30	\$7,250.00	30	\$6,900.00	30	\$7,000.00
36	\$7,650.00	36	\$7,300.00	36	\$7,400.00
48	\$9,350.00	48	\$9,000.00	48	\$9,300.00
60	\$10,150.00	60	\$9,800.00	60	\$9,900.00
72	\$11,150.00	72	\$10,800.00	72	\$10,900.00



Chiller Units and Modules

PLC CONTROL PANEL STANDARD PACKAGE

# of Stages	208-230V 1ph	208-230V 3ph	380-460V 3ph
2	\$10,000.00	\$10,700.00	\$10,900.00
3	\$12,200.00	\$13,300.00	\$13,800.00
4	\$14,300.00	\$15,200.00	\$15,700.00
5	\$16,000.00	\$16,900.00	\$18,300.00
6	\$17,700.00	\$19,200.00	\$19,800.00

Notes:

1. The Standard Package includes the standard PLC PGD1 controller.
Does not support Touchscreens.
3. Above Pricing includes circuit breakers and relays for compressors, single CW & SW pumps
4. 380-460V panels include a transformer for control power
5. Does not support touch screen or remote connectivity.



PLC CONTROL PANEL PLATINUM PACKAGE

# of Stages	208-230V 1ph-3ph	380-460V 3ph	208-230V 1ph-3ph	380-460V 3ph
	7" PLC Colored Touch Screen	7" PLC Colored Touch Screen	13" PLC Colored Touch Screen	13" PLC Colored Touch Screen
2	\$14,200.00	\$14,400.00	\$16,900.00	\$17,200.00
3	\$16,800.00	\$17,200.00	\$19,600.00	\$20,000.00
4	\$20,200.00	\$20,700.00	\$23,000.00	\$23,500.00
5	\$21,800.00	\$23,200.00	\$24,600.00	\$26,000.00
6	\$24,100.00	\$24,700.00	\$26,900.00	\$27,500.00

Notes:

1. Available with 7" or 13" colored touch screen.
2. Above Pricing includes circuit breakers and relays for compressors, single CW & SW pumps
3. 380-460V panels include a transformer control power
4. See below for Upgrade Options

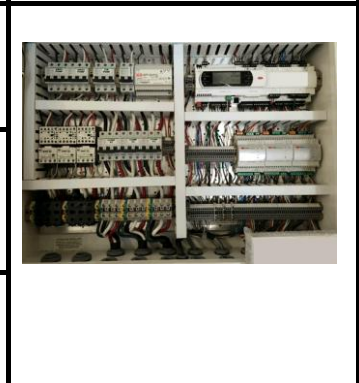


PLC Panel Platinum Package Upgrades

# of Stages	Upgrade 1	Upgrade 2	Platinum List Price (Upgrade 1 & 2)
2	\$3,400.00	\$1,300.00	\$4,700.00
3	\$5,000.00	\$1,400.00	\$6,300.00
4	\$6,900.00	\$2,200.00	\$9,000.00
5	\$8,400.00	\$2,300.00	\$10,600.00
6	\$9,600.00	\$2,500.00	\$11,900.00

Upgrade 1 Includes: Pressure transducers and temp sensors to monitor refrigerant pressure and temp - which will be installed on modules from factory if ordered.

Upgrade 2 Includes: Chilled Water and Sea Water pump current single monitoring, compressor amperage without VFD communication. Additional pumps extra.



Optional Features	Required	Adder
Variable SW pump	level 1 upgrade/VFD(S)	\$500.00
Load Banking	Immersion Heat	\$500.00
Condenser Temp Monitoring	Temp sensors	\$500.00
SW/CW Pressure	transducers/cable	\$635.00
Load Shedding	none	\$500.00
Stage SW Pump	Panel contactors	2 stages \$945.00 3 stages \$1,535.00
Stage SW Pump 3ph	Panel contactors	2 stages \$1,320.00 3 stages \$2,285.00
Stage SW Pump current only	Current transducer	2 stages \$745.00 3 stages \$940.00
2-speed compressor	none	\$500.00
VFD communication	VFDs	\$500.00

Chiller Units and Modules

PLC Panel Optional Additional Parts		
Description	List Price (USD)	
7inch Touch Screen	\$2,000.00	
13inch Touch Screen	\$4,850.00	
PLDPro PLC Small Display	\$320.00	
PGD1 Remote PLC Display	\$555.00	
Cable 9 pin to 3 pin 13" display	\$105.00	
Splitter multiple PGD1 displays	\$70.00	
Spare pump selector switch, 1-Phase (with contactor):	\$500.00	each
Spare pump selector switch, 3-Phase (with relay & overload):	\$825.00	each
Extend harness (10' std, up to 30'):	\$260.00	per stage
Dual power input (split-bus):	\$255.00	
Dual doors (wide panels):	\$685.00	
Mount panel on chiller frame:	\$365.00	
Water Pressure Transducer	\$767.00	each
Electronic Expansion Valve Platinum PLC Upgrade 1 (with new chiller module) Adders:		
EEV 2 to 8 Ton Chillers	\$165.00	
EEV 10 Ton Chillers and Up	\$450.00	

PLC Parts Descriptions	
PLC	Main control with embedded display for operation, one per 3 stages. If touch screen is not used, the user has the option of using the embedded screen on the PLC or a remote display (337420), which mirrors the main PLC.
Touchscreen	Graphical display(s), Required if remote connectivity is desired for remote operation and diagnosis. Platinum series only.
Current Transducer	Used to monitor the amperage of compressors and (or) pumps, for display and fault sensing.
Pressure Transducer	Monitors the refrigerant pressure or water pressure for display and fault sensing.

STIIC		
Item No.	List Price (USD)	Description
263400309	\$5,405.00	KIT CNTL STIIC PLC-7" E/BOX Includes Control for--6-stage chiller, 10-airhandler or DX controls with canbus, 2-Eskimo Ice, 6-KRA units, 18-Cooler box controls, 2-XTC Watermakers, 2-ZTC Spot Zero Water Purifiers (Option to upgrade up to 40 airhandler or DX Controls with canbus
298001699	\$1,270.00	ADF converter Modbus to Canbus USED with STIIC for talking to Canbus Controllers

PLC-OTS Electric Boxes for PLC Chiller Modules (MARINE AIR ONLY)		
<p>This electric box can be used with 2 to 6 stage MCG chillers with PLC controls as either a field retrofit (see notice below) or it can be ordered with a new chiller. The box contains the, SW & CW pump contactors (and overloads if 3 ph), a term. block for pump & power connections, PGD1 White Dometic display in the lid. Circuit breakers are not included.</p> <p>Order parts from the lists below to create a complete PLC-OTS box & harness assembly.</p>		
Item No.	List Price USD	Description
263600223	\$1,375.00	Single phase CWPLC-OTS box with two 230VAC pump contactors.
263600231	\$1,375.00	Single phase CWPLC-OTS box with two 115VAC pump contactors.
263600224	\$1,425.00	Three phase CWPLC-OTS box with two 230VAC pump contactors.
TBD	Call for Pricing	Three phase CWPLC-OTS box with three 230VAC pump contactors.
TBD	Call for Pricing	Three phase CWPLC-OTS box with four 230VAC pump contactors.
Notes:		
1. Box dimensions: Standard is 14"Hx12"Wx4.7"D, add 1 or 2 pumps and dimensions are 11"Hx15"Wx4.7"D.		
2. Need to specify 3 phase pump volts & amps and/or horsepower when ordering 3 phase boxes.		
3. 380-460VAC power supplied chillers should use the 230VAC pump contactor OTS boxes.		
4. CXP cable is needed to connect OTS to stage 1 chiller.		
5. Stages are networked together with 3 conductor 18/22 gauge wire.		

Chiller Units and Modules

Single-Unit MPLC Modular Control Panels Cruisair MTDV (CRUISAIR ONLY)		
Item Number	List Price (USD)	Description
263200017	\$1,975.00	MPLC-XC all MTDV Units, 208-480V, 1 & 3 Ph, 115/230V without Display
263200018	\$1,975.00	MPLC-VXC Control Panel, As Above, for use with VFD's
In addition to the MPLC single-unit panel (one per chiller), the system will require: a Standard PLC display (PGD1), CNP5 Network Cables (one per panel), 2x pump relays (for circulation and seawater pumps),		
Additional PLC Control Panel Parts		
336868	\$13.00	5' Display Cable PGD1
337421	\$9.18	2.5' Display Cable PGD1
336951	\$2,070.00	CONTROL, PLC LARGE PCO5+ w/built in PGD1 display, used on High End
338083	\$1,780.00	CONTROL, STIIC PCO5 SMALL w/built in PGD1 display
263120358	\$580.00	CONTROL KIT, SML PLC 230VAC used on basic chiller
290337668	\$680.00	CONTROL KIT, PLC MED 230V EEV used for basic chiller w/options
263400120	\$760.00	CONTROL KIT, PLC SML 230VAC EEV used for VARC48
263120356	\$2,820.00	CONTROL KIT, PLC HE Chillers
4025103	\$215.00	TRANSDU PRES 0-652PSIG 1/4 FPT
337422	\$34.00	14.4' WIRE SET w/plug for Pres Transducers
336862	\$22.00	6.5' WIRE SET w/plug for Pres Transducers
336863	\$34.00	Chiller temp sensor 10 ft cable
337423	\$42.00	Chiller temp sensor 20 ft cable
298001762	\$185.00	MTD Harness with PLC sensors
263120355	\$830.00	EVO Driver w/display for programming
336872	\$41.00	EEV connector and cable 9.8 ft long
337561	\$345.00	EVO Driver Display only
337041	\$285.00	Field Bus 1 comm board
Other Chilled Water Accessories		
Probe Well Assy. Tee for water sensor - for retrofits or if building new manifold		
297700671	\$230.00	1.5" SCH80 PVC
297700672	\$240.00	2.0" SCH80 PVC
297700676	\$80.00	Copper probe well (braze-in)
Pressure/Temperature Gauges/Valves/Misc.		
4061200	\$425.00	Humidistat, Wall Mount, 115V/230V
263600110	\$460.00	Pressure/Temperature Gauge Kit Panel
263600125	\$625.00	Pressure/Temperature Gauge Kit Box
263600080	\$175.00	Pressure gauge only in panel w/5' tube
330127	\$170.00	Probe well for temperature gauge sensor CW
360586	\$145.00	Temperature dial gauge (panel)
334215	\$130.00	Pressure dial gauge, USG black casing
330482	\$46.00	1/2" NPT Brass Ball Valve (tapered full port) *
Notes:		
1. Press/Temp Gauge kit has 1 press gauge for return water, and 2 temp gauges for supply and return water.		
2. Purchase probe well #330127 if buying gauge panel or box separately from manifolds.		

Variable Frequency Drives

Programmed Variable Frequency Drives					
Altivar 312 Variable Frequency Drives (Standard VFDs)					
Nominal HP	Comp Voltage In/Out	Max AMP Rating		VFD 312	
		3-Ph In	1-Ph In	Item No.	List Price
5HP	2361>2363	-	10.1	263250506	\$1,975.00
7.5HP	2361>2363	-	15.9	263250503	\$2,575.00
15HP	2361>2363	-	31.2	263250511	\$3,975.00
10HP	2361>2363	-	19.1	263250502	\$2,775.00
20HP	2361>2363	-	38.1	263250508	\$4,425.00
5HP	2251>2363	-	10.1	263250504	\$1,975.00
7.5HP	2351>2363	-	15.9	263250523	\$2,575.00
10HP	2251>2253	-	19.1	263250521	\$2,775.00
15HP	2351>2363	-	31.2	263250522	\$3,975.00
10HP	2351>2363	-	19.1	263250510	\$2,775.00
5HP	2363>2363	17.5	-	263250525	\$1,975.00
7.5HP	2363>2363	27.5	-	263250513	\$2,575.00
15HP	2363>2363	54	-	263250512	\$3,975.00
10HP	2363>2363	33	-	263250507	\$2,775.00
5HP	3853>3853	9.5	-	263250529	\$1,875.00
7.5HP	3853>3853	14.3	-	263250505	\$2,175.00
10HP	3853>3853	17	-	263250517	\$2,550.00
15HP	3853>3853	27.7	-	263250519	\$3,725.00

Altivar 21 Variable Frequency Drives (Lower Harmonic Distortion VFDs)					
Nominal HP	Voltage In/Out	Max AMP Rating		Item No.	List Price
7.5HP	4063>4063	12		263250540	\$2,350.00
15HP	4053>4063	22.5		263250524	\$3,750.00
20HP	4053>4063	30.5		263250539	\$4,250.00

RFI Filters (Eliminate High Frequency Interference)					
Nominal HP	Comp Voltage	Max AMP Rating		RFI Filters (class B EMC)	
		3-Ph In	1-Ph In	Item No.	List Price
5HP	208-230V	17.5	10.1	763300002	\$665.00
7.5HP	208-230V	27.5	15.9	763300003	\$700.00
10HP	208-230V	33	19.1	763300003	\$700.00
15HP	208-230V	54	31.2	763300004	\$1,050.00
20HP	208-230V	66	38.1	763300004	\$1,050.00
5HP	380-460V	9.5	-	763300002	\$665.00
7.5HP	380-460V	14.3	-	763300003	\$700.00
10HP	380-460V	17	-	763300003	\$700.00

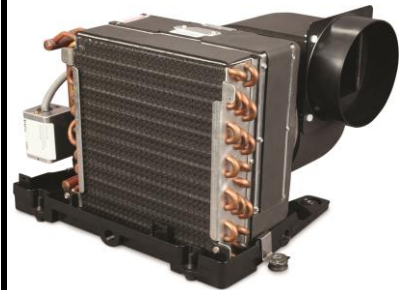
Note: RFI Filters are Compatible with either the Altivar 31s or the Altivar 21s.

AC Line Reactors (Reduce Total Harmonic Distortion (THD))		
Item No.	List Price USD	Description
4250301	\$885.00	Reactor, AC Line 230V, 10HP
4250303	\$990.00	Reactor, AC Line 230V, 15HP
4250302	\$990.00	Reactor, AC Line 460V, 15HP
4250304	\$1,500.00	Reactor, AC Line 230V, 25HP

Chilled Water Air Handlers

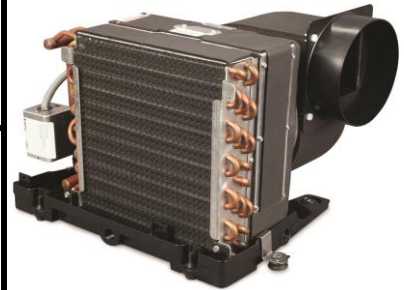
AU	12	HV	Z	-	FC	-	COS	-	2KW	-	BE	-	L90	6"MR
Air Handler Style	Capacity (BTU/Hr x 1000)	Blower "HV" = High-efficiency DC = DC Brushless Motor F = Shaded Pole (ext. motor)	Z = 230V Blank = 115V		Flow Control		COS = Change-Over Switch Installed		Electrical Heat		Breathe Easy		Valve & Blower Orientation	Duct Ring Size

AU Air Handlers, with High Velocity Blowers		
Item Number	List Price (USD)	Description
261400061	\$1,710.00	AU6HV 5"MR 115V
261400091	\$1,810.00	AU9HV 6"MR 115V
261400121	\$1,910.00	AU12HV 6"MR 115V
261400181	\$2,110.00	AU18HV 7"MR 115V
261400241	\$2,410.00	AU24HV 8"MR 115V
261400060	\$1,710.00	AU6HVZ 5"MR 230V
261400090	\$1,810.00	AU9HVZ 6"MR 230V
261400120	\$1,910.00	AU12HVZ 6"MR 230V
261400180	\$2,110.00	AU18HVZ 7"MR 230V
261400240	\$2,410.00	AU24HVZ 8"MR 230V
AU Air Handlers, with HV Blowers and Heating		
261400065	\$2,060.00	AU6HVZ-1KW 5"MR 115V
261400095	\$2,160.00	AU9HV-1KW 6"MR 115V
261400107	\$2,160.00	AU9HV-1.5KW 6"MR 115V
261400137	\$2,260.00	AU12HV-1KW 6"MR 115V
261400125	\$2,260.00	AU12HV-1.5KW 6"MR 115V
261400197	\$2,460.00	AU18HV-1KW 7"MR 115V
261400201	\$2,460.00	AU18HV-1.5KW 7"MR 115V
261400245	\$2,860.00	AU24HVZ-3.0KW 8"MR 230V
261400064	\$2,060.00	AU6HVZ-1KW 5"MR 230V
261400094	\$2,160.00	AU9HVZ-1KW 6"MR 230V
261400106	\$2,160.00	AU9HVZ-1.5KW 6"MR 230V
261400136	\$2,260.00	AU12HVZ-1KW 6"MR 230V
261400124	\$2,235.00	AU12HVZ-1.5KW 6"MR 230V
261400196	\$2,460.00	AU18HVZ-1KW 7"MR 230V
261400200	\$2,460.00	AU18HVZ-1.5KW 7"MR 230V
261400244	\$2,860.00	AU24HVZ-2X1.5KW 8"MR 230V
AU Air Handlers, with HV Blowers and Flow Control		
261400063	Call for Pricing	AU6HV-FC 5"MR 115V
261400093	\$1,970.00	AU9HV-FC 6"MR 115V
261400123	\$2,070.00	AU12HV-FC 6"MR 115V
261400183	\$2,270.00	AU18HV-FC 7"MR 115V
261400243	\$2,570.00	AU24HV-FC 8"MR 115V
261400062	\$1,870.00	AU6HVZ-FC 5"MR 230V
261400092	\$1,970.00	AU9HVZ-FC 6"MR 230V
261400122	\$2,070.00	AU12HVZ-FC 6"MR 230V
261400182	\$2,270.00	AU18HVZ-FC 7"MR 230V
261400242	\$2,570.00	AU24HVZ-FC 8"MR 230V
AU Air Handlers, with HV Blowers, FC and Heating		
261400067	Call for Pricing	AU6HV-FC 1.0KW 5"MR 115V
261400127	Call for Pricing	AU12HV-FC 1.5KW 6"MR 115V
261400247	Call for Pricing	AU24HV-FC 3.0KW 8"MR 115V
261400066	\$2,220.00	AU6HVZ-FC 1.0KW 5"MR 230V
261400126	\$2,420.00	AU12HVZ-FC 1.5KW 6"MR 230V
261400246	\$3,020.00	AU24HVZ-FC 3.0KW 8"MR 230V



Chilled Water Air Handlers

AU Air Handlers, with HV Blowers, FC and COS		
Item Number	List Price (USD)	Description
261400901	\$1,920.00	AU6HVZ-FC-COS 5"MR 230V
261400917	\$2,020.00	AU9HVZ-FC-COS 6"MR 230V
261400926	\$2,120.00	AU12HVZ-FC-COS 6"MR 230V
261400908	\$2,320.00	AU18HVZ-FC-COS 7"MR 230V
261400949	\$2,620.00	AU24HVZ-FC-COS 8"MR 230V
AU Air Handlers, with HV Blowers, and Breathe Easy™		
261400956	\$2,210.00	AU6HVZ-BE 5"MR 230V
261400969	\$2,310.00	AU9HVZ-BE 5"MR 230V
261400957	\$2,405.00	AU12HVZ-BE 6"MR 230V
261400970	\$2,605.00	AU18HVZ-BE 7"MR 230V
261400958	\$2,905.00	AU24HVZ-BE 8"MR 230V
AU Air Handlers, w/HV Blowers, Breathe Easy™ & Heating		
261400790	Call for Pricing	AU6HV-1KW-BE 5"MR 115V
261400791	Call for Pricing	AU9HV-1KW-BE 5"MR 115V
261400792	Call for Pricing	AU12HV-1.5KW-BE 6"MR 115V
261400793	Call for Pricing	AU18HV-2X1.5KW-BE 7"MR 115V
261400794	\$3,355.00	AU24HV-2X1.5KW-BE 8"MR 115V
261400800	\$2,560.00	AU6HVZ-1KW-BE 5"MR 230V
261400801	\$2,660.00	AU9HVZ-1KW-BE 5"MR 230V
261400802	\$2,755.00	AU12HVZ-1.5KW-BE 6"MR 230V
261400803	\$3,055.00	AU18HVZ-2X1.5KW-BE 7"MR 230V
261400804	\$3,355.00	AU24HVZ-2X1.5KW-BE 8"MR 230V
AU Air Handlers, with DC Blowers		
261400069	\$2,655.00	AU6DCZ 5"MR 230V
261400099	\$2,755.00	AU9DCZ 6"MR 230V
261400129	\$2,855.00	AU12DCZ 6"MR 230V
261400189	\$3,055.00	AU18DCZ 7"MR 230V
261400249	\$3,355.00	AU24DCZ 8"MR 230V
AU Air Handlers, with DC Blowers and Heating		
261400071	\$3,005.00	AU6DCZ-1KW 5"MR 230V
261400101	\$3,105.00	AU9DCZ-1KW 6"MR 230V
261400110	\$3,105.00	AU9DCZ-1.5KW 6"MR 230V
261400131	\$3,205.00	AU12DCZ-1.5KW 6"MR 230V
261400191	\$3,405.00	AU18DCZ-1.5KW 7"MR 230V
261401037	\$3,705.00	AU24DCZ-1.5KW 8"MR 230V
AU Air Handlers, with DC Blowers and Flow Control		
261400070	\$2,815.00	AU6DCZ-FC 5"MR 230V
261400100	\$2,915.00	AU9DCZ-FC 6"MR 230V
261400130	\$3,015.00	AU12DCZ-FC 6"MR 230V
261400190	\$3,215.00	AU18DCZ-FC 7"MR 230V
261400250	\$3,515.00	AU24DCZ-FC 8"MR 230V
AU Air Handlers, with DC Blowers, FC and Heating		
261400072	\$3,165.00	AU6DCZ-FC-1KW 5"MR 230V
261400102	\$3,240.00	AU9DCZ-FC-1KW 6"MR 230V
261400192	\$3,565.00	AU18DCZ-FC-1.5KW 7"MR 230V
261401036	\$3,865.00	AU24DCZ-FC-1.5KW 8"MR 230V
AU Air Handlers, with DC Blowers, FC and COS		
261400913	\$2,815.00	AU6DCZ-FC-COS 5"MR 230V
261400939	\$2,940.00	AU9DCZ-FC-COS 6"MR 230V
261400941	\$3,040.00	AU12DCZ-FC-COS 6"MR 230V
261400947	\$3,215.00	AU18DCZ-FC-COS 7"MR 230V
261400952	\$3,515.00	AU24DCZ-FC-COS 8"MR 230V



*Note: U-board does not support COS
Use water temp sensor

Chilled Water Air Handlers

European Version Air Handlers		
AU-EU Air Handlers, with HV Blowers		
Item Number	List Price (USD)	Description
261402006	\$1,880.00	AU6HVZ-EU 5"MR 230V
261402009	\$1,980.00	AU9HVZ-EU 6"MR 230V
261402012	\$2,080.00	AU12HVZ-EU 6"MR 230V
261402018	\$2,280.00	AU18HVZ-EU 7"MR 230V
261402024	\$2,580.00	AU24HVZ-EU 8"MR 230V
AU-EU Air Handlers, with HV Blowers and Heating		
261402007	\$2,230.00	AU6HVZ-EU-1KW 5"MR 230V
261402010	\$2,330.00	AU9HVZ-EU-1.5KW 6"MR 230V
261402019	\$2,630.00	AU18HVZ-EU-1.5KW 7"MR 230V
261402025	\$2,980.00	AU24HVZ-EU-2X1.5KW 8"MR 230V
AU-EU Air Handlers, with DC Blowers		
261402050	\$2,825.00	AU6DCZ-EU 5"MR 230V
261402051	\$2,925.00	AU9DCZ-EU 6"MR 230V
261402052	\$3,025.00	AU12DCZ-EU 6"MR 230V
261402053	\$3,225.00	AU18DCZ-EU 7"MR 230V
261402054	\$3,525.00	AU24DCZ-EU 8"MR 230V
AU-EU Air Handlers, with DC Blowers and Heating		
261402056	\$3,575.00	AU18DCZ-EU-1.5KW 7"MR 230V
261402055	Call for Pricing	AU24DCZ-EU-2X1.5KW 8"MR 230V
Control Box AU-EU High Velocity Blowers		
263400920	\$710.00	Control Box AU-HV-EU I/O 20' display cable
263400921	\$780.00	Control Box AU-HV-EU Q-Logic
263400922	\$260.00	Control Box AU-HV-EU Slave
Control Box AU-EU DC Blowers		
263400923	\$750.00	Control Box AU-DC-EU I/O 20' display cable
263400924	\$850.00	Control Box AU-DC-EU Q-Logic
263400925	\$285.00	Control Box AU-DC-EU Slave
Note: AU-XX-EU Kits above include circuit board in box, 90cm cable harness. 120cm Water Sensor & Air Sensor 20' display cable with I/O kit only. No display or bezel included in kits, see Climate Controls and Electronics section.		



AT High Velocity Air Handlers		
Item Number	List Price (USD)	Description
261300007	\$1,415.00	AT4HVZ 4"MR 230V
261300087	\$3,960.00	AT36HVZ 8"MR 230V
261300287	\$4,410.00	AT36HVZ-2X1.5KW 8"MR 230V
261300786	\$4,120.00	AT36HVZ-FC 8"MR 230V
261300787	\$4,570.00	AT36HVZ-FC-2X1.5KW 8"MR 230V
"Whisper Cool" AT-DC 36K Air Handlers		
261300622	\$5,040.00	AT36DCZ-FC 8"MR 230V
261300676	\$5,490.00	AT36DCZ-FC-2X1.5KW 8"MR 230V



Chilled Water Air Handlers

ATL Draw-Through Air Handlers, with HV Blowers

Item Number	List Price USD	Description
261301300	\$2,715.00	ATL6HVZ-FC 5"MR 230V
261301302	\$2,815.00	ATL9HVZ-FC 6"MR 230V
261301315	\$3,265.00	ATL9HVZ-FC 1.5KW 6"MR 230V
261301304	\$3,040.00	ATL12HVZ-FC 6"MR 230V
261301242	\$3,340.00	ATL18HVZ-FC 6"MR 230V
261301318	\$3,415.00	ATL24HVZ-FC 8"MR 230V
261301309	\$3,855.00	ATL24HVZ-FC 1.5KW 8"MR 230V
261301310	\$5,580.00	ATL36HVZ-FC 8"MR 230V



ATL Draw-Through Air Handlers, with DC Blowers

261301316	\$3,555.00	ATL9DCZ-FC 6"MR 230V
261301317	\$4,565.00	ATL12DCZ-FC 6"MR 230V
261300528	\$2,920.00	ATL16FZ 230V, sloped pan
261301338	\$4,555.00	ATL18DCZ-FC 6"MR 230V
261301313	\$4,440.00	ATL24DCZ-FC 8"MR 230V

Note: Electric Heat is available on the ATLs, ATVs, and ABLs.

ABL Air Handlers

Item Number	List Price USD	Description
262110019	\$4,550.00	ABL18HVZ-FC 6"MR 230V
262110012	\$4,550.00	ABL24HVZ-FC 6"MR 230V
262110044	Call for Pricing	ABL18DCZ 6"MR 230V
262110001	\$6,135.00	ABL24DCZ-FC 6"MR 230V



ATV Vertical Draw-Through Air Handlers, with HV Blowers

Item Number	List Price USD	Description
261301154	\$2,315.00	ATV6HVZ-SQ 5"MR 230V
261301284	\$2,240.00	ATV6HVZ-LP-L90 5"MR 230V
261300567	\$2,320.00	ATV9HVZ-SQ-L90 6"MR 230V
261300577	\$2,320.00	ATV9HVZ-SQ-R90 6"MR 230V
261301272	\$2,670.00	ATV9HVZ-LP-L90-1KW 6"MR 230V
261300552	\$2,530.00	ATV12HVZ-SQ-FC-L90 6"MR 230V
261301207	\$2,530.00	ATV12HVZ-SQ-FC-R90 6"MR 230V
261300565	\$2,370.00	ATV12HVZ-SQ-L90 6"MR 230V
261301280	\$2,720.00	ATV12HVZ-LP-L90-1KW 6"MR 230V
261300542	\$3,125.00	ATV18HVZ-LP-L90 7"MR 230V
261301528	\$3,475.00	ATV18HVZ-LP-1.5KW L90 7"MR 230
261301034	\$3,635.00	ATV18HVZ-LP-FC-L90 2X1.0KW 7MR
261300572	\$3,985.00	ATV24HVZ-LP L90 8"MR 230V
261301288	\$4,145.00	ATV24HVZ-LP-FC L90 8"MR 230V
261301184	\$4,625.00	ATV24HVZ-LP-1.5KW L90 8"MR 230
261301201	\$4,625.00	ATV24HVZ-LP-1.5KW R90 8"MR 230
261301073	\$4,435.00	ATV24HVZ-LP-2X1.5KW L90 8"MR



Chilled Water Air Handlers

ATV Vertical Draw-Through Air Handlers, with DC Blowers

Item Number	List Price USD	Description
261301589	\$2,975.00	ATV6DCZ-LP L90 5"MR 230V
261301383	\$3,325.00	ATV6DCZ-LP-1KW L90 5"MR 230V
261301199	\$3,210.00	ATV9DCZ-LP-FC L90 6"MR 230V
261301181	\$3,400.00	ATV9DCZ-LP-FC-1KW-L90 NOJBX 6"MR
261300520	\$3,335.00	ATV12DCZ-SQ-FC L180 6"MR
261401184	\$3,410.00	ATV12DCZ-LP-FC L90 6"MR 230V
261300550	\$3,960.00	ATV18DCZ-LP-FC-L90 7"MR 230V
261301149	\$4,410.00	ATV18DCZ-LP-FC-R90 2X1KW 230V
261301498	\$4,680.00	ATV24DCZ-LP-L90 8"MR 230V
261300594	\$5,570.00	ATV36DCZ-LP-R180 8"MR 230V



Fresh Air Makeup Air Handlers - with DC Blowers and Pulse Heat Control

Item Number	List Price USD	Description
261400226	\$4,780.00	AU12DCZ-FC-RH-1.5KW-MU 6"MR 230V
261400218	\$4,930.00	AU18DCZ-FC-2X1KW-MU 6"MR 230
261401097	\$5,185.00	AU24DCZ-FC-2X1KW-MU 8"MR 230V
261300664	\$6,785.00	AT36DCZ-FC-2X1.5KW-MU 8"MR 230V

Fresh Air Makeup Air Handlers - with pulse-heat control

261400971	\$3,985.00	AU18HVZ-FC-1.5KW-MU 7"MR 230V
261401135	\$4,285.00	AU24HVZ-FC-1.5KW-MU 8"MR 230V
261301066	\$5,950.00	AT36HVZ-FC-2X1.5KW-MU 8"MR 230V

Note: Above fresh air make-up units include pulse heat control and water valve.

Dometic Airhandler Control Package

Item Number	List Price (USD)	Description
263400938	\$460.00	DAHC Control Kit 115/230 HV-Includes control box with u-board, 7' water sensor and 10' air sensor.
263400937	\$785.00	DAHC/CANBUS Kit 115/230 HV-Includes control box with u-board, 7' water sensor, 10' air sensor and Canbus adapter.
263400941	\$668.00	DAHC Control Kit 115/230 HV - SMX only includes control box with u-board, 7' water sensor, 10' air sensor
263400940	\$460.00	DAHC Control Kit 115/230 DC-Includes control box with u-board, 7' water sensor and 10' air sensor.
263400939	\$785.00	DAHC/CANBUS Kit 115/230 DC-Includes control box with u-board, 7' water sensor, 10' air sensor and Canbus adapter.
263400942	\$668.00	DAHC Control Kit 115/230 DC - SMX only includes control box with u-board, 7' water sensor, 10' air sensor

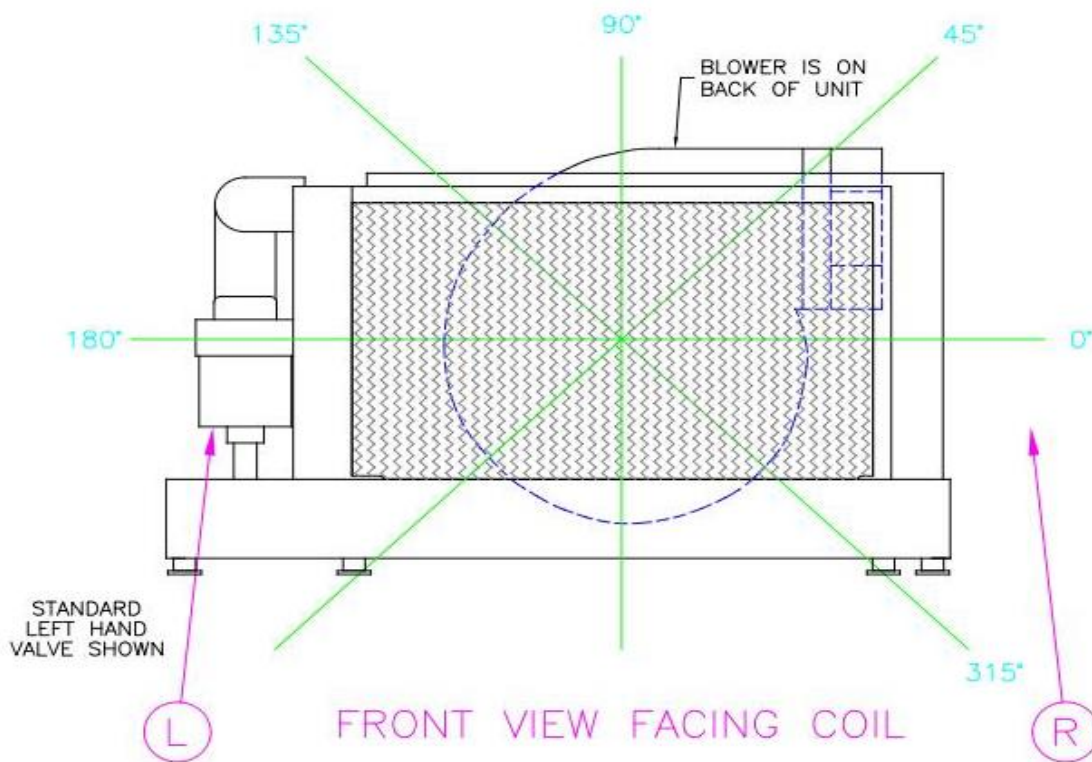
Note: Display and display cable sold separately.

Chilled Water Air Handler and Blower Orientation

PROPRIETARY NOTE: THE INFORMATION CONTAINED WITHIN THIS DOCUMENT IS THE PROPERTY OF DOMETIC CORPORATION. ANY ATTEMPT TO COPY OR DISTRIBUTE WITHOUT WRITTEN CONSENT FROM DOMETIC CORPORATION SHALL BE CONSIDERED UNLAWFUL AND CAN BE CONTESTED IN A COURT OF LAW.

REV	DATE	REVISION DESCRIPTION	DWG	APR
B	4/16/02	UPDATE PROPRIETARY NOTE, ADD REV BLK, CAD226-02	DRR	JES
C	7/15/04	REMOVED 225° AND 270° REFERENCES, CAD474-04	DRR	JES
D	1/10/05	MAKE DRAWING GENERIC FOR MAS & CRUISAIR, CAD029-05	DRR	JES

Air Handler discharge location will be indicated by an angle. The valve location will be indicated by an 'R' or an 'L'. For example: AT9HVZ R135. The 'R' means that the valve is on the right as one faces the coil. The '135' means that the blower is rotated 135 degrees counterclockwise as one faces the coil. Note that standard Air Handlers are 'LO' - the valve is on the left, and the blower is at zero degrees or pointing right as one faces the coil (see diagram). 'LO' will not appear in descriptions because it is the standard, all other orientations get full description. "NO VALVE" units still use "R" or "L" to indicate location of connections.



CUSTOMER SIGN OFF	
DATE:	_____
COMPANY NAME:	_____
YACHT MODEL:	_____
SIGNATURE:	_____
PRINT NAME:	_____
VALVE:	ROTATION:

DOMETIC	
CUSTOM AIR HANDLERS - CUSTOMER SIGN OFF	
BLOWER ROTATION ANGLE & WATER VALVE LOCATION	
DATE: 12/10/98	DWG BY: RMW
SCALE: 1/6	APR BY: E S
PART NUMBER: N/A	DWG H3050002
REV D	

Climate Controls and Electronics

DOMETIC DISPLAYS

Item Number	List Price (USD)	Description		
Dometic Smart Touch DX Control 222200404	\$295.00	Display Smart Touch Eikon		Smart Touch
Dometic EnviroCool/EnviroComfort Display 222000226	\$235.00	Display Only Dometic I/O Black (ECD)		ECD Display
Dometic Programmed Logic Control 263150141	\$320.00	PLDPro Small PLC Display DOMETI C		PLDPro
263150144	\$555.00	PGD1 Bk Remote PLC Display DOMETIC		PGD1
263150145	\$555.00	PGD1 Wht Remote PLC Display DOMETIC		
337995	\$70.00	Splitter multiple displays		
Dometic Smart Touch Chilled Water Control 263150137	\$2,000.00	PGD Touch Screen 7" Flush Chiller		Smart Touch Display
263150138	\$2,000.00	PGD Touch Screen 7" Flush VARC48		
263150140	\$2,000.00	PGD Touch Screen 7" Flush STIIC		
263150139	\$4,850.00	PGD Touch Screen 13" Flush Chiller		
337046	\$105.00	Cable 9 Pin to 3 Pin 13" display		
Dometic Eskimo Ice Display 252000150	\$180.00	Display Only Dometic Digital Eskimo Ice		Eskimo Ice Display

Bezels & Keypad Accessories

Item Number	List Price (USD)	Description
337173	\$95.00	Bezel Bright Varnished Metal Eikon Matte Anthracite
336562	\$26.00	Bezel Poly Eikon Graphite Gray
335441	\$18.00	Bezel Poly Black Elite & Q Control
335442	\$18.00	Bezel Poly Idea White Elite & Q Control
335443	\$18.00	Bezel Poly Graphite Gray Elite & Q Control
335444	\$65.00	Bezel Metal Black Chrome
335440	\$70.00	Bezel Metal Polished Gold
4220012	\$75.00	Bezel Metal Polished Chrome Rondo 3M
335446	\$65.00	Bezel Metal Bronze
335448	\$60.00	Bezel Metal Ivory
335449	\$60.00	Bezel Metal White
335511	\$18.00	Bezel Poly Classica Idea White
335512	\$18.00	Bezel Poly Classica Graphite gray
335513	\$60.00	Bezel Metal Classica White
335516	\$60.00	Bezel Metal Classica Black
335514	\$70.00	Bezel Metal Classica Polished Gold
222000224	\$21.00	Bezel Adapter Passport I/O Black
222000225	\$21.00	Bezel Adapter Passport I/O White
228710002	\$15.00	Adapter Bulkhead Passport Display Black
5101405	\$75.00	Plate SMXII Snap-On Cover, Black TW
5101401	\$48.00	PXB, SMX II Keypad Plate, Snap-on, Black
5101501	\$48.00	PXW, SMX II Keypad Plate, Snap-on, White
5103400	\$95.00	Full Door SMXir Display- Black
5103400W	\$95.00	Full Door SMXir Display- White
5103300	\$25.00	3/4 Door SMXir Display- Black
5103300W	\$25.00	3/4 Door SMXir Display- White
5103612	\$31.00	Retrofit Wall Adapter Plate, SMXII/3-Knob to SMXir, Black
5103612W	\$155.00	Retrofit Wall Adapter Plate, SMXII/3-Knob to SMXir, White
5103200	\$26.00	Mounting plate SMXir, Black

Climate Controls and Electronics

CRUISAIR AUTHORIZED DISTRIBUTORS ONLY

Item Number	List Price (USD)	Description
Cruisair Q Logic Displays		
722200250	\$190.00	Display Q3 Marine DX Black
722200260	\$190.00	Display Q3 Marine TW Black
722200200	\$230.00	Display QHT Marine DX & TW Gray
722200210	\$230.00	Display QHT Marine DX & TW White
722200201	\$255.00	Display QHT Eikon DX & TW Gray

Q-Logic Displays



Cruisair SMX Displays		
722200000	\$260.00	Display SMXHT DX Gray *
722200020	\$260.00	Display SMXHT DX White *
722200010	\$255.00	Display SMXHT TW Gray *
722200030	\$255.00	Display SMXHT TW White *
222000247	\$280.00	Display SMXIR 3/4 Door DX Black 2
SMXIR-REM	\$90.00	Control Remote SMXIR DX
SMXIRB-T	\$295.00	Display SMXIR 3/4 Door TW Black *
SMXIRW-T	\$295.00	Display SMXIR 3/4 Door TW White *
297000045	\$330.00	Display SMXIR Full Door DX Black
SMXIIAB	\$260.00	Display SMXII DX Black
SMXII BB	\$255.00	Display SMXII TW Black

SMX Displays



Note: * Only available while supplies last

Cruisair TWLC Display		
335504	\$470.00	Display TWLC LCD



TWLC LCD

Cruisair Mechanical Controls, Rotary Switches

763100047	\$605.00	SSA3-ZB, 3-Knob Switch, Black, 10' Cable w/Plug, 115V
763100046	\$605.00	SSA3-ZCB, 3-Knob Switch, Black, 10' Cable w/Plug, 230V
763100090	\$630.00	SSA3-ZHB, 3-Knob Switch, Horizontal, Black, 10' Cable w/Plug, 115V
763100069	\$630.00	SSA3-ZHCB, 3-Knob Switch, Horizontal, Black, 10' Cable w/Plug, 230V
763100059	\$590.00	TS3-ZCB1, 3-Knob Switch, Black, 10' Cable 230V w/COS

3-KNOB CONTROL



Cruisair Rotary Switches Remote Units

763100045	\$570.00	SA3-ZB10, 3-Knob Switch, Black, 10' Cap Tube, 115V
763100073	\$570.00	SA3-ZCB10, 3-Knob Switch, Black, 10' Cap Tube, 230V
763100055	\$550.00	SA3-BB10, 3-Knob Switch, Black, 10' Cap Tube, 2-Speed Blower, 115V
763100075	\$570.00	SA3-ZHB10, 3-Knob Switch, Horizontal, Black, 10' Cap Tube, 115V
763100068	\$595.00	SA3-ZHCB10, 3-Knob Switch, Horizontal, Black, 10' Cap Tube, 230V

1-KNOB CONTROL



Cruisair Rotary Switches Slave Units

763100063	\$265.00	SA4-ZB, 1-Knob Fan Speed Cont., Black, 115V
763100048	\$265.00	SA4-ZCB, 1-Knob Fan Speed Cont., Black, 230V
763100051	\$355.00	SA4A-ZB, 2-Knob, On/Auto, Fan Speed Cont., Black, 115V
763100042	\$355.00	SA4A-ZCB, 2-Knob, On/Auto, Fan Speed Cont., Black, 230V

Cruisair Retrofit Kits

705600011	\$545.00	Retro SMXII P/L ONLINE > NET-U
705600010	\$465.00	Retro 3 Knob > SMXII/Q-Logic > U-Board

Climate Controls and Electronics

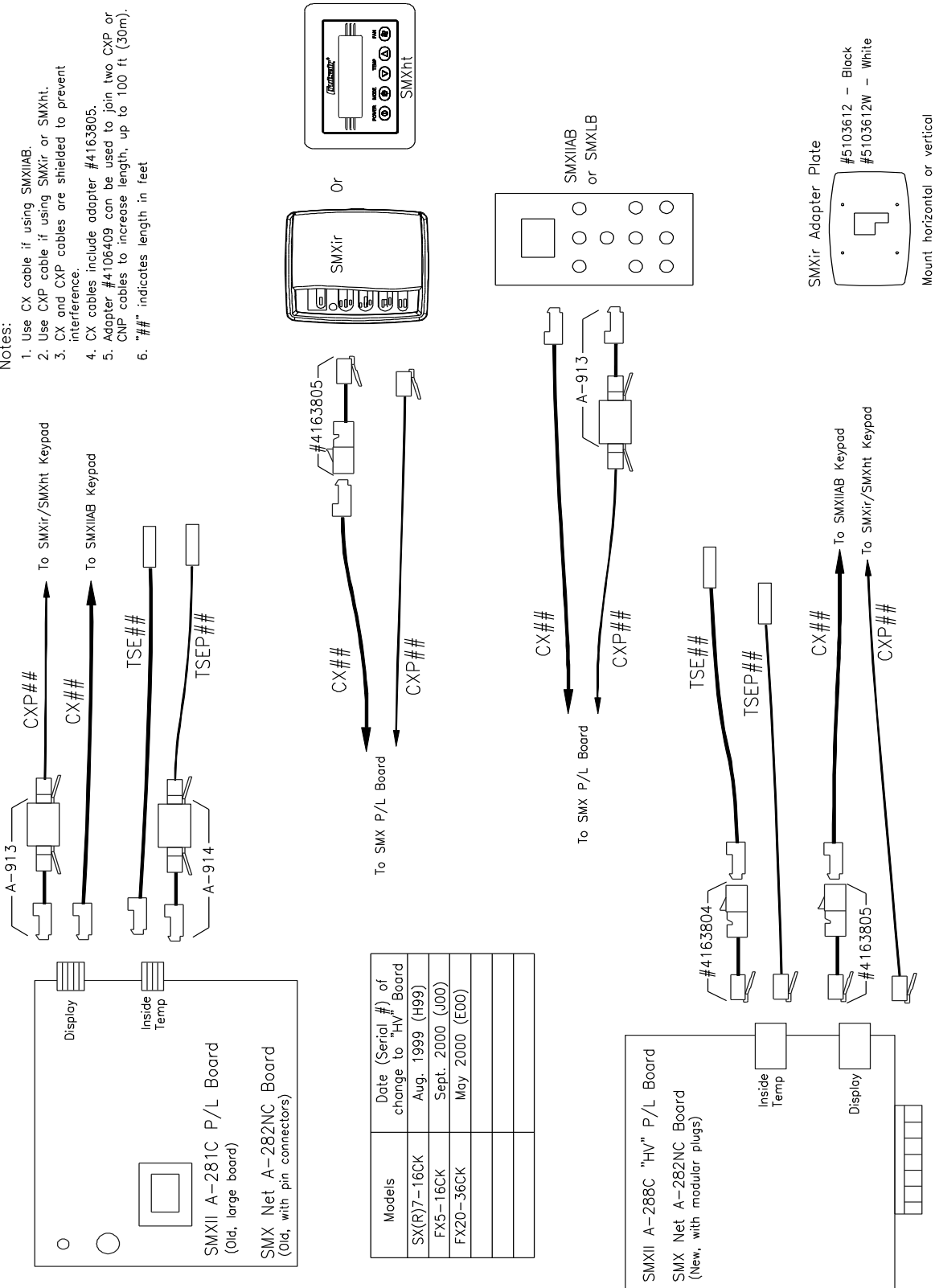
CRUISAIR AUTHORIZED DISTRIBUTORS & DEALERS ONLY

<u>Item Number</u>	<u>List Price (USD)</u>	<u>Description</u>
Control and Network Cables and Sensors		
CXP CABLES		
CXP5	\$23.00	Keypad to Box Cable, RJ12, 5 Feet
CXP10	\$27.00	Keypad to Box Cable, RJ12, 10 Feet
CXP15	\$33.00	Keypad to Box Cable, RJ12, 15 Feet
CXP20	\$38.00	Keypad to Box Cable, RJ12, 20 Feet
CXP30	\$50.00	Keypad to Box Cable, RJ12, 30 Feet
CXP40	\$75.00	Keypad to Box Cable, RJ12, 40 Feet
CXP60	\$95.00	Keypad to Box Cable, RJ12, 60 Feet
CXP80	\$115.00	Keypad to Box Cable, RJ12, 80 Feet
722000001	\$165.00	Keypad to Box Cable, RJ12, 100 Ft
CNP REMOTE DISPLAY CABLES		
CNP5	\$60.00	SMX Network Cable, RJ12, 5 Feet
CNP10	\$60.00	SMX Network Cable, RJ12, 10 Feet
CNP15	\$75.00	SMX Network Cable, RJ12, 15 Feet
CNP20	\$85.00	SMX Network Cable, RJ12, 20 Feet
CNP40	\$105.00	SMX Network Cable, RJ12, 40 Feet
CNP60	\$125.00	SMX Network Cable, RJ12, 60 Feet
ADAPTERS, ETC.		
4163804	\$27.00	Adapter, 3-Pin Socket (TSE) to RJ11 Male Plug (A-288C, A-282NC)
4163805	\$27.00	Adapter, 4-Pin Socket (CX) to RJ12 Male Plug (SMXir/ht, A-288C, A-282NC)
4106409	\$8.74	Modular Coupling, TSEP, CXP, CNP
763100043	\$85.00	A-913, Adapter, RJ12 Socket (CXP) to 4-Pin Male Plug (SMXiiAB, A-281C, Old Net)
763100044	\$85.00	A-914, Adapter, RJ11 Socket (TSEP) to 3-Pin Male Plug (A-281C, Old Net)
TEMPERATURE/HUMIDITY SENSORS		
334498	\$39.00	TSEP5, Temperature Sensor, RJ11, 5 Feet
TSEP10	\$43.00	Temperature Sensor, RJ11, 10 Feet
TSEP15	\$48.00	Temperature Sensor, RJ11, 15 Feet
TSEP20	\$55.00	Temperature Sensor, RJ11, 20 Feet
TSEP30	\$70.00	Temperature Sensor, RJ11, 30 Feet
TSEP40	\$80.00	Temperature Sensor, RJ11, 40 Feet
TSEP60	\$95.00	Temperature Sensor, RJ11, 60 Feet
TSEP80	\$105.00	Temperature Sensor, RJ11, 80 Feet
4062325	\$23.00	Seawater Sensor DX Q-Logic
722400008	\$195.00	Temperature Sensor/Relative Humidity Q-Logic 15ft
722400013	\$255.00	Temperature Sensor/Relative Humidity Q-Logic 35ft
297000049	\$180.00	Temperature Sensor Well, 1" NPT Plug, Copper
4250046	\$255.00	Break Out Cable Temp/Rel. Humid. Q Logic Fresh Air Make-up
4062331	\$48.00	Water Temperature Sensor, Q-Logic 5 Feet
4062332	\$70.00	Water Temperature Sensor, Q-Logic 10 Feet
4062334	\$100.00	Water Temperature Sensor, Q-Logic 30 Feet

Climate Controls and Electronics

Notes:

1. Use CX cable if using SMXIAB
2. Use CXP cable if using SMXir or SMXht.
3. CX and CXP cables are shielded to prevent interference.
4. CX cables include adapter #4163805.
5. Adapter #4106409 can be used to join two CXP or CNP cables to increase length, up to 100 ft (30m).
6. "##" indicates length in feet



Climate Controls and Electronics

MARINE AIR AUTHORIZED DISTRIBUTORS ONLY

Item Number List Price (USD) Description

Marine Air Elite Displays

222000210	\$235.00	Display Only Elite Gray DX & CW
222000211	\$235.00	Display Only Elite White DX & CW
222000216	\$255.00	Display Only Elite II Eikon Gray DX & CW



Elite Elite Eikon

Marine Air Passport I/O Displays

222000200	\$225.00	Display w/Bezel Compact Passport I/O Black DX & CW
222000201	\$225.00	Display w/Bezel Compact Passport I/O White DX & CW
222000220	\$225.00	Display Only Compact Passport I/O Black DX
222000221	\$225.00	Display Only Compact Passport I/O White DX



Passport I/O

Marine Air Chilled Water Controls

334619	\$630.00	Display CWMC Black
331217	\$1,000.00	Display Hydromatic Black



CWMC Display

Marine Air Mechanical Control, Rotary Switches

Reverse Cycle Self-Contained 3-Knob Control Panel (Vector Compact, Turbo Mechanical or Cabin Mate)

222110030	\$520.00	Black MCP Control, Self-Cont, Horizontal, 115 Volts
223110054	\$520.00	Black MCP Control, Self-Cont, Horizontal, 230 Volts
222110033	\$520.00	Black MCP Control, Self-Cont, Vertical, 115 Volts
223110055	\$520.00	Black MCP Control, Self-Cont, Vertical, 230 Volts

Reverse Cycle Central Systems 3-Knob Control Panel

223110083	\$610.00	Black MCP Control, Central, Horizontal, 230 Volts
223110090	\$610.00	Black MCP Control, Central, Vertical, 230 Volts

Back Cover MCP

223200000	\$60.00	MCP back cover, ABS plastic
-----------	---------	-----------------------------

Cool Only 2-Knob Control Panel

222110102	\$380.00	MCP 2-Knob ECM Vertical, 115/230V
-----------	----------	-----------------------------------



Single Knob
Slave Control

3 Knob
Control

MECHANICAL SLAVE CONTROLS

Slave Controls - To be used to control fan speed when an extra evaporator is wired to another evaporator which has a complete control panel.

222110044	\$265.00	Slave Control Black, 115 Volt
223110067	\$265.00	Slave Control Black, 230 Volt

Climate Controls and Electronics

MARINE AIR AUTHORIZED DISTRIBUTORS ONLY

Digital Upgrade Retrofit Kits

Item Number	List Price (USD)	Description
-------------	------------------	-------------

SELF-CONTAINED 3-KNOB UPGRADE TO ELITE OR PASSPORT I/O

222108000	\$43.00	Retro Plate 3 Knob to Passport I/O, Black (included in kit)
222108001	\$43.00	Retro Plate 3 Knob to Passport I/O, White (included in kit)
223100261	\$775.00	Retrofit Kit, Self-Contained Elite Gray Vertical
223100262	\$750.00	Retrofit Kit, Self-Contained Passport I/O, Black
223100263	\$750.00	Retrofit Kit, Self-Contained Passport I/O, White

Note: Includes I/O control inside elec. box, harness with polarized plug, display, retrofit plate, black poly bezel (with Elite only), 15' display cable, 7' air sensor, manual, and quick reference card.

CENTRAL SYSTEM 3-KNOB UPGRADE TO ELITE OR PASSPORT I/O

223100212	\$775.00	Retrofit Kit, Central System Passport I/O, Black
223100213	\$775.00	Retrofit Kit, Central System Passport I/O, White

Note: Includes I/O control inside elec. box, harness, display, retrofit plate, black poly bezel (with Elite only), 30' display cable, 7' air sensor, manual, and quick reference card.

ECU MAXX DISPLAY RETROFIT PLATE TO ELITE OR PASSPORT I/O

293600431	\$350.00	Retrofit Plate, ECU MAXX to Passport I/O Black
293600443	\$90.00	Retrofit Plate, ECU MAXX to Elite Black Horizontal
223100420	\$680.00	Retrofit Kit ECU MAXX to Passport Elite - Black Bezel
223100422	\$695.00	Retrofit Kit ECU MAXX to Passport I/O - Black Bezel
223100423	\$670.00	Retrofit Kit ECU MAXX to Passport I/O - White Bezel

Note: Includes display retrofit plate only.

ECU UPGRADE TO ELITE OR PASSPORT I/O

223100222	\$685.00	Retrofit Kit, ECU to Passport I/O - Black
223100223	\$670.00	Retrofit Kit, ECU to Passport I/O - White

Note: Includes I/O control, PP I/O module retrofit plate, display, 15' display cable, 7' air sensor, manual, and quick reference card. (Elite includes display retrofit plate and black poly bezel.)

PASSPORT UPGRADE TO ELITE OR PASSPORT I/O

223100232	\$670.00	Retrofit Kit, Passport to Passport I/O - Black
223100233	\$670.00	Retrofit Kit, Passport to Passport I/O - White

Note: Includes I/O control, PP I/O module retrofit plate, display, manual, & quick reference card. (Elite includes display retrofit plate and black poly bezel.)

PASSPORT II UPGRADE TO ELITE OR PASSPORT I/O

223100224	\$695.00	Retrofit Kit, Passport II to Elite - Gray
223100226	\$665.00	Retrofit Kit, Passport II to Passport I/O - Black
223100227	\$670.00	Retrofit Kit, Passport II to Passport I/O - White

Note: Includes I/O control, display, manual, & quick reference card. (Elite includes display retrofit plate and black poly bezel).

ELITE RETROFIT COVER PLATES

293600422	\$100.00	Retrofit Plate, MCP 3-Knob to Elite Horizontal, White
293600423	\$100.00	Retrofit Plate, MCP 3-Knob to Elite Vertical, White
293600424	\$100.00	Retrofit Plate, MCP 3-Knob to Elite Horizontal, Black
293600444	\$100.00	Retrofit Plate, MCP 3-Knob to Elite Vertical, Black
293600455	\$100.00	Retrofit Plate, Passport II to Elite Horizontal or Vertical, Black

Climate Controls and Electronics

MARINE AIR AUTHORIZED DISTRIBUTORS & DEALERS ONLY

Display & Sensor Cables

Item Number List Price (USD) Description

DISPLAY CABLE OPTIONS - DCU / CMCD / CSD

331925	\$24.00	10' Display Cable, 8-pin
222103000	\$34.00	15' Display Cable, 8-pin
222103005	\$85.00	20' Display Cable, 8-pin
222103010	\$90.00	25' Display Cable, 8-pin
222103020	\$85.00	30' Display Cable, 8-pin
222103040	\$115.00	35' Display Cable, 8-pin
222103060	\$110.00	40' Display Cable, 8-pin
222103080	\$120.00	45' Display Cable, 8-pin
222103100	\$135.00	50' Display Cable, 8-pin
222103115	\$135.00	60' Display Cable, 8-pin

WATER SENSORS

334024	\$41.00	2' Water Sensor
331218	\$45.00	7' Water Sensor
331438	\$65.00	10' Water Sensor
331801	\$70.00	15' Water Sensor
333973	\$75.00	20' Water Sensor
332008	\$85.00	25' Water Sensor
332620	\$90.00	30' Water Sensor
333843	\$95.00	35' Water Sensor
333856	\$100.00	40' Water Sensor
334952	\$110.00	45' Water Sensor
334963	\$120.00	50' Water Sensor

ALTERNATE AIR SENSOR OPTION - DTU / ECD / DCU / CMCD / CSD

335887	\$2.10	Plastic clip to hold 7' alt air sensors above
222102307	\$46.00	7' Cable with Alternate Air Sensor attached & clip, 6-pin
222102308	\$75.00	15' Cable with Alternate Air Sensor attached & clip, 6-pin
265100190	\$100.00	30' Cable with Alternate Air Sensor attached & clip, 6-pin
222102312	\$120.00	40' Cable with Alternate Air Sensor attached & clip, 6-pin
222102311	\$255.00	75' Cable with Alternate Air Sensor attached & clip, 6-pin

IMPORTANT: REMOTE AIR SENSOR CARD MUST BE PURCHASED WITH ALL AIR SENSOR CABLES LISTED BELOW.

1. Use when a return air temperature sensing location other than in display is needed.
2. The air sensor is usually mounted in the return air stream. Clips are included as shown below.
3. Do not mount on the drain pan, as the cold condensate water can lead to false temperature readings.

222108009	\$105.00	Remote Air Sensor Card, 6-pin
222102305	\$43.00	7' Alternate Air Sensor Cable Air Sensor Card, 6-pin
222102310	\$75.00	10' Alternate Air Sensor Cable Air Sensor Card, 6-pin
222102315	\$80.00	15' Alternate Air Sensor Cable Air Sensor Card, 6-pin
222102320	\$85.00	20' Alternate Air Sensor Cable Air Sensor Card, 6-pin
222102325	\$90.00	25' Alternate Air Sensor Cable Air Sensor Card, 6-pin
222102330	\$95.00	30' Alternate Air Sensor Cable Air Sensor Card, 6-pin
222102335	\$100.00	35' Alternate Air Sensor Cable Air Sensor Card, 6-pin
222102340	\$105.00	40' Alternate Air Sensor Cable Air Sensor Card, 6-pin
222102345	\$110.00	45' Alternate Air Sensor Cable Air Sensor Card, 6-pin
222102365	\$145.00	65' Alternate Air Sensor Cable Air Sensor Card, 6-pin

OUTSIDE AIR SENSORS WITH CABLES MONITORING OUTSIDE AIR TEMPERATURE.

222102402	\$90.00	Outside Air Sensor w/ 7' cable, 6-pin
222102405	\$100.00	Outside Air Sensor w/ 15' cable, 6-pin
222102400	\$120.00	Outside Air Sensor w/ 25' cable, 6-pin
222102401	Call for Pricing	Outside Air Sensor w/ 40' cable, 6-pin

PUMPS

NOMENCLATURE

P 0 3 5 S - 1 1 7 1 D - 2 5 0 - 1/3 T

P = Pump
PA = Pump Assembly

Flow Rate in GPM
035 = 35 GPM
380 = 380 GPM
060 = 60 GPM
112 = 112 GPM

S = Seawater/Chilled Water duty
C = Chilled Water use only
R = Seawater w/ Self Priming Reservoir

Voltage Code
1151 = 110V-220V 50-60Hz 1ph
1161 = 115V 60Hz 1ph
1171 = 110V-115V 50-60Hz 1ph
2251 = 220V 50Hz 1ph
2361 = 230V 60Hz 1ph
2363 = 230V 60Hz 3ph
2053 = 200V 50Hz 3ph
2371 = 230V 50-60Hz 1ph
2373 = 230V 50-60Hz 3ph
3853 = 380V 50Hz 3ph
4053 = 400V 50Hz 3ph
4663 = 460V 60Hz 3ph
4673 = 460V 50-60Hz 3ph

T = TEFC motor
D = ODP motor
I = IEEE

Nominal Motor HP
-1/3 = 1/3hp
-1/2 = 1/2hp
-1.0 = 1hp
-3.0 = 3hp
-5.0 = 5hp
-7.5 = 7hp
-10 = 10hp

Impeller size in inches
-250 = 2.50"

D = Dual Voltage Motor
Blank = Motor is only rated voltage listed

PUMPS

PUMP ASSEMBLIES AND PUMP PACKAGES					
New Part Number	List Price USD	New Description	Seal Kit	Impeller #	Old Part Number/Ref #
P060 Pumps					
225480010	\$ 2,050.00	PUMP ASY P060S-2373D-275-1/2D	337428		225500026 225500071
225480011	\$ 2,075.00	PUMP ASY P060S-2373D-350-1/2D	337428		225500012
225480012	Call for Pricing	PUMP PNTC P060S-2373D-350-1/2D	337428		225500062
225480013	\$ 2,300.00	PUMP ASY P060S-2053D-375-1/2T	337428		225500011
225480026	\$ 2,100.00	PUMP ASY P060S-2373D-400-1/2D	337428		225500314
P102 Pumps					
225480005	\$ 3,250.00	PUMP PNTC P102S-1171R-441-3/4D 1.5X1.5	337428		225500275
225480015	\$ 3,000.00	PUMP ASY P102S-1171R-441-3/4D	337428		225500280
225480014	\$ 3,420.00	PUMP ASY P102S-1171R-441-3/4T	337428		225500290
225480023	\$ 3,520.00	PUMP ASY P102R-2373D-441-3/4D	337428		225500315
P112 Pumps					
225480002	\$ 2,050.00	PUMP ASY P112S-1171D-350-1/2D	337428		225500059
260115509	\$ 3,800.00	PMP PKG P112S-1171D-350-1/2D W/DTSCH W/EXP TANK	337428		260115033
260115501	\$ 3,750.00	PMP PKG P112S-1171D-350-1/2D W/EXP TANK	337428		260110514
225480016	\$ 2,150.00	PUMP ASY P112S-2373D-350-1/2D	337428		225500028 225500082
260115503	Call for Pricing	PMP PKG P112S-2373D-350-1/2D W/EXP TANK	337428		260110527
225480017	Call for Pricing	PUMP ASY PNTD P112S-2373D-350-1/2D	337428		225500133
225480018	\$ 2,225.00	PUMP ASY P112S-1171D-375-3/4T	337428		225500291
225480019	\$ 2,250.00	PUMP ASY P112S-2373D-375-3/4D	337428		225500292
225480008	\$ 2,150.00	PUMP ASY P112S-2251-400-3/4T 1.5"X1.5" IGNITION PROTECTED	337428		225500033
260115504	\$ 4,000.00	PMP PKG P112S-2251-400-3/4T W/EXP TANK	337428		260110524
225480007	\$ 2,300.00	PUMP ASY P112S-2253D-400-3/4T 1.5"X1.5" IGNITION PROTECTED	337428		225500031 225500032 225500041
225480001	\$ 2,400.00	PUMP ASY P112S-1171D-400-1.0D 1.5"X1.5"	337428		225369928
260115506	\$ 4,400.00	PMP PKG P112S-1171D-400-1.0D W/EXP TANK	337428		260110521
260115507	\$ 4,400.00	PMP PKG P112S-2361D-400-1.0D VERT DSCH W/EXP TANK	337428		260110523
225480020	\$ 2,350.00	PUMP ASY P112S-2373D-400-1.0D	337428		225500083
225480022	\$ 2,400.00	PUMP ASY P112S-2251D-425-1.0T 1.5"X1.5"	337428		225500287
225480009	\$ 2,550.00	PUMP ASY P112S-1161D-425-1.5D	337428		225500121
260115500	\$ 4,400.00	PMP PKG P112S-1161D-425-1.5D W/EXP TANK	337428		260110533
225480024	\$ 2,550.00	PUMP ASY P112S-2251D-425-1.5T	337428		225500121
260115508	Call for Pricing	PMP PKG P112S-2251D-425-1.5T W/EXP TANK	337428		260110533
225480004	\$ 2,400.00	PUMP ASY P112S-2053D/460-1.0D	337428		225500211
225480006	\$ 2,550.00	PUMP ASY P112S-1171D-450-1.5T 1.5"X1.5" IGNITION PROTECTED	337428		225500338
260115502	\$ 4,800.00	PMP PKG P112S-1171D-450-1.5T W/EXP TANK	337428		260110532

PUMPS

PUMP ASSEMBLIES AND PUMP PACKAGES CONTINUED					
New part number	List Price USD	New Description	Seal Kit	Impeller #	Old Part Number
225480025	\$ 2,750.00	PUMP ASY P112S-2373D-450-2.0D	337428		225500307
225480021	\$ 2,750.00	PUMP ASY P112S-2251D-475-1.5T 1.5"X1.5"	337428		225500334
260115510	\$ 5,000.00	PUMP PKG P112S-2251D-475-1.5T W/EXP TANK	337428		260110520
225480003	\$ 2,550.00	PUMP ASY P112S-2053D-475-1.5D 1.5"X1.5"	337428		225500030
260115505	Call for Pricing	PMP PKG P112S-2053D-475-1.5D W/EXP TANK	337428		260110526
MARCH/FRANKLIN PUMPS					
225500004	\$ 430.00	PUMP ASY PML250 115/50-60/1-			LC-2CP-MD 115 V
225500226	\$ 430.00	PUMP ASY PML250 115V NO FITTINGS			LC-2CP-MD 115 V
225500014	\$ 440.00	PUMP ASY PML250C 230/50-60/1-		051701	LC-2CP-MD 230 V
225500227	\$ 440.00	PUMP ASY PML250C 230V NO FITTINGS		051701	LC-2CP-MD 230 V
225500005	\$ 525.00	PUMP ASY PML500 115/50-60/1		330118	LC-3CP-MD 115 V
225500016	\$ 560.00	PUMP ASY PML500C 50-60HZ/1		330118	LC-3CP-MD 230 V
225500064	\$ 540.00	PUMP ASY PMA500 115V/60 3/4"IN		330118	
225500068	\$ 550.00	PUMP ASY PMA500C 230/60/1 3/4I		330118	
225500067	\$ 550.00	PUMP ASY PMA500CK 220/50/1		330118	
225500065	\$ 615.00	PUMP ASY PMA1000 115/50-60 3/4		334080	AC-5C-MD 115 V
225500069	\$ 635.00	PUMP ASY PMA1000C 230/50-60/1		334080	AC-5C-MD 230 V
225500276	\$ 1,225.00	PUMP PML1000 SUBMERSIBLE 115V		334080	LC-5C-MD 115 V
225500288	\$ 1,250.00	PUMP PML1000C SUBMERSIBLE 230V		334080	LC-5C-MD 230 V
P100/P120/P700/P715					
225500001	\$ 1,375.00	PUMP ASY P100 1161 1/3HP 2.5"	333990	333992	67
225500072	\$ 1,375.00	PUMP ASY P100Z 2371 1/3HP 2.5"	333990	333992	67
225500102	\$ 1,370.00	PUMP ASY P120 2371 1/3HP 3"	339639	339674	67
225500066	\$ 1,375.00	PUMP ASY P700Z 2371 1/3" 3.5"	339639	339675	67
225500154	\$ 4,050.00	PUMP ASY P715CW 2373 1.5HP 4"	333169	1039104	17
225500159	\$ 4,200.00	PUMP ASY P715CW 2373 2HP 4.5"	333169	334747	17
225500161	\$ 4,200.00	PUMP ASY P715CW 2253/3853 2HP 4.75"	333169	1099103	17
225500165	\$ 5,375.00	PUMP ASY P715CW 2253/3853 3HP 4.75"	333169	334650	121
225500135	\$ 4,650.00	PUMP ASY P715SW 2373 1.5HP 4"			162
225500138	\$ 4,650.00	PUMP ASY P715SW 3853 1.5HP 4.5"			182
225500142	\$ 5,000.00	PUMP ASY P715SW 2253/3853 2HP 4.75"			162
225500162	\$ 5,500.00	PUMP ASY P715CW 2363 3HP 4.5"			206
225500169	\$ 6,250.00	PUMP ASY P715CW 3853 5HP 5.13"			206
PRIMETIME PUMPS					
225500346	\$ 1,250.00	PUMP DP-PT 115V 50/60HZ 4'CORD			
225500348	\$ 1,250.00	PUMP DP-PT 230V 50/60HZ 4'CORD			

PUMPS

Circulated Water Pump Packages

With diaphragm-style expansion tanks

Item No.	List Price (USD)	Description
260110515	\$2,345.00	Pump Pkg PMA1000, tank, 115/60/1
260110516	\$2,400.00	Pump Pkg PMA1000C, tank, 230/50-60/1
260110517	\$2,500.00	Pump Pkg PMA1000CK, tank 240/50/1
260110519	\$3,050.00	Pump Pkg P120Z, tank, 230/50-60/1
260110512	\$3,100.00	Pump Pkg P700Z, tank, 230/50-60/1

Note: Includes pump, drain pan, fill assembly w/press, regulator, expansion tank, gauge, and hosebarbs.

Pump Accessories

Item Number	List Price (USD)	Description
Seawater Strainers		
332784	\$75.00	Seawater Strainer, 3/4" FPT, Plastic Housing
1011100	\$315.00	ST3/4N, Seawater Strainer, 3/4" FPT, Groco
1011200	\$405.00	ST1N, Seawater Strainer, 1" FPT, Groco
1011300	\$460.00	ST1-1/4N, Seawater Strainer, 1-1/4" FPT, Groco
Through-Hull Fittings		
1050800	\$110.00	STH3/4, Scoop Type Through-Hull, Bronze, 3/4" MPT
1049900	\$165.00	STH1-1/4, Scoop Type Through-Hull, Bronze, 1-1/4" MPT
1051800	\$75.00	Flush Overboard Through-Hull, Bronze, 3/4" MPT
1054100	\$39.00	Fitting Thru-Hull Plastic 1/2" MPT X 5/8" Hose
Ball Valves		
330868	\$85.00	BV3/4, Ball Valve, Bronze & Stainless, 3/4" FPT
1060600	\$140.00	Ball Valve, Bronze , 1" FPT
1060700	\$180.00	Ball Valve, Bronze , 1 1/4" FPT
Hose Barbs/Adapters		
361040	\$8.74	Brass Hose Barb, 1/2" MPT x 5/8" (16mm) HB
361080	\$14.00	Brass Hose Barb, 3/4" MPT x 3/4" (19mm) HB
361060	\$26.00	Brass Hose Barb, 1" MPT x 1" (25mm) HB
1011700	\$18.00	Adapter Bronze 1/2" MPT X 5/8" Hose
1011600	\$19.00	Adapter Bronze 3/4" MPT X 3/4" Hose
335080	\$8.57	Adapter PVC 1/2" FPT X 5/8" Hose #1435-005
1054200	\$4.37	Adapter PVC 1/2" MPT X 5/8" Hose
1054700	\$6.75	Adapter PVC 90° Elbow 1/2" FPT X 5/8" Hose
335380	\$6.43	Adapter PVC 90° Elbow 1/2" MPT X 5/8" Hose
1055700	\$18.00	Adapter PVC 3/4" FPT X 3/4" Hose
1054400	\$8.91	Adapter PVC 3/4" MPT X 5/8" Hose
335230	\$3.21	Adapter PVC 3/4" MPT X 3/4" Hose
335350	\$7.80	Adapter PVC 3/4" MPT X 1" Hose
1056000	\$12.00	Adapter PVC 90° Elbow 3/4" MPT X 3/4" Hose
1056700	\$14.00	Adapter PVC 90° Elbow 3/4" FPT X 1" Hose
335340	\$5.36	Adapter PVC 1" MPT X 3/4" Hose
1053600	\$19.00	Adapter PVC 1" FPT X 1" Hose
335200	\$4.37	Adapter PVC 1" MPT X 1" Hose
1056800	\$23.00	Adapter PVC 1-1/4" FPT X 1-1/4" Hose
335085	\$5.47	Adapter PVC 1-1/4" MPT X 1-1/4" Hose
Pump Manifolds - PVC Construction		
220300007	\$40.00	2 Unit Spud Manifold-"U" Configuration (1/2"FPT x 1/2"HB x 1/2"HB)
220300008	\$20.00	2 Unit Spud Manifold-"T" Configuration (1/2"FPT x 1/2"HB x 1/2"HB)
220300009	\$20.00	2 Unit Spud Manifold-"F" Configuration (1/2"FPT x 1/2"HB x 1/2"HB)
220300003	\$120.00	3 Unit Spud Manifold (3/4"HB w/ (3) 1/2"HB outlets)
220300004	\$140.00	4 Unit Spud Manifold (1"HB w/ (4) 1/2" HB outlets)
220300005	\$175.00	5 Unit Spud Manifold (1"HB w/ (5) 1/2" HB outlets)
220300006	\$185.00	6 Unit Spud Manifold (1"HB w/ (6) 1/2" HB outlets)

PUMPS

Pump Accessories (cont.)		
Item Number	List Price (USD)	Description
Seawater Hose/Kits		
226000006	\$4.18	5/8" White Reinforced Seawater Hose - sold in 1' lengths (roll=250')
1022312	\$6.69	Seawater Hose, 3/4" ID, per Foot
226000049	\$105.00	Hose Seawater 5/8" x 25' White
225600010	\$460.00	3/4" Seawater Kit (thru hull, strainer, speed scoop, & ball valve)
225600015	\$990.00	1" Seawater Kit (thru hull, strainer, speed scoop, & ball valve)
225600021	\$90.00	1/2" Seawater Strainer with Bracket
298001188	\$16.00	Mounting Bracket 3/4" Strainer above
Impellers		
333992	\$230.00	P100 Impeller, 2 1/2" Imp
330345	\$245.00	P110 Impeller, 2 3/4" Imp
333997	\$230.00	P120 Impeller, 3" Imp
333995	\$230.00	P700 Impeller, 3 1/2" Imp, 1ph
330069	\$315.00	P700 Impeller, 3 1/2" Imp, 3ph
330283	\$320.00	P700 Impeller, 3" Imp, 3ph
330349	\$325.00	P710 Impeller, 3 1/2" Imp, 1ph/3ph
330353	\$325.00	P711 Impeller, 4" Imp, 60hz
335155	\$320.00	P711 Impeller, 4 1/4" #78
1039102	\$320.00	P711 Impeller, 4 1/2" #78
332597	\$320.00	P711 Impeller, 4 3/4" Imp, 3ph, 50hz
334747	\$1,130.00	P715 SW/CW Impeller, 4.5" #17
334650	\$1,265.00	P715 SW/CW Impeller, 4.75"
1014000	\$1,330.00	P715 SW/CW Impeller 5.12"
1038099	\$435.00	PH3000B3X Impeller, 4"
1038906	\$280.00	PH4000B3X Impeller, 4"
055100	\$115.00	P1500 Impeller
1031102	\$160.00	P3000 Impeller Kit 3"
1031103	\$160.00	PH3000 Impeller Kit 3 1/2"
March Pumps Accessories		
PM-250		
331073	\$41.00	Plastic Mount Base PM/PMP/PML250 & PML500
334005	\$245.00	PML250/P400 Wet End Assy
PM-500		
330123	\$255.00	PML500 Wet End Assy (Pump Head, Imp., Gaskets & Seal)
331692	\$180.00	PMA500 Wet End Assy (Pump Head, Imp., Gaskets & Seal)
725115006	\$250.00	A-508P, Pump Head Assy. PM/PMP/PML500
050800	\$15.00	O-Ring PM/PMP/PML/PMA500 Head Cover
052401	\$15.00	O-Ring PM/PMP/PML500 Housing
334090	\$110.00	PML500 Impeller, 2 1/4" Imp (Black old style)
330118	\$90.00	PML500 Impeller, 2 3/8" Imp (White new style)
725115001	\$75.00	Mount Kit PMA500 & PMA1000
334058	\$315.00	P510 Little Giant Wet End Assy
PM-1000		
334007	\$240.00	PMA1000 March Wet End Assembly (Pump Head, Impeller, Gaskets, and Seal)
725115004	\$220.00	Pump Head Assy. PMA1000 Complete
330066	\$190.00	PMA1000 Impeller, 2 5/8" Imp (Little Giant)
050900	\$15.00	O-Ring Headcover PMA1000 Pump
334080	\$90.00	P300/PMA1000 Impeller, 2 7/8" Imp
Scot Pumps Seal/Gasket Kits		
333990	\$95.00	Seal Kit #67-68 (P100-P700-PS1500BX- PS2200BX)
333169	\$240.00	Seal Kit #16B-17 type 206 - #121 type TCX (P715)
330071	\$155.00	Seal Kit #72-78 (P710-P711-PS1500B3X - PH3000B3X, P3600BX - PH4000B3X)
335216	\$70.00	Seal Kit PS700 (Z) & PS715
332068	\$320.00	Seal Kit #17 type 17 - #121 type 121 CW 1.5"

PUMPS

Pump Accessories (cont.)		
Item Number	List Price (USD)	Description
Oberdorfer Pumps Accessories		
1031000	\$675.00	P1500 Pump Head Assy
297000040	\$120.00	Mount Kit P1500/P3000/PH3000BXT
1031101	\$890.00	Housing with hardware P3000/PH3000 Pumps
725112000	\$265.00	Seal Kit P1200 (beginning serial #449xxxxx, dated 12/5/04)
725115007	\$105.00	Seal Kit P1500BX/L old gasket w/seals (w/serial #s before 515xxxx, 4/15/05)
725115000	\$145.00	Seal Kit P1500BX (beginning w/ serial # 515xxxxx, dated 4/15/05)
725115002	\$100.00	Seal Kit P3000BXL old style (w/ serial #s before 449xxxxx, dated 12/5/04)
725130000	\$145.00	Seal Kit P3000BX & BXL (beginning w/ serial #s 449xxxxx, dated 12/5/04)
1032310	\$275.00	Kit Pump Repair P1200B old style w/ seals, gasket & impeller
055000	\$9.79	Gasket Head P1500 (use w/ serial #s before #515xxxxx, 4/15/05)
056000	\$7.47	Gasket Head P3000 (use w/ serial #s before #449xxxxx, 12/5/04)
Water Fittings & Manifolds		
338454	\$4.28	Bushing, PVC, 1/2" FPT x 3/4" MPT
220300153	\$120.00	M11-2, 1/2" FPT Inlet, 2x 5/8" 90° Outlet
220300147	\$120.00	M12-2, 3/4" FPT Inlet, 2x 5/8" Outlets
220300148	\$225.00	M12-3, 3/4" FPT Inlet, 3x 5/8" Outlets
220300152	\$295.00	M12-4, 3/4" FPT Inlet, 4x 5/8" Outlets
220300155	\$180.00	M16-2, 1" FPT Inlet, 2x 5/8" Outlets
220300151	\$245.00	M16-3, 1" FPT Inlet, 3x 5/8" Outlets
220300150	\$295.00	M16-4, 1" FPT Inlet, 4x 5/8" Outlets
220300149	\$345.00	M16-5, 1" FPT Inlet, 5x 5/8" Outlets
220300154	\$425.00	M16-6, 1" FPT Inlet, 6x 5/8" Outlets
220300161	\$465.00	M16-7, 1" FPT Inlet, 7x 5/8" Outlets

MARINE AIR AUTHORIZED DISTRIBUTORS & DEALERS ONLY

Pump Relays		
224110040	\$285.00	Two Unit Solid State Relay, 115V/230V 1phase
224110050	\$340.00	Two To Six Unit Solid State Relay, 115V/230V 1phase
TBD *	Call for Pricing	Two To Six Unit Solid State Relay, 230V 3phase *
* Note: When ordering 3 phase PRP please supply pump size, amp draw, horse power, and/or part number.		

PUMPS

CRUISAIR AUTHORIZED DISTRIBUTORS & DEALERS ONLY

Item Number	List Price (USD)	Model	Capacity	Power	Ign. Prot	Inlet	Outlet
225500273	\$1,500.00	P1200BXT-SP	1200 @ 5'	115/230V, 50/60H	No	1" FPT	1" FPT
225500270	\$1,190.00	P1500BXT	1320 @ 5'	115/230V, 50/60H	No	3/4" FPT	1/2" MPT
225500284	\$1,350.00	PS1500BX	1500 @ 7'	115/230V, 50/60H	No	1 1/4" FPT	1" FPT
225500363	\$1,400.00	PS1800BX	1800 @ 15'	115/230V, 50/60H	No	1 1/4" FPT	1" FPT
225500279	\$1,350.00	PS2200BX	2200 @ 15'	115/230V, 50/60H	No	1 1/4" FPT	1" FPT
225500271	\$1,525.00	P3000BXT	3000 @ 7'	115/230V, 50/60H	No	1 1/4" FPT	1" FPT
225500272	\$1,550.00	PH3000BXT	3000 @ 20'	115/230V, 50/60H	No	1 1/4" FPT	1" FPT
225480026	\$2,100.00	PS3000B3X	3000 @ 20'	230/460V, 50/60H	No	1 1/4" FPT	1" FPT
Pump Relays, Triggers & Parts							
724200022	\$310.00	PR3X, Pump Relay, 115/230V, Up to 3 Triggers (not included)					
724200017	\$340.00	PR3X-2, Pump Relay, 115/230V, with two 115V Triggers					
724200015	\$340.00	PR3X-2C, Pump Relay, 115/230V, with two 230V Triggers					
724200018	\$365.00	PR3X-3, Pump Relay, 115/230V, with three 115V Triggers					
724200016	\$365.00	PR3X-3C, Pump Relay, 115/230V, with three 230V Triggers					
724200019	\$325.00	PR8X, Pump Relay, 115/230V, Up to 8 Triggers (not included)					
724200024	\$435.00	PR8X-4, Pump Relay, 115/230V, with four 115V Triggers					
724200020	\$435.00	PR8X-4C, Pump Relay, 115/230V, with four 230V Triggers					
724200021	\$460.00	PR8X-5C, Pump Relay, 115/230V, with five 230V Triggers					
724200027	\$490.00	PR8X-6C, Pump Relay, 115/230V, with six 230V Triggers					
724200026	\$525.00	PR8X-7C, Pump Relay, 115/230V, with seven 230V Triggers					
4134000	\$185.00	Relay Solid State 25 AMP 48-280VAC					
4134100	\$185.00	Relay Solid State 40 AMP 48-280VAC					
4134200	\$265.00	Relay Solid State 75 AMP 48-280VAC					
758000006	\$43.00	A-548, Replacement To-3 Triac					
701800008	\$100.00	A-551, Stud Triac . Assy.					
298001772	\$16.00	A-552, Relay P.C. Board PR3X, PR8X, PWX					
TR115	\$75.00	Relay Trigger 115V- PR3X 8X & PWX					
TR230	\$75.00	Relay Trigger 230V- PR3X 8X & PWX					
4130830	\$250.00	Contactor 120V 3 Pole 30A, use on all D & E Models with 115V control					
4130630	\$240.00	Contactor 240V 3 Pole 30A, use on all DC & EC Models with 230V control					

Circulating Loop Components

CW Loop Components

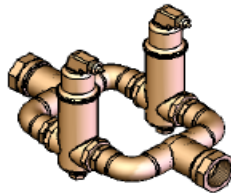
Item	List Price (USD)	Description
Expansion Tanks		
1063515	\$155.00	Exp Tank, 2 gal, up to 30-tons, 1/2" MPT
1063530	\$240.00	Exp Tank, 4.4 gal, up to 60-tons, 1/2" MPT
1063560	\$505.00	Exp Tank, 7.6 gal, up to 100-tons, 1/2" MPT
Note: Select tank based on total air handler capacity.		
Fill Components		
263400101	\$350.00	HWRV Fill Assembly, 1/2"FPT, Press. Reducer & Fill Valve
334758	\$225.00	Press. Reducing Valve, 12psi, fast-fill, 1/2" FPT
335225	\$665.00	Backflow preventer fill line, 1/2"FPT (Reduced Press Zone)
1070200	\$215.00	Back Flow Preventer 1/2" FPT (not permanent connection)
1070201	\$400.00	Pressure Regulator/Relief Valve 1/2" FPT
1070030	\$70.00	Pressure Gauge, 0 - 30 PSI, 1/4" MPT
1070031	\$70.00	Pressure Gauge, 0 - 60 PSI, 1/4" MPT



Air/Dirt/Air-and-Dirt Separators

334152	\$215.00	1/2" Spirotop (install at high points in CW system)
334132	\$460.00	1-1/4" inline Spirovent, 15gpm (60k BTU/hr)X
334151	\$645.00	1-1/2" inline Spirovent, 30gpm (120k BTU/hr)X
297700297	\$3,230.00	DSV2/240 Dual Spirovent, 2" FPT, 60gpm (240k BTU/hr)

*If interested in these items, please contact your Cruisair Sales/Applications Representative.



Loop Y-Strainers

1010012	\$235.00	"Y" Strainer, Bronze, 1 1/4" FPT
335345	\$420.00	"Y" Strainer, Bronze, 1 1/2" FPT
335404	\$535.00	"Y" Strainer, Bronze, 2" FPT
335263	\$865.00	"Y" Strainer, Bronze, 2 1/2" FPT
335264	\$1,170.00	"Y" Strainer, Bronze, 3" FPT

Balancing Flow Controls (see note)

264600006	\$430.00	Balancing Flow Control, 1/2" FPT
264600011	\$485.00	Balancing Flow Control, 3/4" FPT
264600009	\$485.00	Balancing Flow Control, 3/4" FPT
264600007	\$485.00	Balancing Flow Control, 3/4" FPT
264600015	\$620.00	Balancing Flow Control, 1" FPT
264600014	\$620.00	Balancing Flow Control, 1" FPT
264600013	\$620.00	Balancing Flow Control, 1" FPT
264600020	\$670.00	Balancing Flow Control, 1 1/4" FPT
264600019	\$670.00	Balancing Flow Control, 1 1/4" FPT
264600017	\$670.00	Balancing Flow Control, 1 1/4" FPT
264600016	\$670.00	Balancing Flow Control, 1 1/4" FPT

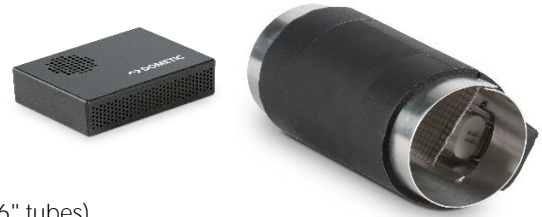
Notes:

1. Subtract Chiller capacity (BTU/hr) from total Air Handler capacity to get BFC size (BTU load).
2. If an exact BFC size is not available, select the next smaller size.

Add Ons And Specialty Units

Breathe Easy™ Air Purifier

Item Number	List Price (USD)	Description
4210805	\$135.00	Breathe Easy™ Prtble Air Purifier, 12-115-230
229801254	\$665.00	Breathe Easy™ UV Tube 4"
229801255	\$665.00	Breathe Easy™ UV Tube 5"
229801252	\$665.00	Breathe Easy™ UV Tube 6"
229801253	\$765.00	Breathe Easy™ UV Tube 7"
229801256	\$765.00	Breathe Easy™ UV Tube 8"
229801604	\$840.00	Breathe Easy™ UV Tube 10"
4210800	\$95.00	Lamp, UV 5" Induct (used in 4, 5 and 6" tubes)
4210827	\$105.00	Lamp, UV 8" Induct/AU Air Handlers (used in 7 and 8" tubes)
4210833	\$115.00	Ballast, UV Lamp (AU Air Handlers)



WhisperFan Controller

4220054	\$885.00	WhisperFan Controller 115V
4220053	\$885.00	WhisperFan Controller 230V



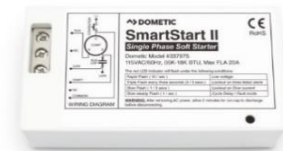
Sound Covers (Turbo Units)

8010106	\$225.00	Tall VT/ST/DTU 6-8K
8010110	\$225.00	Short, VT/ST/DTU 10-12K
8010112	\$225.00	Tall, VT/ST10-12K
8010114	\$225.00	Short, VT/ST/DTU 14-16K
8010116	\$225.00	Tall, VT/ST14-16K
336019	\$13.00	Sound Cover VT/ST Hardware Pack

	Gas	R22 & R417A			R410A
Voltage		115V	230V	220V	ALL
6K & 8K	8010106	8010106	8010106	8010106	8010106
10K	8010110	8010110	8010110	8010112	8010110
12K	8010112	8010112	8010112	8010110	8010110
14K	8010114	8010116	8010116	8010116	-
16K	8010114	8010116	8010116	8010114	8010114

Smart Start™ Devices (Reduce Startup Surge)

290339974	\$550.00	SmartStart, 1161 9A LRA 30A-45A, 6K-18K
290339975	\$550.00	SmartStart, 1161 16A LRA 45A-70A, 12K-30K
290339976	\$550.00	SmartStart, 2361 16A LRA 30A-85A, 36K-60K
290339977	\$550.00	SmartStart, 2361 32A LRA 85A-175A, 36K-60K
4220045	\$15.00	SmartStart Mounting Tray



Auxiliary Duct Heaters (Heat Modules)

715230214	\$795.00	HMDL1-5, 1KW, 5", 115V
715230125	\$825.00	HMDL1.5-6, 1.5KW, 6", 115V
715230123	\$825.00	HMDL1.5-7, 1.5KW, 7", 115V
715230213	\$795.00	HMDL1C-5, 1KW 5", 230V
715230126	\$825.00	HMDL1.5C-6, 1.5kW, 6", 230V
715230212	\$825.00	HMDL2-7, 2KW, 7", 115V
HMDL2C-7	\$825.00	HMDL2C-7, 2KW, 7", 230V
715230730	\$815.00	HMDL3C-9, 3KW, 9", 230V
724600007	\$455.00	Auxiliary Heat Relay, 75Amp, 230V



Pilot House Defroster

215212005	\$3,000.00	PHD12HVZ-1.5KW Defroster, 230V, 3" rings
223150010	\$475.00	Control PHD/Z-WHT 3Position: DEF/FAN/Off
223150011	\$475.00	Control PHD/Z-BLK 3Position: DEF/FAN/Off



Add Ons And Specialty Units

Pilot House Defroster Sign-off

REV	DATE	REVISION DESCRIPTION	DWG	APR
A	4/16/02	UPDATE PROPRIETARY NOTE, ADD REV BLK, CAD225-02	DRR	JES
B	1/10/05	REMOVED MARINE AIR FROM TITLE BLOCK, CAD028-05	DRR	JES

PROPRIETARY NOTE: THE INFORMATION CONTAINED WITHIN THIS DOCUMENT IS THE PROPERTY OF DOMETIC CORPORATION. ANY ATTEMPT TO COPY OR DISTRIBUTE WITHOUT WRITTEN CONSENT FROM DOMETIC CORPORATION SHALL BE CONSIDERED UNLAWFUL AND CAN BE CONTESTED IN A COURT OF LAW.

PLEASE INDICATE AIR OUTLET CONFIGURATION, OBROUND OR ROUND RINGS AND RING SIZE ON THE APPROPRIATE SIDE OF DEFROSTER

HOLE SIZES FOR RINGS:
 3" - 3.125"
 4" - 4.0625"
 5" - 4.9375"
 6" - 6.0625"
 7" - 7.0625"
 5" OB - 6.375 X 2.250"
 6" OB - 7.250 X 3.250"
 7" OB - 9.0625 X 3.250"

MINIMUM OUTLET AREA IS 58 SQ. IN.
 AREA SIZES ARE:
 3" = 7.07 SQ. IN.
 4" = 12.6 SQ. IN.
 5" = 19.6 SQ. IN.
 6" = 28.3 SQ. IN.
 7" = 38.5 SQ. IN.

MINIMUM DISTANCE BETWEEN HOLE AND EDGE OF SIDE IS .500"

MINIMUM DISTANCE FROM HOLE EDGE TO HOLE EDGE IS .250"

EXAMPLE 1

EXAMPLE 3

EXAMPLE 2

EXAMPLE 4

CUSTOMER SIGN OFF	
DATE: _____	
COMPANY NAME: _____	
YACHT MODEL: _____	
SIGNATURE: _____	
PRINT NAME: _____	

DOMETIC

PILOT HOUSE DEFROSTER - CUSTOMER SIGN OFF
DUCTING RING LOCATIONS AND CONFIGURATION

DATE: 7-31-96	DWG BY: RMW	PART NUMBER: N/A	DWG	M3020030	REV B
SCALE: 1/8	APR BY: D D				

Add-ons and Specialty Units

Chill Chasers

Item Number	List Price (USD)	KW	Description
Aux. Heater Assemblies AT Units			
264200021	\$595.00	1KW	CHL CHSR 1KW AT6LH W/CVR
264400510	\$595.00	1KW	CHL CHSR 1KW AT6RH W/CVR
264400506	\$595.00	1KW	CHL CHSR 1KW AT18LH W/CVR
264400517	\$595.00	1KW	CHL CHSR 1KW AT18RH W/CVR
264400520	\$595.00	1KW	CHL CHSR 1KW AT24LH W/CVR
264400521	\$595.00	1KW	CHL CHSR 1KW AT24RH W/CVR
264400508	\$635.00	1.5KW	CHL CHSR 1.5KW AT9/16LH-CVR
264400528	\$635.00	1.5KW	CHL CHSR 1.5KW AT9RH-CVR
264400531	\$635.00	1.5KW	CHL CHSR 1.5KW AT12LH-CVR
264400532	\$635.00	1.5KW	CHL CHSR 1.5KW AT12RH-CVR
264400535	\$635.00	1.5KW	CHL CHSR 1.5KW AT18LH-CVR
264400536	\$635.00	1.5KW	CHL CHSR 1.5KW AT18RH-CVR
264400538	\$635.00	1.5KW	CHL CHSR 1.5KW AT24LH-CVR
264400542	\$635.00	1.5KW	CHL CHSR 1.5KW AT36LH-CVR
264400507	\$695.00	2KW	CHL CHSR 2KW AT12LH W/CVR
264400502	\$670.00	2KW	CHL CHSR 2X1KW AT18LH W/CVR
264400573	\$670.00	2KW	CHL CHSR 2X1KW AT18RH W/CVR
264400546	\$670.00	2KW	CHL CHSR 2X1KW AT24LH W/CVR
264400547	\$670.00	2KW	CHL CHSR 2X1KW AT24RH W/CVR
264400555	\$755.00	3KW	CHL CHSR 2X1.5KW AT18LH-CVR
264400553	\$755.00	3KW	CHL CHSR 2X1.5KW AT18RH-CVR
264400503	\$755.00	3KW	CHL CHSR 2X1.5KW AT24LH-CVR
Aux. Heater Assemblies AU Units			
264400569	\$600.00	1KW	CHL CHSR 1KW AU6Z-LH/RH-CVR
264400574	\$600.00	1KW	CHL CHSR 1KW AU9-12Z-LH/RH CVR
264400575	\$610.00	1KW	CHL CHSR 1KW AU18Z-LH/RH CVR
264400576	\$610.00	1KW	CHL CHSR 1KW AU24Z-LH/RH CVR
264400565	\$610.00	1.5KW	CHL CHSR 1.5KW AU9-12Z-LH/RH CVR
264400570	\$610.00	1.5KW	CHL CHSR 1.5KW AU18Z-LH/RH CVR
264400572	\$610.00	1.5KW	CHL CHSR 1.5KW AU24Z-LH/RH CVR
264400568	\$695.00	2KW	CHL CHSR 2KW AU9-12Z-LH-CVR
264400564	\$680.00	3KW	CHL CHSR 2X1.5KW AU18Z-LH/RH CVR
264400563	\$680.00	3KW	CHL CHSR 2X1.5KW AU24Z-LH/RH CVR
Aux. Heater Assemblies AU Units with Breathe Easy			
264400611	\$1,130.00	1KW	CHL CHSR BE 1KW AU6Z-LH-CVR
264400610	\$1,130.00	1KW	CHL CHSR BE 1KW AU9-12Z-LH-CVR
264400615	\$1,130.00	1.5KW	CHL CHSR BE 1.5KW AU9-12Z-LH-CVR
264400609	\$1,170.00	1.5KW	CHL CHSR BE 1.5KW AU18Z-LH CVR
264400608	\$1,170.00	1.5KW	CHL CHSR BE 1.5KW AU24Z-CVR
264400616	\$1,490.00	3KW	CHL CHSR BE 2X1.5KW AU18Z-LH CVR
264400614	\$1,490.00	3KW	CHL CHSR BE 2X1.5KW AU24Z CVR

ACCESSORIES

AIR FILTERS			
Item Number	List Price (USD)	Description	Inches (WxL)
Black Mesh Filters Self-Contained Units			
335589	\$1.20	FILTER, MESH PLSTC BLK 18"W RL	
235000508	\$24.00	FILTER, MESH BLK VC/SF/CMC12-16/1	11 x 12.5
235000511	\$24.00	FILTER, MESH BLK VC/SF24	16.5 x 16.75
235000522	\$24.00	FILTER, MESH BLK	9.5 x 11
Micro-Particle Anti-Allergenic Filters Self-Contained Units			
235000600	\$32.00	FILTER, MICRO VC-SF-CL-ZF5(/1)	7.875 x 9
235000601	\$32.00	FILTER, MICRO VC-SF-CMC7(/1)	9.375 x 10
235000602	\$32.00	FILTER, MICRO SXR7	8.125 x 8
235000702	\$55.00	FILTER, MICRO VC-CL-CMC10/1	10.875 x 10
235000604	\$37.00	FILTER, MICRO VC-SF-CMC10 LC-ZF10	11.875 x 10
235000605	\$37.00	FILTER, MICRO VC-SF-CL-ZF-CMC12/1	10.875 x 12
235000606	\$37.00	FILTER, MICRO VC-SF12-16 CL-ZF-CM	11.875 x 12
235000607	\$85.00	FILTER, MICRO VC-SF24(/1)	16.375 x 16
235000638	\$39.00	FILTER, MICRO VT6-8K 10.25HX8.875	8.875 x 10.25
235000639	\$44.00	FILTER, MICRO VT10-12K 11.5HX10.8	10.875 x 11.50
Replacement Filter for EBDE Units			
2030210	\$19.00	FILTER AIR EBDE30-72	18X18X1
Replacement Filters for AU Air handlers			
235000906	\$32.00	FILTER, POLY AU6	8 x 10
235000909	\$42.00	FILTER, POLY AU9-12	10 x 12
235000918	\$47.00	FILTER, POLY AU18	13.5 X 12
235000924	\$60.00	FILTER, POLY AU24	16 x 14
Replacement Filters for AT Air handlers			
235000526	\$16.00	FILTER, MESH BLK AT6	8.25 x 8
235000527	\$16.00	FILTER, MESH BLK AT9	10 x 10
235000528	\$16.00	FILTER, MESH BLK AT12	11.875 x 10
235000529	\$16.00	FILTER, MESH BLK AT18 & 18-MU	13.5 x 13
235000530	\$21.00	FILTER, MESH BLK AT24 & 24-MU	16 x 15.5
235000531	\$31.00	FILTER, MESH BLK AT36	18 x 18
235000535	\$17.00	FILTER, MESH BLK ATL18	7.25 x 25
235000625	\$30.00	FILTER, MICRO AT4	8 x 8
235000626	\$30.00	FILTER, MICRO AT6	8 x 8.25
235000627	\$39.00	FILTER, MICRO AT9	10 x 10
235000628	\$45.00	FILTER, MICRO AT12	10 x 12
235000629	\$80.00	FILTER, MICRO AT15-18	13 x 13.5
235000630	\$95.00	FILTER, MICRO AT24	15.5 x 16
235000631	\$95.00	FILTER, MICRO AT36	18 x 18
235000925	\$47.00	FILTER, POLY AT15/18	13.5 x 13
235000927	\$42.00	FILTER, POLY AT9	10 x 10
235000928	\$42.00	FILTER, POLY AT12	12 x 10
235000929	\$60.00	FILTER, POLY AT24	16 x 15
Replacement Filters for AH Draw thru Air Handlers			
235000051	\$27.00	FILTER, R/A CLMBS 6DT2 AH6DT2,	11 x 9
235000052	\$31.00	FILTER, R/A CLMBS 9/12DT2 AH9-12DT2	14.5 x 11
235000065	\$41.00	FILTER, R/A CLMBS 18DT2 AH18DT2	16 x 14
235000054	\$45.00	FILTER, R/A CLMBS 24DT2 AH24DT2	17 x 15.75



ACCESSORIES

Grilles



Round Plastic Grilles

Item Number	List Price (USD)	Description
228710001	\$16.00	3" Plastic Adapter (to connect 3" ducting to the 4SA)
2060301	\$18.00	Reducer to connect 3" hose to a V4 RND
333438	\$25.00	Round Plastic grille, 2" Euro Style, Black
333441	\$25.00	Round Plastic grille, 2" Euro Style, White
333443	\$25.00	Round Plastic grille, 2" Euro Style, Off-White
333437	\$25.00	Round Plastic grille, 3" Euro Style (flat w/ridged edge), Black
333442	\$25.00	Round Plastic grille, 3" Euro Style (flat w/ridged edge), Off White
333439	\$25.00	Round Plastic grille, 3" Euro Style (flat w/ridged edge), White
2071002	\$25.00	Round Plastic grille, 3" Global Style (convex & smooth), Black
2071003	\$25.00	Round Plastic grille, 3" Global Style (convex & smooth), Off White
2071004	\$25.00	Round Plastic grille, 3" Global Style (convex & smooth), White
339660	\$15.00	Round Plastic grille, 4", Tan
333351	\$15.00	Round Plastic grille, 4", Tan No Damper
335162	\$15.00	Round Plastic grille, 4", Black
V4 RND BROWN	\$15.00	Round Plastic grille, 4", Brown, V4
339284	\$15.00	Round Plastic grille, 4", White
332485	\$15.00	Round Plastic grille, 4", White No Damper
369947	\$15.00	Round Plastic grille,, 4", Off White 4SA
330571	\$15.00	Round Plastic grille, 4", Off White 4SA No Damper
339670	\$15.00	Round Plastic grille, 4", Black 4SA
339680	\$15.00	Round Plastic grille, 4", Brown 4SA
339690	\$15.00	Round Plastic grille, 4", Brown 4SA No Damper
717650003	\$16.00	Round Plastic grille, 4", Beige
335078	\$20.00	Round Plastic grille, 5", White No Damper

Plastic Grilles with Plenums

217316016	\$75.00	V5X5 PGA-4TB, Plastic Discharge grille, Moveable Vanes, w/ 4" Ring on Back
217316025	\$125.00	V8X4 PGA-4TB, Plastic Discharge grille, Moveable Vanes, w/ 4" Ring on Back
217316031	\$125.00	V8X4 PGA-5TB, Plastic Discharge grille, Moveable Vanes, w/ 5" Ring on Back
217316009	\$130.00	V10X4 PGA-5TB, Plastic Discharge grille, Moveable Vanes, w/ 5" Ring on Back
217316021	\$130.00	V10X5 PGA-5TB, Plastic Discharge grille, Moveable Vanes, w/ 5" Ring on Back
217316041	\$135.00	V10X8 PGA-6TB, Plastic Discharge grille, Moveable Vanes, w/ 6" Ring on Back
217316032	\$135.00	V10X8 PGA-7TB, Plastic Discharge grille, Moveable Vanes, w/ 7" Ring on Back
217316038	\$130.00	V12X4 PGA-5TB, Plastic Discharge grille, Moveable Vanes, w/ 5" Ring on Back

Plastic Grilles with Mounting Frames

217316057	\$95.00	V4X10 PGA-R, Plastic Discharge grille, Moveable Vanes, w/ Frame
V6X10 PGA-R	\$100.00	V6X10 PGA-R, Plastic Discharge grille, Moveable Vanes, w/ Frame
217316002	\$90.00	V8X4 PGA-R, Plastic Discharge grille, Moveable Vanes, w/ Frame
217316010	\$100.00	V10X4 PGA-R, Plastic Discharge grille, Moveable Vanes, w/ Frame
217316054	\$120.00	V8X8 PGA-R, Plastic Discharge grille, Moveable Vanes, w/ Frame
217316015	\$130.00	V10X8 PG-RF, Plastic Return-Air grille, Fixed Vanes, w/ Frame and Filter
217316000	\$130.00	V10X10 PG-RF, Plastic Return-Air grille, Fixed Vanes, w/ Frame and Filter
217316052	\$135.00	V10X14 PG-RF, Plastic Return-Air grille, Fixed Vanes, w/ Frame and Filter
217316020	\$135.00	V12X12 PG-RF, Plastic Return-Air grille, Fixed Vanes, w/ Frame and Filter
217316018	\$140.00	V14X12 PG-RF, Plastic Return-Air grille, Fixed Vanes, w/ Frame and Filter

ACCESSORIES

Aluminum Return Air Grilles No Filter			
Item Number	List Price (USD)	Size	Description
V8X6 RA	\$40.00	8X6TRA(AL)	8" x 6" aluminum return grille, 8" louvers - no filter
217300290	\$35.00	8X8TRA(AL)	8" x 8" aluminum return grille, 8" louvers - no filter
217000199	\$41.00	8X11TRA(AL)	8" x 11" aluminum return grille 8" louvers - no filter
217000228	\$30.00	10X4TRA(AL)	10" x 4" aluminum return grille 10" louvers - no filter
V10X6 RA	\$40.00	10X6TRA(AL)	10" x 6" aluminum return grille, 10" louvers - no filter
217300152	\$40.00	10X8TRA(AL)	10" x 8" aluminum return grille, 10" louvers - no filter
V10X10 RA	\$50.00	10X10TRA(AL)	10" x 10" aluminum return grille, 10" louvers - no filter
V10X12 RA	\$50.00	10X12TRA(AL)	10" x 12" aluminum return grille, 10" louvers - no filter
217300012	\$40.00	11X7TRA(AL)	11" x 7" aluminum return grille 11" louvers - no filter
217000202	\$40.00	11X8TRA(AL)	11" x 8" aluminum return grille 11" louvers - no filter
217000226	\$80.00	11X12TRA(AL)	11" x 12" aluminum return grille 11" louvers - no filter
V12X6 RA	\$37.00	12X6TRA(AL)	12" x 6" aluminum return grille, 12" louvers - no filter
335856	\$55.00	12X12TRA(AL)	12" x 12" aluminum return grille 12" louvers - no filter
V12X12 RA	\$55.00	12X12TRA(AL)	12" x 12" aluminum return grille, 12" louvers - no filter
217000224	\$39.00	14X7TRA(AL)	14" x 7" aluminum return grille 14" louvers - no filter
217000223	\$47.00	14X10TRA(AL)	14" x 10" aluminum return grille 14" louvers - no filter
V14X10 RA	\$55.00	14X10TRA(AL)	14" x 10" aluminum return grille, 14" louvers - no filter
217000221	\$55.00	14X12TRA(AL)	14" x 12" aluminum return grille 14" louvers - no filter
V14X14 RA	\$55.00	14X14TRA(AL)	14" x 14" aluminum return grille, 14" louvers - no filter
217300291	\$45.00	16X6TRA(AL)	16" x 6" aluminum return grille, 16" louvers - no filter
217000220	\$47.00	16X9TRA(AL)	16" x 9" aluminum return grille 16" louvers - no filter
217000225	\$50.00	20X5TRA(AL)	20" x 5" aluminum return grille 20" louvers - no filter
217000222	\$50.00	22X7TRA(AL)	22" x 7" aluminum return grille 22" louvers - no filter
V22X14 RA	\$80.00	22X14TRA(AL)	22" x 14" aluminum return grille, 22" louvers - no filter
Aluminum Return Air grilles With Filter			
V8X8 RAFB	\$70.00	8X8TRAF(AL)	8" x 8" aluminum return grille, 8" louvers - filterback
217000238	\$70.00	8X11TRAF(AL)	8" x 11" aluminum return grille 8" louvers - filterback
217000239	\$80.00	10X4TRAF(AL)	10" x 4" aluminum return grille 10" louvers - filterback
V10X10 RAFB	\$80.00	10X10TRAF(AL)	10" x 10" aluminum return grille, 10" louvers - filterback
217000241	\$80.00	11X7TRAF(AL)	11" x 7" aluminum return grille 11" louvers - filterback
217000232	\$80.00	11X8TRAF(AL)	11" x 8" aluminum return grille 11" louvers - filterback
217000236	\$80.00	11X12TRAF(AL)	11" x 12" aluminum return grille 11" louvers - filterback
217000240	\$80.00	12X12TRAF(AL)	12" x 12" aluminum return grille 12" louvers - filterback
V12X12 RAFB	\$80.00	12X12TRAF(AL)	12" x 12" aluminum return grille, 12" louvers - filterback
217000234	\$85.00	14X7TRAF(AL)	14" x 7" aluminum return grille 14" louvers - filterback
217000233	\$85.00	14X10TRAF(AL)	14" x 10" aluminum return grille 14" louvers - filterback
217000230	\$85.00	14X12TRAF(AL)	14" x 12" aluminum return grille 14" louvers - filterback
217300241	\$105.00	14X14TRAF(AL)	14" x 14" aluminum return grille 14" louvers - filterback
217300038	\$150.00	14X20TRAF(AL)	14" x 20" aluminum return grille 14" louvers - filterback
217000229	\$85.00	16X9TRAF(AL)	16" x 9" aluminum return grille 16" louvers - filterback
217000235	\$85.00	20X5TRAF(AL)	20" x 5" aluminum return grille 20" louvers - filterback
217000231	\$90.00	22X7TRAF(AL)	22" x 7" aluminum return grille 22" louvers - filterback
217000237	\$100.00	28X6TRAF(AL)	28" x 6" aluminum return grille 28" louvers - filterback
Aluminum Double Deflection Supply Grilles with Front Blades Vertical			
V5X12 VH	\$50.00	5X12 V-H	Aluminum Discharge grille
V6X4 VH	\$50.00	6X4 VH-H	Aluminum Discharge grille
V6X8 VH	\$50.00	6X8 VH-H	Aluminum Discharge grille
V6X10 VH	\$50.00	6X10 V-H	Aluminum Discharge grille
V6X12 VH	\$50.00	6X12 V-H	Aluminum Discharge grille
V7X7 VH	\$50.00	7X7 VH-H	Aluminum Discharge grille
V8X10 VH	\$50.00	8X10 V-H	Aluminum Discharge grille

ACCESSORIES

Aluminum Double Deflection Supply Grilles with Front Blades Vertical			
Item Number	List Price (USD)	Size	Description
V8X8 VH	\$50.00	8X8 VH-H	Aluminum Discharge grille
V10X4 VH	\$50.00	10X4 V-H	Aluminum Discharge grille
V12X4 VH	\$50.00	12X4 V-H	Aluminum Discharge grille
V12X12 VH	\$65.00	12X12 -H	Aluminum Discharge grille
V14X5 VH	\$50.00	14X5 V-H	Aluminum Discharge grille
V20X4 VH	\$65.00	20X4 V-H	Aluminum Discharge grille
Aluminum Discharge Grilles with Shutoff Damper			
217300085	\$44.00	4X4 VML	Aluminum Discharge grille, with Damper
V6X10 VML	\$60.00	6X10 VML	Aluminum Discharge grille, with Damper
V8X4 VML	\$55.00	8X4 VML	Aluminum Discharge grille, with Damper
V8X6 VML	\$60.00	8X6 VML	Aluminum Discharge grille, with Damper
V8X8 VML	\$60.00	8X8 VML	Aluminum Discharge grille, with Damper
V10X4 VML	\$65.00	10X4 VML	Aluminum Discharge grille, with Damper
V12X4 VML	\$65.00	12X4 VML	Aluminum Discharge grille, with Damper
Aluminum Supply Air Grills - Horizontal Louvers			
217000201	\$30.00	4X4TH(AL)	4"x4"TH anodized supply grille w/4" horizontal louvers
217000197	\$35.00	7X7TH(AL)	7"x7"TH anodized supply grille w/7" horizontal louvers
217000200	\$30.00	8X4TH(AL)	8"x4"TH anodized supply grille w/8" horizontal louvers
217000198	\$30.00	10X4TH(AL)	10"x4"TH anodized supply grille w/10" horizontal louvers
217000208	\$35.00	10X5TH(AL)	10"x5"TH anodized supply grille w/10" horizontal louvers
Aluminum Supply Air Grills - Vertical Louvers			
217000218	\$30.00	10X4TV(AL)	10"x4"TV anodized supply grille w/4" vertical louvers
217300128	\$30.00	12X3TV(AL)	12"x3"TV anodized supply grille w/3" vertical louvers
217300129	\$35.00	12X4TV(AL)	12"x4"TV anodized supply grille w/4" vertical louvers
217300130	\$35.00	12X5TV(AL)	12"x5"TV anodized supply grille w/5" vertical louvers
217300131	\$37.00	12X6TV(AL)	12"x6"TV anodized supply grille w/6" vertical louvers
217300132	\$31.00	14X4TV(AL)	14"x4"TV anodized supply grille w/4" vertical louvers
217300133	\$40.00	14X5TV(AL)	14"x5"TV anodized supply grille w/5" vertical louvers
217300134	\$40.00	14X6TV(AL)	14"x6"TV anodized supply grille w/6" vertical louvers
217300135	\$40.00	14X7TV(AL)	14"x7"TV anodized supply grille w/7" vertical louvers
217300138	\$37.00	16X4TV(AL)	16"x4"TV anodized supply grille w/4" vertical louvers
217300140	\$41.00	18X3TV(AL)	18"x3"TV anodized supply grille w/3" vertical louvers
217300141	\$44.00	20X5TV(AL)	20"x5"TV anodized supply grille w/5" vertical louvers
Teak Return Air Wood Grilles (with Filter)			
217400406	\$150.00	4X8RA(TB)	TK/BRZ
217400419	\$160.00	4X12RA(TB)	TK/BRZ
217400079	\$170.00	8X8RA(TB)	TK/BRZ
217400176	\$170.00	8X10RA(TB)	TK/BRZ
217400143	\$160.00	10X6RA(TB)	TK/BRZ
217400137	\$190.00	10X10RA(TB)	TK/BRZ
217400323	\$200.00	10X12RA(TB)	TK/BRZ
217400081	\$190.00	11X8RA(TB)	TK/BRZ
217400326	\$170.00	12X6RA(TB)	TK/BRZ
217400183	\$210.00	12X12RA(TB)	TK/BRZ
217400147	\$250.00	12X14RA(TB)	TK/BRZ
217400122	\$190.00	14X7RA(TB)	TK/BRZ
217400112	\$200.00	14X10RA(TB)	TK/BRZ
217400111	\$220.00	14X12RA(TB)	TK/BRZ
217400680	\$220.00	14X14RA(TB)	TK/BRZ
217400206	\$190.00	16X6RA(TB)	TK/BRZ
217100103	\$200.00	16X8RA(TB)	TK/BRZ
217400101	\$210.00	16X9RA(TB)	TK/BRZ
217400358	\$355.00	22X6RA(TB)	TK/BRZ

ACCESSORIES

Teak Supply Air Wood Grilles			
Item Number	List Price (USD)	Size	Description
217400000	\$130.00	4X4VH(TB)	TK/BRZ
217400001	\$140.00	6X4VH(TB)	TK/BRZ
217400050	\$150.00	7X7VH(TB)	TK/BRZ
V8X4 VH-T	\$140.00	8X4VH(TB)	TK/BRZ
217400177	\$160.00	8X8VH(TB)	TK/BRZ
217400005	\$150.00	10X4VH(TB)	TK/BRZ
217400078	\$150.00	10X5VH(TB)	TK/BRZ
217400007	\$150.00	12X4VH(TB)	TK/BRZ
217400121	\$160.00	12X5VH(TB)	TK/BRZ
217400123	\$160.00	12X6VH(TB)	TK/BRZ
217400009	\$150.00	14X4VH(TB)	TK/BRZ
217400011	\$160.00	14X5VH(TB)	TK/BRZ
217400013	\$180.00	14X6VH(TB)	TK/BRZ
217400054	\$160.00	16X4VH(TB)	TK/BRZ
Teak Supply Air Wood Grilles with Shutoff Damper			
217400085	\$190.00	4X4VML(TB)	TK/BRZ
217400327	\$200.00	4X6VML(TB)	TK/BRZ
217400325	\$200.00	4X8VML(TB)	TK/BRZ
217400043	\$200.00	6X4VML(TB)	TK/BRZ
217400057	\$200.00	8X4VML(TB)	TK/BRZ
217400125	\$210.00	10X4VML(TB)	TK/BRZ
217400333	\$230.00	10X6VML(TB)	TK/BRZ
217400059	\$210.00	12X4VML(TB)	TK/BRZ

ACCESSORIES

Flexible Air Duct

Item No.	List Price USD	Description
Flexible Duct, Insulated (not UV rated use with Breathe Easy)		
226600045	\$4.18	Insulated Flex Duct, 3", per Foot
226600014	\$4.18	Insulated Flex Duct, 4", per Foot
226600016	\$4.18	Insulated Flex Duct, 5", per Foot
226600015	\$4.18	Insulated Flex Duct, 6", per Foot
226600000	\$4.18	Insulated Flex Duct, 7", per Foot
226600046	\$5.23	Insulated Flex Duct, 8", per Foot
226600055	\$6.27	Insulated Flex Duct, 9", per Foot
226600054	\$6.40	Insulated Flex Duct, 10", per Foot
226600048	\$7.32	Insulated Flex Duct, 12", per Foot
226600077	\$80.00	Insulated Flex Duct, 3", 25 Ft. Length
226600078	\$80.00	Insulated Flex Duct, 4", 25 Ft. Length
226600079	\$90.00	Insulated Flex Duct, 5", 25 Ft. Length
226600080	\$95.00	Insulated Flex Duct, 6", 25 Ft. Length
226600081	\$100.00	Insulated Flex Duct, 7", 25 Ft. Length
226600082	\$100.00	Insulated Flex Duct, 8", 25 Ft. Length
226600022	\$120.00	Insulated Flex Duct, 9", 25 Ft. Length
226600023	\$145.00	Insulated Flex Duct, 10", 25 Ft. Length
226600083	\$175.00	Insulated Flex Duct, 12", 25 Ft. Length
Flexible Duct, Vinyl (Not Insulated)		
226600008	\$6.27	Vinyl Flex Duct, 2", per Foot
226600009	\$6.27	Vinyl Flex Duct, 3", per Foot
226600010	\$6.27	Vinyl Flex Duct, 4", per Foot
226600011	\$7.32	Vinyl Flex Duct, 5", per Foot
226600012	\$8.36	Vinyl Flex Duct, 6", per Foot
226600017	\$9.41	Vinyl Flex Duct, 7", per Foot
226600013	\$13.00	Vinyl Flex Duct, 8", per Foot
226600047	\$20.00	Vinyl Flex Duct, 12", per Foot
226600086	\$120.00	Vinyl Flex Duct, 2", 25 Ft. Length
226600087	\$110.00	Vinyl Flex Duct, 3", 25 Ft. Length
226600088	\$135.00	Vinyl Flex Duct, 4", 25 Ft. Length
226600089	\$145.00	Vinyl Flex Duct, 5", 25 Ft. Length
226600090	\$190.00	Vinyl Flex Duct, 6", 25 Ft. Length
Plastic Grill Transition Boxes with Back Connections (Opposite Grill Opening)		
VTB44-3B	\$50.00	Grill Transition Box, Plastic, 4" x 4", with 3" Ring Back
VTB44-4B	\$50.00	Grill Transition Box, Plastic, 4" x 4", with 4" Ring Back
335635	\$60.00	VTB64-4B, Grill Transition Box, Plastic, 6" x 4", with 4" Ring Back
229500057	\$60.00	VTB84-4B, Grill Transition Box, Plastic, 8" x 4", with 4" Ring Back
229500195	\$60.00	VTB84-5B, Grill Transition Box, Plastic, 8" x 4", with 5" Ring Back
229500058	\$80.00	VTB104-5B, Grill Transition Box, Plastic, 10" x 4", with 5" Ring Back
229501524	\$85.00	VTB106-5B, Grill Transition Box, Plastic, 10" x 6", with 5" Ring Back
229501523	\$90.00	VTB106-6B, Grill Transition Box, Plastic, 10" x 6", with 6" Ring Back
Plastic Grill Transition Boxes with End Connections (On Small Dimension)		
229500071	\$65.00	VTB44-4E, Grill Transition Box, Plastic, 4" x 4", with 4" Ring End
335634	\$65.00	VTB64-4E, Grill Transition Box, Plastic, 6" x 4", with 4" Ring End
335195	\$80.00	VTB84-4E, Grill Transition Box, Plastic, 8" x 4", with 4" Ring End
VTB104-4E	\$80.00	Grill Transition Box, Plastic, 10" x 4", with 4" Ring End



ACCESSORIES

Plastic Grill Transition Boxes with Side Connections (On Long Dimension)

Item No.	List Price USD	Description
229500122	\$60.00	VTB84-4S, Grill Transition Box, Plastic, 8" x 4", with 4" Ring Side
VTB84-5S	\$85.00	Grill Transition Box, Plastic, 8" x 4", with 5" Ring Side

Plastic Grill Transition Boxes

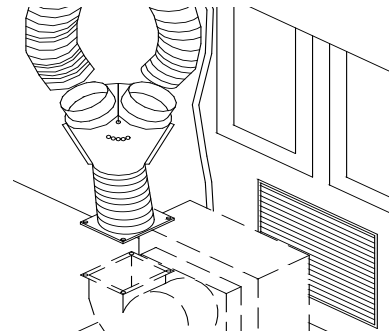
(Boxes are 5-3/16" Deep)

229800014	\$41.00	Transition Box ABS 4X4 NO CUTS/RINGS
229800044	\$50.00	Transition Box ABS 6"X6" NO CUT/RNGS
228700121	\$50.00	Transition Box ABS 6X4 NO CUTS/RINGS
229800027	\$47.00	Transition Box ABS 7X7 NO CUTS/RINGS
229800017	\$50.00	Transition Box ABS 8X4 NO CUTS/RINGS
228700159	\$50.00	Transition Box ABS 8X6 NO CUTS/RINGS
229800018	\$50.00	Transition Box ABS 10X4 NO CUTS/RINGS
229800019	\$50.00	Transition Box ABS 12X4 NO CUTS/RINGS
229800022	\$55.00	Transition Box ABS 10X5X4.5 NO CUTS/RINGS
229800034	\$55.00	Transition Box ABS 10X5X5.75 NO CUTS
228700158	\$65.00	Transition Box ABS 10X6 NO CUTS/RINGS
229800043	\$80.00	Transition Box ABS 10"X8" NO CUT/RNG
229800025	\$65.00	Transition Box ABS 12X6X4.5 NO CUT/RINGS
229800045	\$75.00	Transition Box ABS 12X6X5 NO CUTS/RINGS
229800031	\$70.00	Transition Box ABS 12X6X5.75 NO CUTS/RINGS
229800020	\$65.00	Transition Box ABS 14X4 NO CUTS/RINGS
229800024	\$60.00	Transition Box ABS 14X5 NO CUTS/RINGS
229800026	\$80.00	Transition Box ABS 14X6X4.5 NO CUTS/RINGS
229800033	\$85.00	Transition Box ABS 14X7X5.5 NO CUTS/RINGS
229800050	\$85.00	Transition Box ABS 16"X8" NO CUT/RNG
229800021	\$70.00	Transition Box ABS 16X4 NO CUTS/RINGS
228700118	\$60.00	Transition Box ABS 10X4-5"RINGSIDE
229800015	\$50.00	Transition Box ABS 4X4 E3



Plastic Duct TEEs, Adjustable Baffle

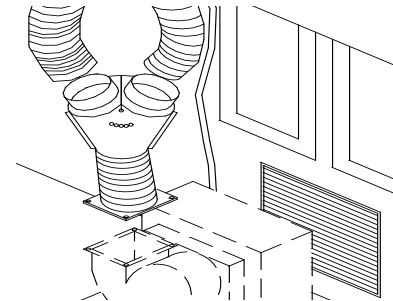
228700100	\$115.00	Transition ABS "T" DUCT 4/4/3
228700085	\$115.00	Transition ABS "T" DUCT 4/4/4
228700093	\$115.00	Transition ABS "T" DUCT 5/4/3
228700053	\$115.00	Transition ABS "T" DUCT 5/4/4
228700104	\$115.00	Transition ABS "T" DUCT 5/5/3
228700062	\$115.00	Transition ABS "T" DUCT 5/5/4
228700067	\$115.00	Transition ABS "T" DUCT 5/5/5
228700142	\$115.00	Transition ABS "T" DUCT 6/4/4
228700108	\$115.00	Transition ABS "T" DUCT 6/5/4
228700092	\$115.00	Transition ABS "T" DUCT 6/5/5
228700088	\$115.00	Transition ABS "T" DUCT 6/6/3
228700114	\$115.00	Transition ABS "T" DUCT 6/6/4
228700120	\$115.00	Transition ABS "T" DUCT 6/6/5
228700119	\$115.00	Transition ABS "T" DUCT 6/6/6
228700106	\$115.00	Transition ABS "T" DUCT 7/5/5
228700167	\$115.00	Transition ABS "T" DUCT 7/6/3
228700103	\$115.00	Transition ABS "T" DUCT 7/6/4
228700115	\$115.00	Transition ABS "T" DUCT 7/6/5
228700081	\$115.00	Transition ABS "T" DUCT 7/6/6
228700150	\$115.00	Transition ABS "T" DUCT 8/7/7



ACCESSORIES

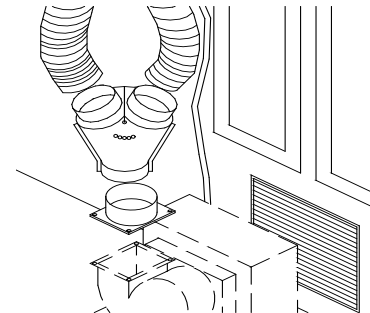
Plastic Duct Ys, Adjustable Baffle

Item No.	List Price USD	Description	Inlet/Outlet/Outlet
228700075	\$115.00	Transition ABS "Y" DUCT 3/3/3	
228700105	\$115.00	Transition ABS "Y" DUCT 4/3/3	
228700078	\$115.00	Transition ABS "Y" DUCT 4/4/2	
228700064	\$115.00	Transition ABS "Y" DUCT 4/4/3	
228700065	\$115.00	Transition ABS "Y" DUCT 4/4/4	
228700134	\$115.00	Transition ABS "Y" DUCT 5/4/2	
228700057	\$115.00	Transition ABS "Y" DUCT 5/4/3	
228700082	\$115.00	Transition ABS "Y" DUCT 5/4/4	
228700069	\$115.00	Transition ABS "Y" DUCT 5/5/3	
228700110	\$115.00	Transition ABS "Y" DUCT 5/5/4	
717050015	\$115.00	Transition ABS "Y" DUCT 5/5/5	
228700073	\$115.00	Transition ABS "Y" DUCT 6/4/4	
228700117	\$115.00	Transition ABS "Y" DUCT 6/5/3	
228700059	\$115.00	Transition ABS "Y" DUCT 6/5/4	
228700074	\$115.00	Transition ABS "Y" DUCT 6/5/5	
228700113	\$115.00	Transition ABS "Y" DUCT 6/6/4	
228700068	\$115.00	Transition ABS "Y" DUCT 6/6/5	
228700101	\$115.00	Transition ABS "Y" DUCT 7/5/4	
228700090	\$115.00	Transition ABS "Y" DUCT 7/5/5	
228700102	\$115.00	Transition ABS "Y" DUCT 7/6/4	
VHY765	\$115.00	Transition ABS "Y" DUCT 7/6/5	
228700112	\$115.00	Transition ABS "Y" DUCT 7/6/6	
717050021	\$115.00	Transition ABS "Y" DUCT 7/7/3	
VHY774	\$115.00	Transition ABS "Y" DUCT 7/7/4	
228700054	\$115.00	Transition ABS "Y" DUCT 8/6/6	
228700168	\$115.00	Transition ABS "Y" DUCT 8/8/8	



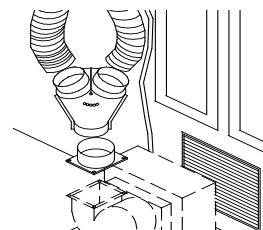
Plastic Blower Ts, Adjustable Baffle (Mounts over existing Hose adapter)

228700060	\$115.00	Transition ABS "T" Blower 4/4/4	
228700076	\$115.00	Transition ABS "T" Blower 5/4/3	
228700153	\$115.00	Transition ABS "T" Blower 5/4/4	
228700148	\$115.00	Transition ABS "T" Blower 5/5/3	
228700154	\$115.00	Transition ABS "T" Blower 6/4/4	
228700140	\$115.00	Transition ABS "T" Blower 6/5/3	
228700145	\$115.00	Transition ABS "T" Blower 6/5/4	
228700083	\$115.00	Transition ABS "T" Blower 6/5/5	
228700139	\$115.00	Transition ABS "T" Blower 6/6/3	
228700160	\$115.00	Transition ABS "T" Blower 6/6/6	
228700066	\$115.00	Transition ABS "T" Blower 7/5/4	
228700111	\$115.00	Transition ABS "T" Blower 7/5/5	
228700058	\$115.00	Transition ABS "T" Blower 7/6/4	
228700091	\$115.00	Transition ABS "T" Blower 7/6/5	
228700094	\$115.00	Transition ABS "T" Blower 7/6/6	
228700157	\$115.00	Transition ABS "T" Blower 7/7/4	



Plastic Blower Ys, Adjustable Baffle

228700072	\$115.00	Transition ABS "Y" Blower 4/4/2	
228700087	\$115.00	Transition ABS "Y" Blower 4/4/3	
228700086	\$115.00	Transition ABS "Y" Blower 4/4/4	
228700084	\$115.00	Transition ABS "Y" Blower 5/4/4	
228700055	\$115.00	Transition ABS "Y" Blower 5/5/3	
228700063	\$115.00	Transition ABS "Y" Blower 5/5/4	
228700079	\$115.00	Transition ABS "Y" Blower 6/4/4	
228700156	\$115.00	Transition ABS "Y" Blower 6/5/4	
228700109	\$115.00	Transition ABS "Y" Blower 6/5/5	
228700126	\$115.00	Transition ABS "Y" Blower 6/6/4	
228700155	\$115.00	Transition ABS "Y" Blower 7/5/5	
228700096	\$115.00	Transition ABS "Y" Blower 8/6/6	



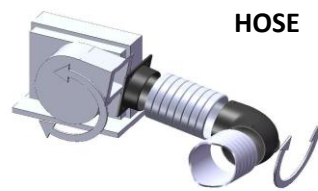
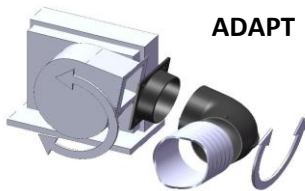
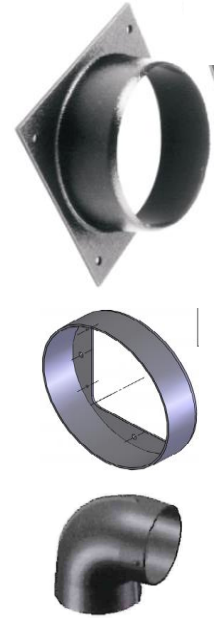
ACCESSORIES

Aluminum Mount Rings

Item No.	List Price USD	Description	Inlet/Outlet/Outlet
228700509	\$65.00	Ring ALM 6" Round EBO16	
228701040	\$90.00	Ring ALM Duct 6" HC-6	
228701041	\$90.00	Ring ALM Duct 7" HC-7	
228700162	\$100.00	Ring ALM Duct 9" HC-9	
228701007	\$135.00	Ring ALM 9" Round EBOH24	
228701038	\$135.00	Ring ALM Duct 9"MR w/Flange 24K HV Blower (2054310) REU24	
228700171	\$125.00	Ring ALM Duct 10"MR w/Flange EBE30	
228700180	\$100.00	Ring ALM Duct 10"MR w/Base EBO30/36	
228700147	\$105.00	Ring ALM 10"OB w/Rectangular Base	

Plastic Blower Mount Rings

Item No.	List Price USD	Description
HA-4	\$18.00	Ring Plastic 4" Duct EBO4/5
228701001	\$27.00	Mount Ring ABS DCT 4"MR CL5HV/VC5K
291617126	\$47.00	Mount Ring ABS DCT ASY 6"MR 16K
335884	\$18.00	Blower Mount Ring 5", 4/6K
228700138	\$100.00	Ring ABS Trans 5" with TV6 Base
291290011	\$28.00	Mount Ring ABS DCT 5" AH6DT2
228701005	\$28.00	Mount Ring ABS DCT 5"MR VC/VR/H6/7
291600289	\$28.00	Mount Ring ABS DCT 5"MR VC5K CUT DWN
291072002	\$28.00	Mount Ring ABS DCT 5"MR VC6/7
335883	\$20.00	Blower Mount Ring 6", 6/8K
335882	\$23.00	Blower Mount Ring 7", 16/18K
228701031	\$34.00	Mount Ring ABS DCT 7"MR VR/VC16KHV
228701030	\$33.00	Mount Ring ABS DCT 7"MR 24K 6.5X5
228701033	\$100.00	Mount Ring ABS DCT 8"MR VC18HV/AH16D
291150130	\$105.00	Mount Ring ABS DCT 8"MR 16HV w/Base
228701027	\$120.00	Mount Ring ABS DCT 8"MR 24K w/Base
228701034	\$42.00	Mount Ring ABS Trans 8"MR DCU27
336026	\$85.00	Mount Ring ADAPT "L" 3" 90 Degree
336025	\$85.00	Mount Ring ADAPT "L" 4" 90 Degree
228700172	\$85.00	Trans ABS ELBOW 5" 90 Degree Hose
228700173	\$85.00	Trans ABS ELBOW 6" 90 Degree Hose
228700170	\$85.00	Trans ABS ELBOW 8" 90 Degree Blower



ACCESSORIES

Plastic/Aluminum Transition Rings/Hose Adapters

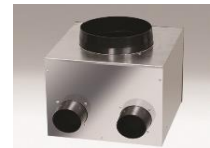
Item No.	List Price USD	Description	Inlet/Outlet/Outlet
228700008	\$19.00	Transition Ring, ABS 1.5"	
228700009	\$18.00	Transition Ring, ABS 2"	
228700010	\$18.00	Transition Ring, ABS 3"	
228700014	\$24.00	Transition Ring, ABS 3" OBLONG	
228700011	\$18.00	Transition Ring, ABS 4" 6K	
228700015	\$20.00	Transition Ring, ABS 4" OBLONG	
228700127	\$22.00	Transition Ring, ABS 4" w/Push Rivets 6K	
228700004	\$34.00	Transition Ring, ABS 4" MNTD TO 5" TRNS	
228700012	\$18.00	Transition Ring, ABS 5"	
228700016	\$20.00	Transition Ring, ABS 5" OBLONG	
228700128	\$22.00	Transition Ring, ABS 5" W/PUSH RIVET 8K	
228700132	\$55.00	Transition Ring, ABS 5" OB W/PUSH RVTS	
228700013	\$18.00	Transition Ring, ABS 6"	
228700017	\$24.00	Transition Ring, ABS 6" OBLONG	
228700129	\$22.00	Transition Ring, ABS 6" W/PUSH RIVET 10-12K	
228700018	\$18.00	Transition Ring, ABS 7"	
228700019	\$26.00	Transition Ring, ABS 7" OBLONG	
228700130	\$24.00	Transition Ring, ABS 7" W/PUSH RIVET 14-16K	
228700161	\$115.00	Transition Ring, ABS 7" RND EBS/EDS W/ALM	
334621	\$42.00	Transition Ring, ABS 8" OUTSIDE FLNG	
228700137	\$49.00	Transition Ring, ABS 8" W/PUSH RIVET	



T-Boxes (A. K. A. T-Box Blower Plenums)

First number in model is the unit size (10/12 = 10&12K), second set of numbers are duct size connections.
 All transition boxes are ABS plastic. Note: The 7T is 7" high and the 10/12T & 16T are both 8" high.

Item No.	List Price USD	Description
231100515	\$130.00	7T-BX VC7/E6 Universal
231100170	\$130.00	7T-BX 5/4 VC7/E6
231100510	\$130.00	10/12T-BX VC10/12 Universal
231100150	\$130.00	10/12T-BX 5/4 VC10/12
231100140	\$130.00	10/12T-BX 5/5 VC10/12
231100138	\$130.00	10/12T-BX 6/4 VC10/12
231100500	\$135.00	16T-BX VC16 Universal
231100130	\$155.00	16T-BX 6/4 VC16
229500169	\$95.00	16T-BX 6/6 Aluminum Only



* Also available: Custom Alum Box, 50-150 square inch.

* See the Custom Plenum Request m at the back of this section. All prices include two rings.

* If interested in these items, please contact your Marine Air Sales Representative.

ACCESSORIES

CUSTOM PLENUM REQUEST DOMETIC

Date:	Requester:	Customer Order No.:	<input type="checkbox"/> Quote Only
Customer:		NPR#	
Date NPR Information Needed:		Time NPR Information Needed:	
1 st Ship Date:	Quantity:	Forecast: Per Month	Per Year
NPR Level: A	Target List: \$	Replacing / Obsoleteing:	

PRODUCT DEFINITION:

SKU:

Item Number:	Lead Time:	days	Prod Code:	Estimated Prime:	\$		
List Prices:	21) \$	22) \$	23) \$	24) \$	25) \$	26) \$	27) \$

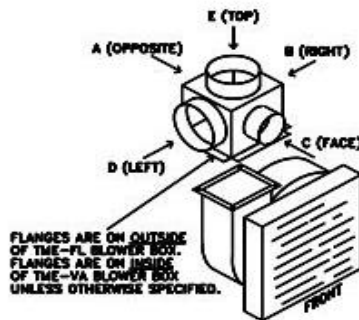
Description:
Extra Description:

Revision A: _____ Date: _____
Revision B: _____ Date: _____
Revision C: _____ Date: _____

Specify blower size for blower plenums or dimensions for grille plenums, and ring sizes for each side of box.

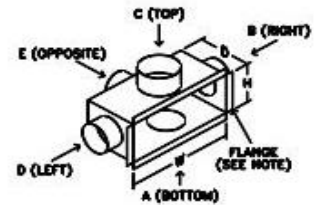
BLOWER PLENUM

- BLOWER SIZE _____
 E-TOP _____
 D-LEFT _____
 B-RIGHT _____
 C-FACE _____
 A-OPPOSITE _____
 Check if blower is to be rotated.
 Check if HV blower.



GRILLE PLENUM

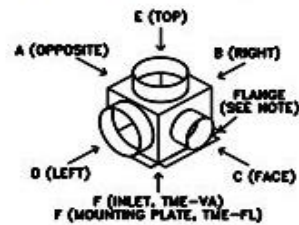
- WIDTH _____
 HEIGHT _____
 DEPTH _____
 C-TOP _____
 A-BOTTOM _____
 E-OPPOSITE _____
 D-LEFT _____
 B-RIGHT _____



- FLANGE - See notes below.
 To Accommodate Alum Grille - VH VML
 To Accommodate Wood Grille - VH VML

BOX PLENUM

- F- INLET/PLATE _____
 E-TOP _____
 D-LEFT _____
 B-RIGHT _____
 C-FACE _____
 A-OPPOSITE _____



SKETCH PLENUM HERE (SEE NOTES)

NOTES:

- 1) SHOW DIVERTER PLACEMENT AND DIVISION OF AIR FLOW, RING SIZE AND LOCATION, AND ANY OTHER UNIQUE CHARACTERISTICS.
- 2) STANDARD BOX DEPTH IS 4.50" FOR VACUUM FORMED PLASTIC (TME-FL ONLY). OTHERWISE, BOX DEPTH IS 1/4" DEEPER THAN RING SIZE ON SIDE OF PLENUM.
- 3) FLANGES ARE STANDARD ON TME-FL PLENUMS, BUT OPTIONAL ON TME-VA'S. SPECIFY TME-VA FLANGES BY CIRCLING CHOICE BELOW:
WIDTH - HEIGHT - BOTH

FLANGE (SEE NOTE)

HEIGHT

FLANGE (SEE NOTE)

DEPTH

THIS VIEW IS LOOKING AT SIDE, FROM OUTSIDE OF BOX (CIRCLE ONE)

A B C D

FLANGE (SEE NOTE)

DEPTH

THIS VIEW IS LOOKING AT SIDE, FROM OUTSIDE OF BOX (CIRCLE ONE)

A B C D

FO-730-007 Revision: H

1 of 2

Installation Components

Tube Insulation		
Item No.	List Price USD	Description
290000008	\$13.00	Insulation Tube, 3/8" ID x 3/8" Wall, 6 Ft. Length
290336120	\$32.00	Insulation Tube, 3/4" ID x 1/2" Wall, 6 Ft. Length
336730	\$95.00	Prestite Cork Tape Ins, 2" x 30 Ft. Roll
298001319	\$265.00	Insulation Mastic Coating, 1 Gallon with MSDS Sheet
Condensate Drain Fittings, Plastic		
298001152	\$29.00	DF2, Drain Fitting, Straight, 3/8" MPT x 1/2" Hose (10 Pack)
1052608	\$2.18	Drain Fitting, Straight, 3/8" MPT x 1/2" Hose
1051410	\$2.18	Drain Fitting, Straight, 3/8" MPT x 5/8" Hose
1059510	\$2.14	Drain Fitting, Straight, 1/2" MPT x 5/8" Hose
1052708	\$3.27	Drain Fitting, 90°, 3/8" MPT x 1/2" Hose
1052410	\$3.27	Drain Fitting, 90°, 3/8" MPT x 5/8" Hose
1059610	\$5.36	Drain Fitting, 90°, 1/2" MPT x 5/8" Hose
1059708	\$7.65	Drain Plug, 1/2" MPT
Refrigerant Fittings		
3120204	\$4.37	Flare Nut, 1/4"
3120106	\$6.56	Flare Nut, 3/8"
3121408	\$6.56	Flare Nut, 1/2"
3120512	\$28.00	Flare Nut, 3/4"
3120606	\$6.56	Flare Nut Reducing, 3/8" Flare to 1/4" Tube
3120308	\$6.56	Flare Nut Reducing, 1/2" Flare to 3/8" Tube
3120904	\$7.65	Flare Tee, 1/4" x 1/4" x 1/4"
3121006	\$22.00	Flare Tee, 3/8" x 3/8" x 3/8"
3121808	\$26.00	Flare Tee, 1/2" x 1/2" x 1/2"
3130104	\$35.00	Flare Tee Reducing, 3/8" x 1/4" x 1/4"
3131006	\$23.00	Flare Tee Reducing, 1/2" x 3/8" x 3/8"
3120400	\$45.00	Flare Tee Reducing, 3/4" x 1/2" x 1/2"

REFRIGERATION

KRA Refrigeration Units

KRA 400 Series Titanium Condensing Units - R404A

Item No.	List Price (USD)	Description
754000430	\$2,985.00	KRA433X 1161 Single No Electric Box Water Cool Only
754000450	\$2,985.00	KRA433X 2251 Single No Electric Box Water Cool Only
754000439	\$3,625.00	KRA433X 1161 Single No Electric Box
754000440	\$3,625.00	KRA433X 2361 Single No Electric Box
754000448	\$3,625.00	KRA433X 2251 Single No Electric Box
754000435	\$4,125.00	KRA433X 1161 Mult2 With Electric Box
754000441	\$4,125.00	KRA433X 2361 Mult2 With Electric Box
754000443	\$4,125.00	KRA433X 2251 Mult2 With Electric Box
754000444	\$4,595.00	KRA450X 1161 Single No Electric Box
754000465	\$4,595.00	KRA450X 2361 Single No Electric Box
754000461	\$5,095.00	KRA450X 1161 Mult3 With electric Box
754000462	\$5,095.00	KRA450X 2361 Mult3 With electric Box
754000446	\$5,095.00	KRA450X 2251 Mult3 With electric Box



Note: Single Box uses line duty; Dual Box uses 12V controls

Condensing Units - R134A

754000100	\$3,050.00	KRA025 Air/Water, 1/4 HP, 115V, 60Hz
754000104	\$3,150.00	KRA038 Air/Water, 3/8 HP, 115V, 60Hz
754000106	\$3,300.00	KRA038CK Air/Water, 3/8 HP, 220V, 50Hz
754000105	\$3,425.00	KRA038/M-135 Air/Water 3/8HP 115V ETC T-Stat
754000108	\$4,000.00	KRA050 Air/Water, 1/2 HP, 115V, 60Hz



Note: KRA038CK units replaces KRA025CK units

Water-Cooled Only Condensing Units - R134A

754000110	\$2,475.00	KRA025 Condenser 1/4 HP, Water Cool Only, 115V, 60Hz
754000111	\$2,725.00	KRA038 Condenser 3/8HP Water Cool Only, 115V, 60Hz
754000116	Call for Pricing	KRA038CK Condenser 3/8HP Water Cool Only, 220V, 50Hz

Note: KRA038CK units replaces KRA025CK units

Evaporator Tubes-R134A (Pre-charged 3/8" copper tubing w/ QC's to wrap box)

221200518	\$495.00	ETA3C50, Evaporator Tube 50'
221200519	\$600.00	ETA3C65, Evaporator Tube 65'
221200517	\$810.00	ETA3C100, Evaporator Tube 100'
221200521	\$1,135.00	ETA3C150, Evaporator Tube 150'

KRA Control Kits

115/230V Kit Control used on Single Box KRA units

754000424	\$280.00	Thermostat 115/230v with sensor (R134A units)
754000434	\$280.00	Thermostat 115/230v with sensor: HP/LP inputs enabled (R404A units)
754000449	\$305.00	Thermostat 115/230v with 40' sensor: HP/LP inputs enabled (R404A units)
754000423	\$350.00	Thermostat 115/230v with communication & sensor (R134A units)
754000433	\$350.00	Thermostat 115/230v with communication & sensor: HP/LP inputs enabled (134A Units)
754000468	\$245.00	Thermostat 115/230v no sensor: HP/LP inputs enabled (R404A units)

12/24V Kit Control used on Dual Box KRA units

754000428	\$280.00	Thermostat 12/24v with sensor (R134A units)
754000438	\$280.00	Thermostat 12/24v with sensor: HP/LP inputs enabled (R404A units)
754000427	\$350.00	Thermostat 12/24v with communication & sensor (R134A units)
754000437	\$350.00	Thermostat 12/24v with communication & sensor: HP/LP inputs enabled R404A units)

Liquid Lines - R134A

221200553	\$360.00	LLPA48, Liquid Line w/ CPV, 48" Copper
221200629	\$410.00	LLPA72, Liquid Line w/ CPV, 72" Copper
221200559	\$485.00	LLPA216, Liquid Line w/ CPV, 216" Copper
221200540	\$530.00	LLPA300, Liquid Line w/ CPV, 300" Copper

REFRIGERATION

KRA Refrigeration Units

Suction Lines - R134A		
Item No.	List Price (USD)	Description
221200589	\$185.00	SLA24, Suction Line, Insulated, 24", Copper
221200543	\$200.00	SLA48, Suction Line, Insulated, 48", Copper
221200571	\$205.00	SLA60, Suction Line, Insulated, 60", Copper
221200513	\$220.00	SLA72, Suction Line, Insulated, 72", Copper
221200516	\$235.00	SLA96, Suction Line, Insulated, 96", Copper
221200636	\$225.00	SLA120, Suction Line, Insulated, 120", Copper
221200539	\$265.00	SLA144, Suction Line, Insulated, 144", Copper
221200560	\$315.00	SLA168, Suction Line, Insulated, 168", Copper
221200582	\$315.00	SLA180, Suction Line, Insulated, 180", Copper
221200541	\$315.00	SLA216, Suction Line, Insulated, 216", Copper
221200583	\$325.00	SLA240, Suction Line, Insulated, 240", Copper
221200544	\$360.00	SLA300, Suction Line, Insulated, 300", Copper
KRA Accessories		
3123930	\$60.00	1/4" Female Quick-Connect (#5505-04B-06)
3123940	\$60.00	1/4" Male Quick-Connect (#5502-04B-06)
3123910	\$60.00	3/8" Female Quick-Connect (#5505-06B-06)
3123920	\$60.00	3/8" Male Quick-Connect (#5502-06B-06)
753000128	\$17.00	A-137, White Thermistor Cover with Screws and Label
758002006	\$340.00	Condensing Unit Relay 115V, 2 Triggers
3123800	\$105.00	Constant Pressure Valve, pre-set @3PSI
221200545	\$210.00	CPV, Constant Pressure Valve with QC & Flare Connections
4062302	\$170.00	ETC Electronic T-Stat, 120/230V, 1-Stage
4062303	\$335.00	ETC Electronic T-Stat, 120/230V, 2-Stage
238100034	\$535.00	LLYA, Liquid Line Splitting Assy, w/ 115V Solenoid Valves
336863	\$34.00	NTC Bulb Temp Sensor 10ft
337423	\$42.00	NTC Bulb Temp Sensor 20ft
337453	\$65.00	NTC Bulb Temp Sensor 40ft
259000041	\$180.00	PJA28x12-S, Plate Jumper, SS, 28" Wide, 12" Legs
238100035	\$255.00	SLYA, Suction Line Splitting Assy
754000115	\$265.00	TXV assembly, 1/2HP, R134A only KRA050
754000114	\$245.00	TXV assembly, 1/4HP, R134A only KRA025
754000113	\$285.00	TXV assembly, 3/8HP, R134Aonly KRA038
754000456	\$425.00	TXV assembly, KRA4XX - No Fittings
754000454	\$590.00	TXV assembly, KRA4XX 3/8"xQDx3/8" - 1/4"MFL SHORT
Note: Order 753000128 (A-137) thermistor cover on above T-Stats.		
Replacement Parts		
722400012	\$46.00	A-556, MOV Surge Suppressor (Blue)
3023102	\$405.00	Coil Condenser Air KR 1/4 & 3/8
298001127	\$325.00	Coil Condenser Water KRA 1/4 & 3/8
3011017	\$970.00	Compressor, Refrig, 1/2HP, Tecumseh, 115V 60Hz
336824	\$600.00	Compressor, Refrig, 1/4HP, Tecumseh, 115V 60Hz
338132	\$600.00	Compressor, Refrig, 1/4HP, Tecumseh, 220V 50Hz
336825	\$550.00	Compressor, Refrig, 3/8HP, Tecumseh, 115V 60Hz
2054217	\$300.00	Fan Axial KRO25, 038 050, 425, 450 230V 50/60Hz
2054216	\$290.00	Fan Axial KRO25, 038, 425, 450 115VAC
3086800	\$47.00	Glass Sight Moisture Indicator, Sweat
5082410	\$6.43	Nut, Well, Threaded Rubber Insert 1/4"x20
044900	\$28.00	Overload for 1/4HP & 3/8HP KRA Comps, AEA2410, 2413
3150404	\$175.00	Receiver/filter, 3/8" OD Solder, 8" Tall (KRA Units)

REFRIGERATION

KRA Refrigeration Units

Replacement Parts		
Item No.	List Price (USD)	Description
4040295	\$39.00	Start Cap for 1/2HP KRA Compressor, AJA2419
336669	\$105.00	Start Cap for 1/4HP & 3/8HP KRA Comps, AEA2410, 2413
4129010	\$60.00	Start Relay for 1/4HP & 3/8HP KRA Comps, AEA2410, 2413
3123752	\$150.00	TXV 1/2HP KRA050
3123751	\$150.00	TXV 1/4HP KRA025
3123750	\$150.00	TXV 3/8HP KRA038

REFRIGERATION

Adler Barbour DIY Refrigeration

Condensing Units

Item No.	List Price (USD)	Description
755400000	\$1,280.00	CU-100, ColdMachine™, Self-Seal QC, Air Cooled, 12VDC
755410000	\$1,425.00	CU-200, SuperColdMachine™, Self-Seal QC, Water and Air Cooled, 12VDC
755401001	\$1,120.00	50 Series Condensing Unit, Horizontal, Long Layout, 12/24VDC, Air Cooled only
CU-55-W01-B	\$1,120.00	50 Series Condensing Unit, Square Layout, 12/24VDC, Air Cooled only
CU-84-W01-B	\$1,185.00	80 Series Condensing Unit, Horizontal Layout, 12/24VDC, Air Cooled only
9105304110	\$1,185.00	80 Series Condensing Unit, Square Layout, 12/24VDC, Air Cooled only
CU-86-W01-B	\$1,185.00	80 Series Condensing Unit, Vertical or Wall Mount Layout, 12/24VDC, Air Cooled only



CU-100



CU-200

Evaporators

ColdMachine™ and SuperColdMachine™ (to be used with the CU-100 & CU-200 ONLY)

755500000	\$650.00	VD-150, Small Vertical Evaporator, Without Door, Self-Seal QC
755510000	\$650.00	VD-151, Small Horizontal Evaporator, With Door, Self-Seal QC
755520000	\$755.00	VD-152, Large Vertical Evaporator, Without Door, Self-Seal QC
755530000	\$755.00	VD-153, Large Horizontal Evaporator, With Door, Self-Seal QC
755560000	\$1,940.00	VD-160, Power Plate Evaporator, With Analog Thermostat, Self-Seal QC



50 Series (to be used with the 50 Series ONLY)

VD-01	\$260.00	L-Shaped Evap, Horizontal and Vertical Installation
755400101	\$255.00	Plate Evap, Horizontal and Vertical Installation
755400106	\$265.00	Standard O-Shaped Evap, Horizontal and Vertical Installation

80 Series (to be used with the 80 Series ONLY)

755400107	\$225.00	High-Performance forced Air Evap. **
VD-08-W01-B	\$410.00	L Shaped Evap, Refrigerator or Freezer up to 2.5 cu.ft.
755400100	\$365.00	Large-Sized Evap, Horizontal and Vertical Installation
755400103	\$275.00	Plate Evap, Horizontal and Vertical Installation, 3.9"D x 14.8"W x 10"H
755400105	\$275.00	Plate Evap, Horizontal and Vertical Installation, 1"D x 14.8"W x 13.7" H
VD-18	\$270.00	Plate Evap, Rear Wall Installation

Notes:

1. The VD-15 is suited large cooling volumes and high ambient temperatures.
2. Comes with white plastic housing with brushless fan.

REFRIGERATION

Adler Barbour DIY Refrigeration

Kits		
Item No.	List Price (USD)	Description
C8075	\$205.00	Booster Blow Duct Kit CU-100
C8071	\$335.00	Booster Blow Duct Kit CU-200
C8350	\$775.00	Cool Water Kit with 12V Pump CU-200
CS-NC-15	\$1,105.00	Compact Compressor Cooling Kit
C8079	\$205.00	Vent Duct Kit CU-100
C8070	\$205.00	Vent Duct Kit CU-200
Accessories		
755570000	\$220.00	Adapter - One Shot new QCs*
3011005	\$600.00	Compressor 12/24 Danfoss BD50F
4030592	\$80.00	Cond, Z3281 Fan 12VDC (CU-100 and CU-200)
758000005	\$865.00	Control AB3017, Electronic Module, 4 Pin, 12V
3123930	\$60.00	Coupling, QC, 1/4" Female, Size 4
3123920	\$60.00	Coupling, QC, 3/8" Male, Size 4
336567	\$39.00	Fan, Mini Z5020 12VDC, Spillover 1" Deep
298001526	\$310.00	Module 101N0213 Standard
4030003	\$500.00	Module 101N0230 Hard Start
339624	\$305.00	Module 101N0340 RFI
E1134	\$115.00	Mounting Bracket CU-100 and CU-200
F1884	\$515.00	PCB Stuffed and Danfoss Module
4030011	\$155.00	PCB Stuffed F1886 (CU-100 and CU-200)
C7210	\$380.00	Spill-Over Fan Kit, Analog Control
F1701	\$90.00	Tray Verticube Ice Cube w/ Polygrid Inserts
8141430	\$8.83	Tray Z3301 Ice Cube - Horizontal
8141431	\$6.69	Tray Z3302 Polygrid Verticube
C1502JR1500	\$170.00	T-Stat Asm Analog, with 1500 Ohm Resistor (All VD's Freezer)
4060202	\$32.00	T-Stat D8072 Spill-Over, Yellow Dot
Z4071F	\$425.00	T-Stat Digital Freezer
Z4071R	\$425.00	T-Stat Digital Refrigerator
Z4071FJR1500	\$460.00	T-Stat Digital VD-160 & 0^ plate
4060203	\$32.00	T-Stat E1391 Powerplate/Freezer, White Dot
F1710JR680	\$150.00	T-Stat Large Evap Analog, w/680 Ohm Resistor (VD-152 and VD-153)
F1710JR270	\$160.00	T-Stat Small Evap Asm Analog, with 270 Ohm Resistor (VD-150 and VD-151)
4060204	\$38.00	T-Stat Z3202 Refrigerator, Blue Dot
*Note: If buying a new evaporator with new QCs to use with an older condensing unit, you must purchase One-Shot Adapter		

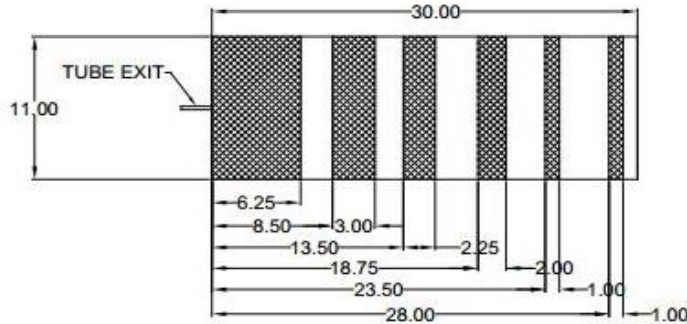
REFRIGERATION

Adler Barbour DIY Refrigeration

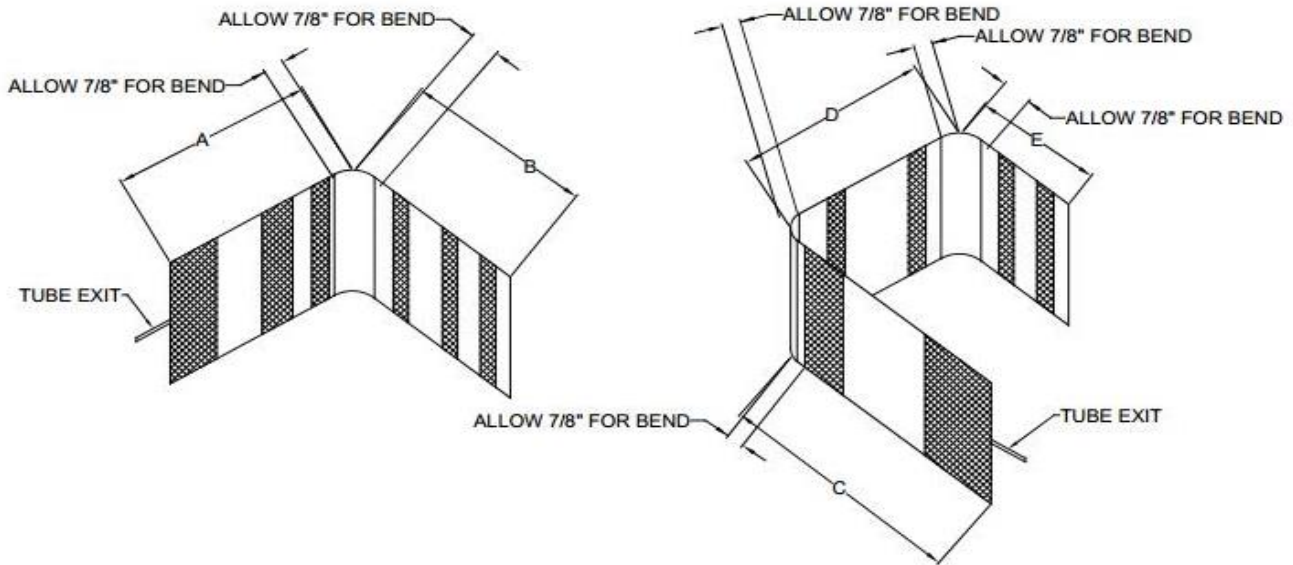
PROPRIETARY NOTE: THE INFORMATION CONTAINED WITHIN THIS DOCUMENT IS THE PROPERTY OF DOMETIC CORPORATION. ANY ATTEMPT TO COPY OR DISTRIBUTE WITHOUT WRITTEN CONSENT FROM DOMETIC CORPORATION SHALL BE CONSIDERED UNLAWFUL AND CAN BE CONTESTED IN A COURT OF LAW.

REV	DATE	REVISION DESCRIPTION	DWG	APR
A	9/16/11	REV BASE EVAP P/N, ADDED LINE LENGTH SPEC, CAD928-11	DRR	DA
B	11/1/11	REVISED LINE LENGTH FROM IN TO FT, CAD1053-11	DRR	DA
C	4/9/12	REVISED A+B & C+D+E DIMS, CAD208-12	DRR	BJL
D	1/22/14	REPLACED DWG 8101308 WITH THIS DWG, CAD045-14	DRR	BJL

BASE EVAP: 8101308
30 LONG X 11 HIGH



▨ HATCH AREAS = "NO BEND ZONES"



TYPICAL "L" SHAPED EVAP

A _____ +/- 3/8"

B _____ +/- 5/8"

A + B = 30.38"

LINE LENGTH FROM PLATE TO QD. (SPECIFY ONE)

7.50 FT

15.0 FT

TYPICAL "U" SHAPED EVAP

C _____ +/- 3/8"

D _____ +/- 3/8"

E _____ +/- 5/8"

C + D + E = 28.75"

TUBE EXIT _____ (TOP/BOTTOM)

ENTER "A" & "B" FOR L OR ENTER "C", "D", & "E" FOR U-SHAPED EVAPORATOR

SPECIFY TOP OR BOTTOM TUBE EXIT AND TUBE LENGTH

IF BENDS NEED TO BE IN A NO BEND ZONE
CONSULT FACTORY FIRST

DOMETIC			
CUSTOM EVAPORATOR WORK SHEET VD-150 PLATE			
DATE: 6/15/11	DWG BY: DRR	PART NUMBER: N/A	DWG G6020026
SCALE: NTS	APR BY: BJL		REV D

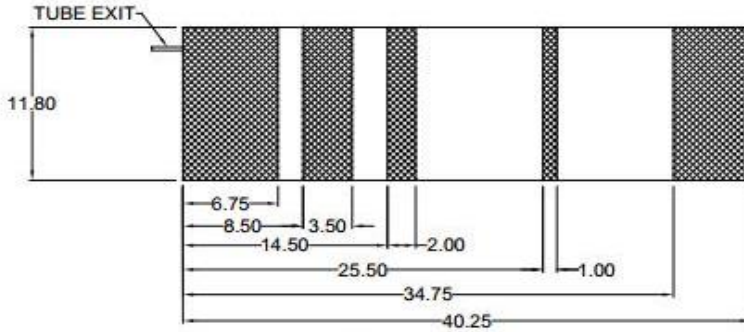
REFRIGERATION

Adler Barbour DIY Refrigeration

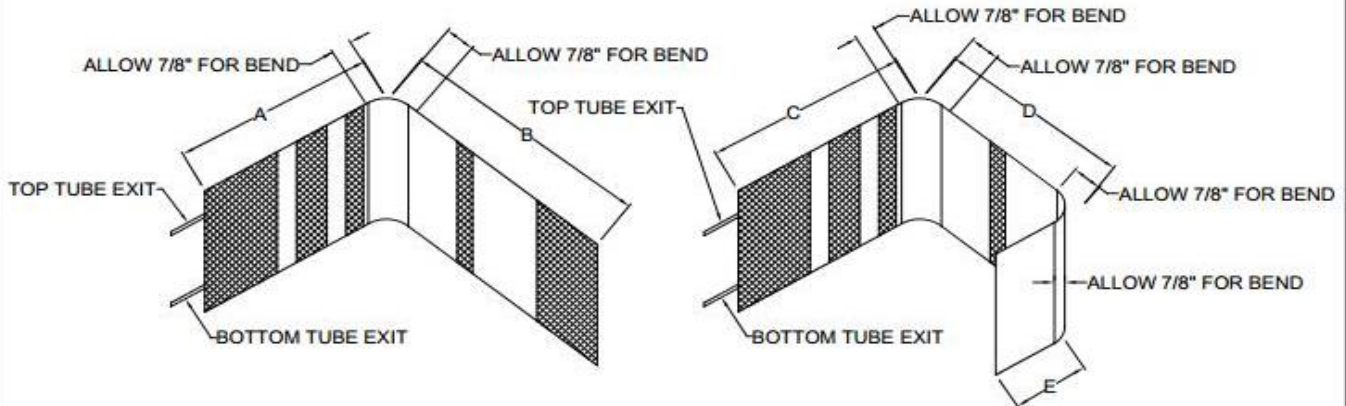
PROPRIETARY NOTE: THE INFORMATION CONTAINED WITHIN THIS DOCUMENT IS THE PROPERTY OF DOMETIC CORPORATION. ANY ATTEMPT TO COPY OR DISTRIBUTE WITHOUT WRITTEN CONSENT FROM DOMETIC CORPORATION SHALL BE CONSIDERED UNLAWFUL AND CAN BE CONTESTED IN A COURT OF LAW.

REV	DATE	REVISION DESCRIPTION	DWG	APR
A	9/16/11	REV BASE EVAP P/N, ADDED LINE LENGTH SPEC, CAD929-11	DRR	DA
B	11/1/11	REVISED LINE LENGTH FROM IN TO FT, CAD1053-11	DRR	DA
C	1/22/14	REPLACED DWG 8101307 WITH THIS DWG, CAD044-14	DRR	BJL

BASE EVAP: 8101307
40.25 LONG X 11.80 HIGH



HATCH AREAS = "NO BEND ZONES"



TYPICAL "L" SHAPED EVAP

A _____ +/- 3/8"

B _____ +/- 5/8"

A + B = 40.62"

LINE LENGTH FROM PLATE TO QD. (SPECIFY ONE)

7.50 FT

15.0 FT

TYPICAL "U" SHAPED EVAP

C _____ +/- 3/8"

D _____ +/- 3/8"

E _____ +/- 5/8"

C + D + E = 41"

TUBE EXIT _____ (TOP/BOTTOM)

ENTER "A" & "B" FOR L OR ENTER "C", "D", & "E" FOR U-SHAPED EVAPORATOR

SPECIFY TOP OR BOTTOM TUBE EXIT AND TUBE LENGTH

IF BENDS NEED TO BE IN A NO BEND ZONE
CONSULT FACTORY FIRST

DOMETIC			
CUSTOM EVAPORATOR WORK SHEET VD-152 PLATE			
DATE: 6/15/11	DWG BY: DRR	PART NUMBER:	DWG
SCALE: NTS	APR BY: BJL	N/A	G6020027
			REV C

REFRIGERATION

Eskimo Ice Makers, Accessories and Replacement Parts

Eskimo Ice Titanium Units with Digital Controls

Item	List Price (USD)	Description
252000070	\$22,500.00	EI1000X-230V Digital Control
252000071	\$22,850.00	EI1000X-220V Digital Control
252000060	\$13,725.00	EI540X-115V Digital Control
252000061	\$14,240.00	EI540X-230V Digital Control
252000062	\$14,225.00	EI540X-220V Digital Control
252000620	\$450.00	EI 35' Hose Kit
252000621	\$250.00	EI 15' Hose Kit
252000571	\$470.00	EI540X-Pump Kit 220V 50-60
252000572	\$410.00	EI540X-Pump Kit 115V/60



EI1000X



EI540X



EI540 & EI1000 Replacement Parts

290000007	\$1,165.00	Auger EI540
4040115	\$18.00	Cap, Run 15MFD/400/440V EI540
330559	\$35.00	Cap, Start 72-88MFD/330V EI540 230V
252000131	\$725.00	Circuit Board EI540D 115V/230V
252000133	\$690.00	Circuit Board EI540D 220V 50Hz
252000147	\$725.00	Circuit Board EI1000D 230/50-60
336056	\$650.00	Compressor EI540 115V
336078	\$650.00	Compressor EI540 230V
4021102	\$7.65	Cover, Rocker Switch Reset Button
252000150	\$180.00	Display, Digital Eskimo Ice2
252000142	\$2,445.00	Gear Box Assy with Motor EI540 115V
252000140	\$2,895.00	Gear Box Assy with Motor EI540 230V
226000055	\$14.00	Hose 0.75" Clear PVC Reinforced
4024300	\$42.00	HPS Switch
4037060	\$730.00	Lower Bearing Assy
332457	\$90.00	LPS Switch
4037059	\$7.00	O-ring Bearing Housing
4037061	\$14.00	O-ring Mounting Base
4037069	\$15.00	Overload EI540 115V AKA9438ZXA
4037072	\$16.00	Overload EI540 230V AKA9438ZXD
4037066	\$215.00	Relay Start EI540 Gear Motor 230V
339883	\$41.00	Relay Start EI1000 230V
290339860	\$75.00	Relay Start UMSR50 EI540 230V
252000119	\$325.00	Replacement Water Reservoir w/digital Float
252000136	\$275.00	Sensor Photo Diffuser EI540/EI1000 w/3POS Terminal Block Relay
4021100	\$6.56	Switch, Rocker Reset Button
4037055	\$550.00	Top Bearing Assy
226000056	\$5.47	Tube, Insulated 1.125ID x 0.75W
4037054	\$120.00	Vee Band Coupling

EI600 Replacement Parts

226000052	\$7.68	1.25" Clear Vinyl Hose - Per Foot
226000053	\$5.47	1.625" White Insulation Hose Per Foot 1/2" wall
4030200	\$2,740.00	Auger Motor - 115V Digital and Mechanical
4030201	\$2,900.00	Auger Motor - 230V Digital and Mechanical
290000010	\$25.00	Auger motor bearing Digital and Mechanical EI600
333360	\$19.00	Auger Motor Run Cap Fits 115 volt and 230 volt
4037001	\$80.00	Bottom Lower Bearing
4040115	\$18.00	Cap, Run EI600 115V
4040025	\$41.00	Cap, Start EI600 115V
4040023	\$70.00	Cap, Start EI600 230V

REFRIGERATION

Eskimo Ice Makers, Accessories and Replacement Parts

EI600 Replacement Parts		
Item No.	List Price (USD)	Description
252000134	\$690.00	Circuit Board EI600D 115V/230V
252000128	\$2,325.00	Compressor EI600D painted, 115V replaces 297600697 (not a direct drop in)
252000126	\$1,625.00	Compressor EI600D painted, 230V
298001414	\$1,010.00	Condenser Coil - Painted, EI600D
752000301	\$1,250.00	Control Box EIR600D 115/230 Complete
4037012	\$175.00	Coupling, EI600 Digital and Mechanical
3150310	\$240.00	Filter Cartridge Cold Water (2 per pack)
252000200	\$100.00	Ice Thru Hull - Straight
4043102	\$49.00	Overload, EI600 230V
752000010	\$290.00	Photo Electric Eye Digital
225500226	\$430.00	Pump Assy PML250 115V No Fittings
225500227	\$440.00	Pump Assy PML250C 230V No Fittings
4040024	\$42.00	Relay, Start EI600 115V
4040019	\$85.00	Relay, Start EI600 230V
252000118	\$2,010.00	Retrofit Kit to Upgrade to Digital
4062305	\$90.00	Sensor Temp Control (ETC) 10'
4037003	\$40.00	Spout Gasket
4050004	\$21.00	Spout Switch
4020003	\$195.00	Spout Switch Button 15A 12/250V
4024302	\$30.00	Switch EI600 High Pressure
4024212	\$47.00	Switch EI600 Low Pressure
4020010	\$46.00	Switch float single stage vertical mount
259200301	\$355.00	Temp Control Assembly
4037000	\$95.00	Top Upper Bearing
3150309	\$295.00	Water Filter Assembly
4020004	\$85.00	Water Pressure Switch
4020005	\$16.00	Water Pressure Switch Cover - Red Vinyl
252000104	\$180.00	Water Reservoir w/90° Elbow EI600 Digital and Mechanical
4037013	\$480.00	Water Seal (2 parts) Digital and Mechanical
4037028	\$7.50	Woodruff Key Digital and Mechanical
252000107	\$65.00	Y-Strainer w/fittings - Digital and Mechanical

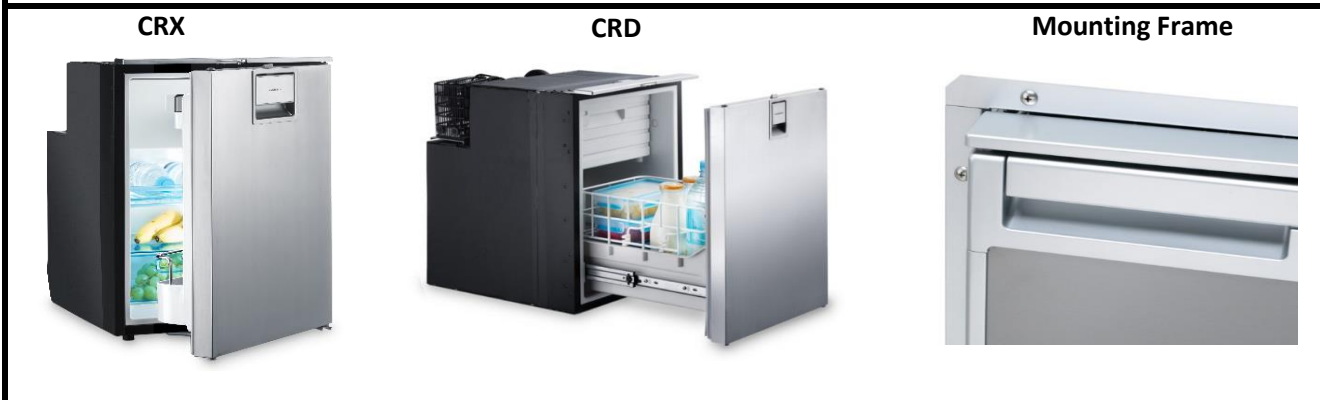
GALLEY PRODUCTS

Refrigerators and Freezers

Eskimo Cup Cooler		
Item	List Price (USD)	Model/Description
250140101	\$199.00	Eskimo Cup Cooler 12VDC w/SS Trim Ring



CRX Door Refrigerator/Freezers			
STAINLESS STEEL DOORS FULL STAINLESS WRAPPED DOORS W/O MOUNT FLANGES			
75502.307.00	\$1,295.00	CRX-1050S 1.7CF AC/DC SS	50 liter SS
75502.307.20	\$1,395.00	CRX-1065S 2.3CF AC/DC SS	65 liter SS
75502.307.40	\$1,495.00	CRX-1080S 2.8CF AC/DC SS	80 liter SS
CRX-1110S	\$1,490.00	CRX-1110S 3.8CF AC/DC SS	110 liter SS
CRX-1140S-A	\$1,555.00	CRX-1140S 4.2CF AC/DC SS	140 liter SS
BLACK DOOR PANEL (U) AND BLACK SURROUND WITH BLACK (F) FLUSH MOUNT			
75502.010.01	\$995.00	CRX-1050U/F,1.7CF,AC/DC	50 liter black flush
75502.010.20	\$1,095.00	CRX-1065U/F,2.3CF,AC/DC	65 liter black flush
75502.010.40	\$1,195.00	CRX-1080U/F 2.8CF AC/DC	80 liter black flush
75502.010.60	\$1,345.00	CRX-1110U/F,3.8CF,AC/DC	110 liter black flush
BLACK DOOR PANEL (U) AND BLACK SURROUND WITH BLACK (S) SPACE SAVER FRAME			
75502.030.00	\$995.00	CRX-1050U/S 1.7CF AC/DC	50 liter black space
75502.030.20	\$1,095.00	CRX-1065U/S 2.3CF AC/DC	65 liter black space
75502.030.60	\$1,345.00	CRX-1110U/S 3.8CF AC/DC	110 liter black space
SILVER DOOR PANEL (S) AND SILVER SURROUND WITH SILVER (F) FLUSH MOUNT			
75502.145.01	\$995.00	CRX-1050E/F-S,1.7CF,AC/DC	50 liter silver flush
75502.145.20	\$1,095.00	CRX-1065E/F-S,2.3CF,AC/DC	65 liter silver flush
75502.145.40	\$1,195.00	CRX-1080E/F-S 2.8CF AC/DC	80 liter silver flush
75502.145.60	\$1,345.00	CRX-1110E/F-S 3.8CF AC/DC	110 liter silver flush
SILVER DOOR PANEL (S) AND SILVER SURROUND WITH SILVER (S) SPACE SAVER FRAME			
75502.165.00	\$995.00	CRX-1050E/S-S 1.7CF AC/DC DC	50 liter silver space
75502.165.60	\$1,345.00	CRX-1110E/S-S 3.8CF AC/DC	110 liter silver space
WHITE DOOR PANEL AND SILVER SURROUND AND SILVER (F) FLUSH MOUNT FLANGES (designed cockpit locations)			
75502.144.00	\$1,045.00	CRX-1050E/F-W 1.7CF AC/DC	50 liter white
75502.144.20	\$1,145.00	CRX-1065E/F-W 2.3CF AC/DC	60 liter white



GALLEY PRODUCTS

Refrigerators and Freezers

CRD Drawer Refrigerators/Freezers				
Item	List Price (USD)	Model	Description	
STAINLESS STEEL DRAWER (SS) FULL STAINLESS WRAPPED PULL OUT DRAWER, W/O MOUNT FLANGE (see below desired mount flange)				
CRD-1050-S-B	\$1,495.00	CRD-1050S 1.7CF AC/DC SS DRAWER	50 liter SS	
BLACK DOOR PANEL DRAWER (U) W/O MOUNT FLANGE (see below desired mount flange)				
74922.000.00	\$1,295.00	CRD-1050U 1.7CF AC/DC DRAWER	50 liter black	
SILVER DOOR PANEL DRAWER (E) W/O MOUNT FLANGE (see below desired mount flange)				
74922.101.00	\$1,295.00	CRD-1050E 1.7CF AC/DC DRAWER	50 liter silver	
CRX/CR/CRD Mount Flanges Stainless Steel, Black and Silver Door Refrigerators/Freezers				
EFM-0050S	\$120.00	FRAME, CR50	STAINLESS	FLUSH MOUNT
EFM-065S	\$110.00	FRAME, CR65	STAINLESS	FLUSH MOUNT
EFM-0080S	\$145.00	FRAME, CR80	STAINLESS	FLUSH MOUNT
EFM-0110S	\$145.00	FRAME, CR110	STAINLESS	FLUSH MOUNT
EFM-0140S	\$145.00	FRAME, CR140	STAINLESS	FLUSH MOUNT
EFM-0050SBD65A	\$95.00	FRAME, CR(X)50	BLACK	FLUSH MOUNT
EFM-0065SBD65A	\$95.00	FRAME, CR(X)65	BLACK	FLUSH MOUNT
EFM-0080U	\$105.00	FRAME, CR80	BLACK	FLUSH MOUNT
EFM-0110SBD65A	\$115.00	FRAME, CR110	BLACK	FLUSH MOUNT
EFM-0050SGD65A	\$90.00	FRAME, CR(X)50	SILVER	FLUSH MOUNT
EFM-0065SGD65A	\$95.00	FRAME, CR(X)65	SILVER	FLUSH MOUNT
EFM-0110SBD65A	\$115.00	FRAME, CR(X)110	SILVER	FLUSH MOUNT
EST-0050S	\$115.00	FRAME, CR50	STAINLESS	SPACE SAVER
EST-0065S	\$120.00	FRAME, CR65	STAINLESS	SPACE SAVER
EST-0080S	\$140.00	FRAME, CR80	STAINLESS	SPACE SAVER
EST-0110S	\$140.00	FRAME, CR110	STAINLESS	SPACE SAVER
EST-0140S	\$140.00	FRAME, CR140	STAINLESS	SPACE SAVER
EST-0050SWD65A	\$85.00	FRAME, CR(X)50	WHITE	SPACE SAVER
EST-0050SBD65A	\$85.00	FRAME, CR(X)50	BLACK	SPACE SAVER
EST-0065SBD65A	\$85.00	FRAME, CR(X)65	BLACK	SPACE SAVER
EST-0080SBD65A	\$95.00	FRAME, CR(X)80	BLACK	SPACE SAVER
EST-0110SBD65A	\$105.00	FRAME, CR(X)110	BLACK	SPACE SAVER
EST-0050E	\$85.00	FRAME, CR50	SILVER	SPACE SAVER
EST-0065E	\$90.00	FRAME, CR65	SILVER	SPACE SAVER
EST-0110E	\$105.00	FRAME, CR110	SILVER	SPACE SAVER
CD Drawer Refrigerators				
CD20-DCB-C	\$800.00	CD-020 0.75CF 12V DC ONLY BLACK		
CD20-DCW-A	\$800.00	CD-020 0.75CF 12V DC ONLY WHITE		
CD-030-D65-C	\$820.00	CD-030 1.1CF 12/24VOLT DC ONLY BLACK		
CD30-DCW-A	\$820.00	CD-030 1.1CF 12/24VOLT DC ONLY WHITE		
CD Drawer Mount Flanges				
291606073	\$130.00	FRAME, CD030 DRAWER SS		FLUSH MOUNT
EST-0500	\$70.00	FRAME, CD030 DRAWER BLACK		FLUSH MOUNT
EST-0500W	\$70.00	FRAME, CD030 DRAWER WHITE		FLUSH MOUNT
CB Built-In Refrigerators/Freezers Top Load				
CB-036	\$1,200.00	CB-036 1.3CF 12/24VOLT DC ONLY		
CB-036AC	\$1,425.00	CB-036 1.3CF AC/DC		
CB-040	\$1,400.00	CB-040 1.4CF 12/2VOLT DC ONLY		
CB-040AC	\$1,625.00	CB-040 1.4CF AC/DC		



GALLEY PRODUCTS

Refrigerators and Freezers

MOBILE COOLING



**Special Pricing for CF(X) Coolers - Standard Discounts do not apply.
Contact your sales representative for pricing.**

CFX Series

Item	List Price (USD)	Description
CFX-28	\$749.00	CFX28 1.0CF,AC/DC,NO WIFI
CFX-35W	\$799.99	CFX35 1.1CF,AC/DC,WIFI
CFX-40W	\$829.99	CFX40 1.4CF,AC/DC,WIFI
CFX-50W	\$899.99	CFX50 1.8CF,AC/DC,WIFI
CFX-65W	\$999.99	CFX65 2.2CF,AC/DC,WIFI
CFX-65DZ	\$999.99	CFX65 2.2CF,AC/DC,DUAL ZONE,NO WIFI
CFX-75DZW	\$1,099.99	CFX75 2.6CF,AC/DC,DUAL ZONE,WIFI
CFX-95DZW	\$1,329.99	CFX95 3.3CF,AC/DC,DUAL ZONE,WIFI
CFX-100W	\$1,329.99	CFX100 AC/DC,WIFI,UL



CF Series

CF18-DC-A	\$555.00	CF-018DC 0.7CF 12/24V DC ONLY
CF25-DC-A	\$660.00	CF-025DC 0.9CF 12/24V DC ONLY
CF35-ACDC-A	\$835.00	CF-035AC110 1.1CF AC/DC
CF40-ACDC-A	\$880.00	CF-040AC110 1.3CF AC/DC
CF50-ACDC-A	\$1,025.00	CF-050AC110 1.7CF AC/DC
CF80-ACDC-A	\$1,210.00	CF-080AC110 2.8CF AC/DC
CF110-ACDC-A	\$1,635.00	CF-110AC110 3.77CF AC/DC



Accessories for CFX Series

CFX-IC28	\$89.99	CFX 28 Cover
CFX-IC35	\$89.99	CFX 35 Cover
CFX-IC40	\$89.99	CFX 40 Cover
CFX-IC50	\$94.99	CFX 50 Cover
CFX-IC65	\$94.99	CFX 65 Cover
CFX-IC75	\$99.99	CFX 75 Cover
CFX-IC95	\$99.99	CFX 95 & 100 Cover
CFX-SLD3540	\$249.99	CFX Slide for CFX-35 / CFX-40
CFX-SLD5065	\$249.99	CFX Slide for CFX-50 / CFX-65
CFX-SLD95100	\$299.99	CFX Slide for CFX-95 / CFX-100
MPS-50US	\$79.00	Converter Plug, 110-240VAC to 24VDC



Accessories for CF Series

CF-IC18	\$54.99	CF-018 Cover
CF-IC25	\$54.99	CF-025 Cover
CF-IC35	\$54.99	CF-035 Cover
CF-IC40	\$59.99	CF-040 Cover
CF-IC50	\$64.99	CF-050 Cover
CF-IC80	\$69.99	CF-080 Cover
CF-IC110	\$69.99	CF-110 Cover



Replacement Parts for CF/CFX Series

4451006881	\$25.00	AC Cord, CF-35/40/50/80/110
81-01-026LGT1	\$18.00	AC/DC Light Assembly, CF35/40
4451037806	\$19.00	AC/DC Light Assembly, CF-50/80/110
4451022639	\$25.00	CF25 Basket
46-026-05TSW	\$33.00	CF35 Basket
46-026-04TSW	\$33.00	CF40 Basket
46-005-04TSW01	\$33.00	CF50 Basket
46-028-32TSW	\$45.00	CF80 Basket
46-028-28TSW	\$75.00	CF110 Basket
SP022COVERAS1	\$70.00	Cover Assembly CF-18
80-T2-2000A11	\$28.00	DC Cord, CF-18/80/110
4451037733	\$35.00	DC Cord, CF-25/35/40/50
81-01-980LGT	\$20.00	DC Light Assembly, CF-25/50DC



GALLEY PRODUCTS

Refrigerators and Freezers

Replacement Parts for CF/CFX Series		
Item	List Price (USD)	Description
4450001830	\$20.00	Fan, Brushless CFX75/95/100
018FANASA	\$36.00	Fan Assembly, CF-25
SP005HANDLEASA	\$65.00	Handle Assembly, CF-50
SP028HANDLEASA	\$55.00	Handle Assembly, CF-80/110
SP028HINGEASA	\$31.00	Hinge Assembly, CF-80/110
SP026LOCKINGASA	\$27.00	Latch Assembly, CF-35/40
SP028LOCKASA	\$18.00	Latch Assembly, CF-80/110
SP026LIDASC	\$70.00	Lid Assembly, CF-35/40
SP005COVERASC	\$180.00	Lid Assembly, CF-50
SP028COVERD65A	\$135.00	Lid Assembly, CF-80/110
UFK-C	\$90.00	Mounting Kit CF-25, 35, 40, 50
4450001983	\$3.06	Thermistors all CF/CFX
Replacement Parts for CR & CD Series		
MPS-35	\$110.00	AC Adapter, "CR," "CB," & "CD" models
70-CB-06B32	\$1.08	Cord Clamp, All CR Series
37-T2-0530ED	\$6.69	DC Power Cord CD30 Series
SD092COMDOORASA	\$355.00	Door Assembly, Black CR-110
4450006339	\$305.00	Door Assembly, Black CR-65
SD091COMDOORASA	\$340.00	Door Assembly, Black CR-80
SD065COMDOORASA	\$330.00	Door Assembly, Black on Black CR-50
SD090COMDOORASB	\$305.00	Door Assembly, Silver CR-65
4450001835	\$20.00	Fan, Brushless CR65, CD50
4450012788	\$20.00	Freezer Door Assembly CR-50
4450015187	\$25.00	Freezer Door Assembly CR-65
42-092-092GS01	\$31.00	Gasket CR-110
4450002709	\$20.00	Gasket CR-50
42-090-090GS01	\$20.00	Gasket CR-65
42-091-091GS01	\$30.00	Gasket CR-80
4450002769	\$25.00	Hinge CR Series
40-090-08PT6C7	\$18.00	Inner Layer Fridge CR-65
40-091-08PT6C7	\$18.00	Inner Layer Fridge CR-80
4450001877	\$29.00	LED Light CR50, 65
298001526	\$310.00	Module 101N0213 STD Marine Only CR, CF
4441000039	\$395.00	Module 101N0500 (AC/DC) CR & CF Units
4450001850	\$10.00	Thermostat CR Series
SP-065PCBASE	\$6.95	Voltage Regulator CR Series
4450007376	\$15.00	Water Pan CR-50
40-090-11PT6C7	\$15.00	Water Pan CR-65
40-091-11PT6C7	\$15.00	Water Pan CR-80
Refrigerator Replacement Parts for R Series		
4443000089	\$39.00	Drip Bowl RPD-110
120340/0	\$80.00	Evaporator Flap RPD-110
2076147012	\$47.00	Evaporator Frame RPD-110
EFM-0100	\$170.00	Flush Mount Frame, RPD-50
EFM-0200	\$135.00	Flush Mount Frame, RPD-65, RSA-60, RPF-50
EFM-0300	\$185.00	Flush Mount Frame, RPD-80, RSA-80
4441600017	\$28.00	Light Voltage Regulator with Bulb R Series
EST-0100	\$80.00	Standard Flange, RPD-50
EST-0300	\$90.00	Standard Flange, RPD-80, RSA-80
4441100007	\$45.00	Thermostat RPD-50/65/80/110
4441100034	\$33.00	Thermostat, RSF-115

GALLEY PRODUCTS

Origo Cooktops and Ovens

Origo Galley Products		
Item Number	List Price (USD)	Description
Alcohol Stoves		
9581401-99	\$335.00	US/C A-Stove 1500
9581409-99	\$470.00	US/C A-Stove 2000 CB
9581405-99	\$465.00	US/C A-Stove 3000 - free standing
9581415-99	\$575.00	US/C A-Stove 4100 CB
Ovens		
9581450-99	\$2,210.00	US/C Oven 6000



Accessories		
9581442-99	\$255.00	US/C Heat Pal 5100
9581482-01	\$130.00	Gimbal 3002
9581480-01	\$70.00	Potholder 3001 fits models 1500, 3000 & 6000
9581481-01	\$80.00	Potholder 4001 fits models 4000, 4100, 2500E & 4300E
3880009-80	\$110.00	Fuel container Complete all stoves except 5100 Heat Pal
3880009-81	\$165.00	Fuel container 5100
3880028-80	\$40.00	Knob + Label 1500/3000/6000
3880036-00	\$19.00	Rubber gasket
3880068-01	\$170.00	Cutting board 4100
3880082-70	\$320.00	Cutting board 4300 complete
3880154-00	\$125.00	Cutting board 2000
3880162-00	\$30.00	Flame spreader
3880253-82	\$335.00	Glass lid black 4100/4300
3880253-83	\$295.00	Glass lid black 2000/2500
3880271-81	\$46.00	Slide control al. Complete
3886023-30	\$7.65	Bumper SJ 5027 PC Board Spacer
3880183-10	\$275.00	Burner element 120 volt, 2500E/4300E

A black and white photograph of a boat on a body of water, framed by tree branches in the foreground. The boat is in the middle ground, and the water is dark. The sky is overcast, and there are some buildings visible in the distance. The text "Replacement Units & Parts Section" is overlaid in the center of the image.

Replacement Units & Parts Section

Legacy Split Gas Condensers Marine Air Authorized Distributors Only

CSD Condensing Unit (6-48K), R417A		
Item Number	List Price (USD)	Description
206411100	\$3,855.00	CSD6UK/1 417A 115V 60HZ
206411200	\$3,535.00	CSD9UK 417A 115V 60HZ
206411300	\$3,645.00	CSD12UK/1 417A 115V 60HZ
206411400	\$3,770.00	CSD16UK/1 417A 115V 60HZ
201411200	\$3,535.00	CSD9UKZ/1 417A 230V 60HZ
201411300	\$3,645.00	CSD12UKZ/1 417A 230V 60HZ
201411400	\$3,770.00	CSD16UKZ/1 417A 230V 60HZ
201411500	\$5,610.00	CSD24URZ/1 417A 230V 60HZ
201411600	\$6,185.00	CSD30URZ/1 417A 230V 60HZ
201411700	\$6,850.00	CSD36URZ/1-417A 230V 60HZ
201411800	\$7,495.00	CSD48URZ/1-417A 230V 60HZ
201411150	\$3,440.00	CSD6UKZ50/1-417A 220V 50HZ
201411250	Call for Pricing	CSD9UKZ50/1-417A 220V 50HZ
201411350	\$3,720.00	CSD12UKZ50/1 417A 220V 50HZ
201411450	\$3,995.00	CSD16UKZ50/1 417A 220V 50HZ
201411550	\$5,700.00	CSD24URZ50/1 417A 220V 50HZ
201411650	\$6,455.00	CSD30URZ50/1 417A 220V 50HZ
201411750	Call for Pricing	CSD36URZ50/1-417A 220V 50HZ
201411850	Call for Pricing	CSD48URZ50/1-417A 220V 50HZ



Legacy Split Gas Condensers and Evaporators Cruisair Authorized Distributors Only

RX Series Condensing Unit (7-48K), R417A with SMXII Control (Display Not Included)

Item Number	List Price (USD)	Description
701307100	\$3,555.00	RX7U-417, 115V 60HZ
701310101	\$3,400.00	RX10U-417, 115V 60HZ
701312100	\$3,510.00	RX12U-417, 115V 60HZ
701316101	\$3,635.00	RX16U-417, 115V 60HZ
701310200	\$3,400.00	RX10UC-417, 230V 60HZ
701312201	\$3,510.00	RX12UC-417, 230V 60HZ
701316201	\$3,635.00	RX16UC-417, 230V 60HZ
701320303	\$5,010.00	RX20UC-417, 230V 60HZ
701320306	\$5,010.00	RX24UC-417, 230V 60HZ
701330308	\$5,545.00	RX30UC-417, 230V 60HZ
701336304	\$6,050.00	RX36UC-417, 230V 60HZ
701348307	\$6,920.00	RX48UC-417, 230V 60HZ
701307302	\$3,295.00	RX7UCK-417, 240V 50HZ
701310301	\$3,475.00	RX10UCK-417, 240V 50HZ
701312302	\$3,575.00	RX12UCK-417, 240V 50HZ
701316302	\$3,860.00	RX16UCK-417, 240V 50HZ
701320305	\$5,210.00	RX20UCK-417, 240V 50HZ
701320308	\$5,210.00	RX24UCK-417, 240V 50HZ
701330309	\$5,670.00	RX30UCK-417, 240V 50HZ
701336303	\$6,180.00	RX36UCK-417, 240V 50HZ
701348305	\$7,140.00	RX48UCK-417, 240V 50HZ



CHECK PRICING AND AVAILABILITY BEFORE PLACING AN ORDER.

R Series Condensing Units, R417A with Mechanical Control (Not Included)

Item Number	List Price (USD)	Description
701107100	\$3,335.00	R7-417 - 115V/60HZ
701110101	\$3,205.00	R10-417 - 115V/60HZ
701112102	\$3,310.00	R12-417 - 115V/60HZ
701116102	\$3,440.00	R16-417 - 115V/60HZ
701110200	\$3,205.00	R10C-417 - 230V 60HZ
701112200	\$3,310.00	R12C-417 - 230V 60HZ
701116200	\$3,465.00	R16C-417 - 230V 60HZ
701120201	\$4,835.00	R20C-417 - 230V 60HZ
701124201	\$5,140.00	R24C-417 - 230V 60HZ
701130201	\$5,395.00	R30C-417 - 230V 60HZ
701136201	\$5,895.00	R36C-417 - 230V 60HZ
701148201	\$6,820.00	R48C-417 - 230V 60HZ
701112300	\$3,385.00	R12CK-417 - 240V 50HZ
701116300	\$3,675.00	R16CK-417 - 240V 50HZ
701024503	\$5,415.00	R24DC-417 - 230V 60HZ 3PH
701336305	\$6,425.00	R36DC-417 - 230V 60HZ 3PH
701148500	\$7,755.00	R48DC-417 - 230V 60HZ 3PH
701136602	\$6,825.00	R36E-417 - 460V 60HZ 3PH
701148601	\$6,300.00	R48E-417 - 460V 60HZ 3PH
701148801	\$7,080.00	R48ECK-417 - 380V 50HZ 3PH



Legacy Split Gas Condensers and Evaporators Cruisair Authorized Distributors Only

RE/REU Series Evaporator Units, R417A			
Item Number	List Price (USD)	Description	
715012423	\$2,455.00	REU20C 230V 60HZ	
715012004	\$2,455.00	REU20C-7"MR 230V 60HZ	
715012404	\$2,640.00	REU24C - 230/50-60/1	
715013003	\$3,320.00	REU30C - 230/50-60/1	
715013601	\$3,320.00	RE36C 36K REMOTE EVAP 230V 60HZ	
EBUL Low Profile Draw-Through Series Evaporator Units, R417A			
Item Number	List Price (USD)	Description	
715041603	\$2,520.00	EBUL16, 2 HV Blowers 115V	
715041604	\$3,270.00	EBULP16, 2 HV Blowers 115V	
715041602	\$3,270.00	EBULP16C, 2 HV Blowers 230V	
715052404	\$3,115.00	EBUL24C, 2 HV Blowers 230V	
715052407	\$3,865.00	EBULP24C, 2 HV Blowers 230V	
715053003	\$3,700.00	EBUL30C, 2 HV Blowers 230V	
715053605	\$3,700.00	EBUL36C, 2 HV Blowers 230V	
EBS Evaporators			
Item Number	List Price (USD)	Description	
715061203	\$2,370.00	EBS12 115V 60HZ	
715061602	\$2,370.00	EBS16S Evap. 3 Speed Motor 115V	
715061603	\$2,370.00	EBS16SC Vertical Discharge 230V 60HZ	
Modulating Condensing Units, R417A			
Item Number	List Price (USD)	Description	
701724201	\$6,410.00	RM24C-417 - 230V 60HZ	
701330207	\$6,955.00	RM30C-417 - 230V 60HZ	
701742205	\$7,215.00	RM42C-417 - 230V 60HZ	
701724202	Call for Pricing	RM24CK-417 - 240V 50HZ	
701730303	\$6,955.00	RM30CK-417 - 240V 50HZ	
701742304	\$7,745.00	RM42CK-417 - 240V 50HZ	
701730501	\$7,465.00	RM30DC-417 - 230V 60HZ 3PH	
701742501	\$8,005.00	RM42DC-417 - 230V 60HZ 3PH	
Modulating Evaporator Units (R417A)			
Item Number	List Price (USD)	Description	
715221006	\$2,940.00	EHMB6C, 230V, 1KW Heat	
715221009	\$2,940.00	EHMB8C, 230V, 1KW Heat	
715221004	\$3,000.00	EHMB10C, 230V, 1.5KW Heat	
715221003	\$3,040.00	EHMB12C, 230V, 2KW Heat	
715221605	\$3,040.00	EHMB16C, 230V, 2KW Heat	
Refrigerant Distribution Manifolds			
238100038	\$325.00	SD8-6 Suction Distrib. 1/2"IN X (3) 3/8"OUT	
238100048	\$290.00	DD4 Discharge Distrib. 3/8"IN X (5) 1/4"OUT	
238100037	\$320.00	DD6-4 Discharge Distrib. 3/8"IN X (3) 1/4"OUT	
CoolBreeze			
For cockpit & flybridge areas (call more information)			
Item Number	List Price (USD)	Description	
703112251	\$4,475.00	RSC12C-417, Cool Only Cond 230V	
715000602	\$2,225.00	SCE6C, Evap w/TX Valve 230V 60HZ***	

Chiller Units and Modules

CRUISAIR AUTHORIZED DISTRIBUTORS AND DEALERS ONLY

MTCGX TITAN Modular Chiller Units, R410A, Replacements Only					
<u>New Item No.</u>	<u>New Description</u>	<u>BTU (k)</u>	<u>List Price (USD)</u>	<u>Old Item Number</u>	<u>Old Description</u>
260161040	MTCGX36 2361	36	\$11,500.00	260151040	MTCGV36C 2361
260161070	MTCGX48 2361	48	\$12,300.00	260127691	MTCGV48C 2361
260161072	MTCGX60 2361	60	\$13,400.00	260127693	MTCGV60C 2361
260161071	MTCGX48 2363	48	\$12,300.00	260127692	MTCGV48DC 2363
260161073	MTCGX60 2363	60	\$13,400.00	260127690	MTCGV60DC 2363
260161038	MTCGX72 2363	72	\$14,100.00	260151038	MTCGV72DC 2363
260161042	MTCGX96 2363	96	\$19,400.00	260151042	MTCGV96DC 2363
260161043	MTCGX120 2363	120	\$21,750.00	260151043	MTCGV120DC 2363
260161049	MTCGX72 3853	72	\$14,600.00	260151049	MTCGV72ECK 3853
260161052	MTCGX96 3853	96	\$19,600.00	260151052	MTCGV96ECK 3853
260161050	MTCGX36 4663	36	\$11,500.00	260151050	MTCGV36EC 4663
260161054	MTCGX72 4663	72	\$14,100.00	260151054	MTCGV72EC 4663
260161051	MTCGX96 4663	96	\$19,400.00	260151051	MTCGV96EC 4663
MTDX TITAN Modular Chiller Units, R410A					
<u>New Item No.</u>	<u>New Description</u>	<u>BTU (k)</u>	<u>List Price (USD)</u>	<u>Old Item Number</u>	<u>Old Description</u>
260161005	MTDX30 2361	30	\$10,400.00	260151005	MTDV30C, 2361
260161010	MTDX36 2361	36	\$10,550.00	260151010	MTDV36C, 2361
260161014	MTDX48 2361	48	\$11,100.00	260151014	MTDV48C, 2361
260161019	MTDX60 2361	60	\$12,150.00	260151019	MTDV60C, 2361
260161048	MTDX48 2361 SmartStart™	48	\$11,500.00	260151048	MTDV48C, 2361, Smart Start
260161036	MTDX60 2361 SmartStart™	60	\$12,600.00	260151036	MTDV60C, 2361, Smart Start
260161012	MTDX36 2363	36	\$10,550.00	260151012	MTDV36DC, 2363
260161016	MTDX48 2363	48	\$11,100.00	260151016	MTDV48DC, 2363
260161021	MTDX60 2363	60	\$12,150.00	260151021	MTDV60DC, 2363
260161025	MTDX72 2363	72	\$13,400.00	260151025	MTDV72DC, 2363
260161028	MTDX96 2363	96	\$18,500.00	260151028	MTDV96DC, 2363
260161031	MTDX120 2363	120	\$20,200.00	260151031	MTDV120DC, 2363
260161017	MTDX48 3853	48	\$11,250.00	260151017	MTDV48ECK, 3853
260161022	MTDX60 3853	60	\$12,350.00	260151022	MTDV60ECK, 3853
260161026	MTDX72 3853	72	\$13,500.00	260151026	MTDV72ECK, 3853
260161032	MTDX120 3853	120	\$20,400.00	260151032	MTDV120ECK, 3853
260161027	MTDX72 4663	72	\$13,400.00	260151027	MTDV72EC, 4663
260161030	MTDX96 4663	96	\$18,500.00	260151030	MTDV96EC, 4663

Additional sizes and voltages available MTD units. Contact your sales representative part number and price.

Notes:

1) Compressor electrical data are nominally rated at the Volt/Hz/Ph listed, and can be operated in the following ranges:

230/60/1 compressors are rated 208 - 230/60/1; 220/50/1 comps 220 - 240/50/1; 230/60/3 comps 208 - 230/60/3;

220/50/3 comps 200 - 220/50/3; 380/50/3 comps 380 - 420/50/3; and 460/60/3 comps 440 - 480/60/3 and 380 - 420/50/3.

These compressors can usually be run at +/-10% of the rated voltage, with these exceptions:

208-230/60/1 -5/+10% a range of 198-253; and 220-240/50/1 -5/+10% a range of 209-264.

more information regarding compressor voltages, refer to field notice FNR#192-B3-C on the Dometic Customer News Website.

2) Dual 50/60Hz Operation: If there is a need a system to be able to run in both 50Hz and 60Hz environments,

the best solution is to use a VFD. Make sure the pumps are rated 50/60Hz, but sized to provide enough flow at 50Hz.

Chiller Units and Modules

MTDX Chiller Unit Bases, Frames, and Headers

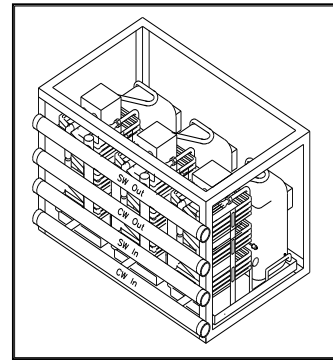
MTDX Multi-Unit Mounting Bases and Frames

2-ton through 6-ton Units

# of Stages	Base	Frame
2	\$1,630.00	\$3,340.00
3	\$1,990.00	\$3,795.00
4	\$2,185.00	\$4,195.00
5	\$2,535.00	\$4,640.00
6	\$3,230.00	\$5,350.00

8-ton and 10-ton Units

# of Stages	Base	Frame
2	\$1,855.00	\$3,445.00
3	\$2,165.00	\$3,780.00
4	\$2,375.00	\$4,385.00
5	\$3,265.00	\$5,430.00
6	\$3,800.00	\$6,435.00



Typical framed chiller with headers

Multi-Unit Chilled Water and Seawater Manifolds

# of Stages	Chiller Size (Tons)	Manifold Size	Manifold Set
2	4 - 12	1.5"	\$4,110
3	4 - 12	1.5"	\$5,660
4	4 - 12	1.5"	\$7,260
6	12 - 18	2.0"	\$10,515
2	13 - 25	2.0"	\$4,760
3	13 - 25	2.0"	\$6,225
4	13 - 25	2.0"	\$7,275
5	13 - 25	2.0"	\$9,290
6	24 - 30	2.5"	\$13,475
3	26 - 36	2.5"	\$9,025
4	26 - 36	2.5"	\$11,060
5	26 - 36	2.5"	\$12,240
6	36	3.0"	\$13,780
4	37 - 60	3.0"	\$12,995
5	37 - 60	3.0"	\$16,260
6	48	3.0"	\$17,100
6	60	4.0"	\$19,085

TWCX Multi-Unit Bases and Manifolds

Chiller Tons	TWC Size	Manifold Size	# of Stages	Manifold Set	Base
4 - 6	TWCX24-36	1.25"	2	\$2,450.00	\$1,625.00
4 - 6	TWCX24-30	1.25"	3	\$3,110.00	\$1,920.00
7 - 9	TWCX30-36	1.5"	3	\$3,695.00	\$1,920.00
10 - 12	TWCX36	2"	4	\$5,045.00	\$2,300.00
10 - 15	TWCX24-36	2"	5	\$6,040.00	\$2,600.00
8 - 10	TWCX48-60	1.5"	2	\$2,845.00	\$1,625.00
12	TWCX72	2"	2	\$3,255.00	\$1,625.00
12 - 18	TWCX48-72	2"	3	\$4,425.00	\$1,920.00
16	TWCX48	2"	4	\$5,305.00	\$2,300.00
20 - 24	TWCX60-72	2.5"	4	\$8,125.00	\$2,300.00
20 - 30	TWCX48-72	2.5"	5	\$8,495.00	\$2,600.00
24 - 30	TWCX48-60	2.5"	6	\$9,640.00	\$2,880.00
36	TWCX72	3"	6	\$13,235.00	\$2,880.00

Chiller Units and Modules

TWCX TITAN Chillers with DDC control panel. Switch or display & cables sold separately.

New Item No.	New Description	BTU (k)	List Price (USD)	Old Item Num	Old Description
260111400	TWCX24 2251 DDC 410A	24	\$6,550.00	260111300	TWCV24CK-DDC 2251
260111408	TWCX30 2251 DDC 410A	30	\$7,050.00	260111308	TWCV30CK-DDC 2251
260111405	TWCX36 2251 DDC 410A	36	\$7,450.00	260111305	TWCV36CK-DDC 2251
260111447	TWCX60 2251 DDC 410A	60	\$9,950.00	260111347	TWCV60CK-DDC 2251
260111471	TWCX30 2361 DDC 410A	30	\$7,050.00	260111371	TWCV30C-DDC 2361
260111412	TWCX36-SC 2361 DDC 410A	36	\$7,450.00	260111312	TWCV36C-DDC 2361
260111435	TWCX48 2361 DDC 410A	48	\$9,150.00	260111335	TWCV48C-DDC 2361
260111485	TWCX30 2363 DDC 410A	30	\$7,150.00	260110367	TWCV30DC-DDC 2363
260111414	TWCX36-SC 2363 DDC 410A	36	\$7,550.00	260111314	TWCV36DC-DDC-SC 2363
260111473	TWCX60 2363 DDC 410A	60	\$10,050.00	260111373	TWCV60DC-DDC 2363
260111409	TWCX36-SC 3853 DDC 410A	36	\$7,650.00	260111309	TWCV36ECK-DDC 3853
260111423	TWCX48 3853 DDC 410A	48	\$9,550.00	260111323	TWCV48ECK-DDC 3853
260111432	TWCX60 3853 DDC 410A	60	\$10,150.00	260111332	TWCV60ECK-DDC 3853
260111422	TWCX72 3853 DDC 410A	72	\$10,750.00	260111322	TWCV72ECK-DDC 3853

TWCX Chillers with DDC control panel and SmartStart

260111459	TWCX30 2361 DDC 410A SS	30	\$7,500.00	260111359	TWCV30C-DDC, 2361 SmartStart
260111463	TWCX36 2361 DDC 410A SS	36	\$7,900.00	260111363	TWCV36C-DDC, 2361 SmartStart
260111443	TWCX48 2361 DDC 410A SS	48	\$9,600.00	260111343	TWCV48C-DDC, 2361 SmartStart
260111461	TWCX30 2251 DDC 410A SS	30	\$7,500.00	260111361	TWCV30CK-DDC 2251 SmartStart
260111460	TWCX36 2251 DDC 410A SS	36	\$7,900.00	260111360	TWCV36CK-DDC 2251 SmartStart
260111418	TWCX48 2251 DDC 410A SS	48	\$9,600.00	260111318	TWCV48CK-DDC, 2251 SmartStart

TWCX Chillers with TWLC control panel.

260111403	TWCX36 2361 TWLC 410A	36	\$7,000.00	260111303	TWCV36C-TWLC 2361
260111428	TWCX48 2361 TWLC 410A	48	\$8,900.00	260111328	TWCV48C-TWLC 2361
260111444	TWCX60 2361 TWLC-RMT 410A	60	\$9,600.00	260111344	TWCV60C-TWLC-Remote 2361
260111420	TWCX72 2361 TWLC 410A	72	\$10,200.00	260111320	TWCV72C-TWLC, 2361
260111406	TWCX36 2251 TWLC 410A	36	\$7,100.00	260111306	TWCV36CK-TWLC 2251
260111504	TWCX48 2251 TWLC 410A	48	\$8,900.00	260111330	TWCV48CK TWLC 410A 2251
260111451	TWCX60 2251 TWLC 410A	60	\$9,600.00	260111351	TWCV60CK-TWLC 2251
260111486	TWCX30 2363 TWLC 410A	30	\$7,000.00	260110369	TWCV30DC-TWLC 2363
260111431	TWCX48 2363 TWLC 410A	48	\$9,350.00	260111331	TWCV48DC-TWLC 2363
260111445	TWCX60 2363 TWLC-RMT 410A	60	\$9,950.00	260111345	TWCV60DC-TWLC-Remote 2363
260111427	TWCX72 2363 TWLC 410A	72	\$10,200.00	260111327	TWCV72DC-TWLC 2363

TWCX Chillers with TWLC control panel and SmartStart

260111440	TWCX48 2361 TWLC 410A SS	48	\$9,350.00	260111340	TWCV48C TWLC, 2361 SmartStart
260111436	TWCX60 2361 TWLC 410A SS	60	\$10,050.00	260111336	TWCV60C-TWLC, 2361 SmartStart
260111419	TWCX48 2251 TWLC 410A SS	48	\$9,350.00	260111319	TWCV48CK-TWLC, 2251 SmartStart

additional voltages please contact your Cruisair Applications Representative.

Chiller Unit Notes:

- Only TWCV24-36 chillers come with a remote mountable control box. TWCV48-72 chillers with a remote mountable control box are available (add \$800 list).
- TWC Chillers have R-410A refrigerant as standard.
- Pump relays (x2) will be needed if multiple chillers are used.
- Following parts must be ordered:
 - TWLC keypad/display (one or more)
 - A-416/## temp sensor CW supply
 - Probe well temp sensor if using plastic pipe.

Manifold Notes:

- Manifolds are part of a multi-stage chiller system and are not sold separately
- Call pricing on vertical frames and manifolds
- The manifold set includes:
 - Inlet and outlet CW manifolds, insul. copper
 - Inlet and outlet SW manifolds CPVC
 - FPT connections at both ends of manifolds.



TWCX48-72

Chiller Units and Modules

MARINE AIR AUTHORIZED DISTRIBUTORS AND DEALERS ONLY

MCGX TITAN Modules Reverse Cycle, R410A Refrigerant, DDC Control					
<u>New Item No.</u>	<u>New Description</u>	<u>BTU (K)</u>	<u>List Price (USD)</u>	<u>Old Item Num</u>	<u>Old Description</u>
260162006	MCGX36 2251	36	\$10,850.00	260152006	MCGV36 2251
260162010	MCGX48 2251	48	\$11,350.00	260152010	MCGV48 2251
260162059	MCGX48 2251 SmartStart™	48	\$11,800.00	260152059	MCGV48 2251 Smart Start™
260162015	MCGX60 2251	60	\$12,450.00	260152015	MCGV60 2251
260162005	MCGX36 2361	36	\$10,850.00	260152005	MCGV36 2361
260162009	MCGX48 2361	48	\$11,350.00	260152009	MCGV48 2361
260162039	MCGX48 2361 SmartStart™	48	\$11,800.00	260152039	MCGV48 2361 Smart Start™
260162014	MCGX60 2361	60	\$12,450.00	260152014	MCGV60 2361
260162038	MCGX60 2361 SmartStart™	60	\$12,900.00	260152038	MCGV60 2361 Smart Start™
260162019	MCGX72 2361	72	\$13,350.00	260152019	MCGV72 2361
260162007	MCGX36 2363	36	\$10,950.00	260152007	MCGV36 2363
260162011	MCGX48 2363	48	\$11,450.00	260152011	MCGV48 2363
260162016	MCGX60 2363	60	\$12,550.00	260152016	MCGV60 2363
260162020	MCGX72 2363	75	\$13,450.00	260152020	MCGV72 2363
260162023	MCGX90 2363	90	\$18,450.00	260152023	MCGV90 2363
260162026	MCGX120 2363	120	\$20,250.00	260152026	MCGV120 2363
260162012	MCGX48 3853	48	\$11,550.00	260152012	MCGV48 3853
260162017	MCGX60 3853	60	\$12,650.00	260152017	MCGV60 3853
260162021	MCGX72 3853	72	\$13,550.00	260152021	MCGV72 3853
260162024	MCGX90 3853	90	\$18,550.00	260152024	MCGV90 3853
260162027	MCGX120 3853	120	\$20,350.00	260152027	MCGV120 3853
260162030	MCGX150 3853	150	\$29,050.00	260152030	MCGV150 3853
260162033	MCGX180 3863	180	\$30,950.00	260152033	MCGV180 3863
260162013	MCGX48 4663	48	\$11,450.00	260152013	MCGV48 4663
260162018	MCGX60 4663	60	\$12,550.00	260152018	MCGV60 4663
260162028	MCGX120 4663	120	\$20,250.00	260152028	MCGV120 4663

Notes MCGV Chillers

1. DDC modules are "Stand Alone", single stage MCG chillers with DDC controls, one electrical box per stage. These modules can be staged together to the required total capacity. Each module requires a dedicated circuit breaker in the ship's A/C panel. *OTS Box or Mechanical Switch is REQUIRED
2. Multi-Stage modules can be calculated by taking DDC List price less \$800. These modules are part of a multi-staged system with a single multi-unit "welded" control panel containing CWMC or PLC controls & one circuit breaker per stage.
3. 380/460V DDC "stand-alone" modules that do not have 115V or 230V available (either separate control power feed or a neutral), add \$175 per stage for a transmer that will be included in the DDC box.

MCGX-LP TITAN ' Low Profile' Modules Reverse Cycle R410A Refrigerant, DDC Control					
<u>New Item No.</u>	<u>New Description</u>	<u>BTU (K)</u>	<u>List Price (USD)</u>	<u>Old Item Num</u>	<u>Old Description</u>
260163001	MCGXLP36 2361	36	\$12,050.00	260153001	MCGVLP36 2361
260163005	MCGXLP48 2361	48	\$12,550.00	260153005	MCGVLP48 2361
260163042	MCGXLP48 2361 SmartStart™	48	\$13,000.00	260153042	MCGVLP48 2361Smart Start
260163010	MCGXLP60 2361	60	\$13,550.00	260153010	MCGVLP60 2361
260163026	MCGXLP60 2361 SmartStart™	60	\$14,000.00	260153026	MCGVLP60 2361Smart Start
260163003	MCGXLP36 2363	36	\$12,150.00	260153003	MCGVLP36 2363
260163007	MCGXLP48 2363	48	\$12,650.00	260153007	MCGVLP48 2363
260163012	MCGXLP60 2363	60	\$13,650.00	260153012	MCGVLP60 2363
260163016	MCGXLP72 2363	72	\$15,050.00	260153016	MCGVLP72 2363
260163013	MCGXLP60 3853	60	\$14,150.00	260153013	MCGVLP60 3853
260163017	MCGXLP72 3853	72	\$15,150.00	260153017	MCGVLP72 3853
260163014	MCGXLP60 4663	60	\$13,650.00	260153014	MCGVLP60 4663

Additional sizes and voltages available. Call your sales representative for part number and price.

Chiller Units and Modules

MARINE AIR AUTHORIZED DISTRIBUTORS AND DEALERS ONLY

MCGX CHILLER BASES

# of Stages	2-6 ton	7-10 ton	12-15 ton
2	\$1,397.00	\$1,850.00	\$1,850.00
3	\$1,634.00	\$2,033.00	\$2,139.00
4	\$1,876.00	\$2,238.00	\$2,443.00
5	\$2,081.00	\$2,443.00	\$2,747.00

Note: Use 7-10 ton base price for 50hz 6-ton chillers

MCGX CHILLER MANIFOLDS SETS

Chiller Tons	Manifold Size	# of Stages	Manifold Set	Dual Feed add per Set
4 - 10	1.5"	2	\$3,914.00	\$228.00
4 - 10	1.5"	3	\$4,981.00	\$228.00
4 - 10	1.5"	4	\$6,983.00	\$228.00
11 - 18	2.0"	2	\$4,074.00	\$230.00
11 - 18	2.0"	3	\$4,803.00	\$230.00
11 - 18	2.0"	4	\$5,580.00	\$230.00
11 - 18	2.0"	5	\$6,150.00	\$230.00
19 - 33	2.5"	2	\$6,635.00	\$601.00
19 - 33	2.5"	3	\$6,772.00	\$601.00
19 - 33	2.5"	4	\$6,903.00	\$601.00
19 - 33	2.5"	5	\$7,037.00	\$601.00
34 - 50	3.0"	3	\$11,192.00	\$799.00
34 - 50	3.0"	4	\$12,431.00	\$799.00
34 - 50	3.0"	5	\$13,639.00	\$799.00

The manifold set includes:

- Inlet and outlet CW manifolds, insulated copper
- Inlet and outlet SW manifolds, PVC, with cleanout plug at opposite end of manifold connection
- FPT connections at one end of manifold

Manifolds are part of a multi-stage chiller system and are not sold separately. Call for pricing on vertical frames and manifolds.

The Dual-Feed option allows connection at either side of manifold; both sides will have FPT connection, with a plug in one end.

Chiller Compact (CHC) R410A Units and Accessories

Item Number	List Price (USD)	Description
CHILLER COMPACT, R410A		
260114006	\$3,650.00	CHCG16 PVE 1161
260114005	\$3,950.00	CHCG16 PVE 1161 SmartStart™
260114013	\$3,650.00	CHCG16Z PVE 2361
260114010	\$3,950.00	CHCG16Z PVE 2361 SmartStart™
260114011	\$3,750.00	CHCG16Z50 PVE 2251
260114012	\$4,725.00	CHCG24Z PVE 2361
260114024	\$5,325.00	CHCG24Z PVE 2361 SmartStart™
260114030	\$4,875.00	CHCG24Z3 PVE 2363
CHILLER COMPACT MOUNTING BASES		
291700319	\$1,340.00	2 CHC20@50HZ or 24 without Pmp Pkg
291700191	\$1,300.00	3 CHC20@50HZ or 24 without Pmp Pkg
291700178	\$1,750.00	4 CHC20@50HZ or 24 without Pmp Pkg
CHILLER COMPACT MANIFOLD SETS (Copper CW & PVC SW)		
297500064	\$1,430.00	2 CHC16 or 2 CHC20@60HZ (1.00")
297500065	\$1,430.00	2 CHC20@50HZ or 2 CHC24 (1.00")
298001112	\$2,705.00	3 CHC20@50HZ or 3 CHC24 (1.25")



Note: CHC16-20 should be sized to 100%, while CHC24 should be sized to 90% of the total air handler load.

REFRIGERATION

Grunert Refrigeration Systems

PASSAGEMAKER - AC Voltage Condensers (R404A Low Temp " 400 Series")

Condensers all applications.

Item	List Price USD	Model	Description
256000120	\$2,875.00	AC425	1/4 HP Hermetic, 404A, 115 Volt
256000122	\$3,950.00	AC450	1/2 HP Hermetic, 404A, 115 Volt
256000148	\$4,580.00	AC450HA	1/2 HP Hermetic, 404A, 115 Volt Air / Water
256000123	\$3,950.00	AC450Z	1/2 HP Hermetic, 404A, 230 Volt
256000174	\$4,100.00	AC475	3/4 HP Hermetic, 404A, 115 Volt
256000175	\$4,700.00	AC475HA	3/4 HP Hermetic, 404A, 115 Volt Air / Water
256000177	\$4,970.00	AC475Z	3/4 HP Hermetic, 404A, 230 Volt
256000187	\$5,015.00	AC475Z50	3/4 HP Hermetic, 404A, 220 Volt, 50Hz

CAPACITIES:

Equipment operated at 60 cycles will run at 100% rated capacity.

Equipment operated at 50 cycles will run at 82% rated capacity.

VOLTAGE REQUIREMENTS:

Add "Z" to Model Number all 230 volt equipment.

When 60 cycle equipment is operated at 50 cycles with line voltage in excess of 220 volts, a step-down transformer

MUST be used in conjunction with the equipment in order to reduce the line voltage to the recommended 200 or

220 volt range. See the Additional Components section step-down transformer # 335894.



TYPICAL TWO BOX APPLICATION COMPONENTS LIST & RELATED NOTES

A typical two box application that has one refrigerator box and one freezer box should consist of the following:

- 1) The condensing unit. Or two condensing units, one AC & one DC, if it is a dual circuit application as well.
- 2) Solenoid Valve Tee assembly (one per condensing unit), 12VDC solenoid use with AC condenser, or DC solenoid must match the DC condensing unit's voltage (12, 24 or 32).
- 3) Check Valve Tee assembly (one per condensing unit).
- 4) Expansion Valves: Two per condensing unit, one each box of a single circuit or two each box of a dual circuit. Valves must be ordered specifically the capacity of the plate(s), type of box (refer or freezer), and refrigerant used.
- 5) T-Stats: Two per condensing unit (one each box of a single circuit or two each box of a dual circuit). T-Stats must ordered specifically the type of box (refer or freezer) and the temperature of the holdover plate(s).
- 6) In a single circuit application the holdover plates will have crossovers while in a dual circuit system they will not.
- 7) A dual circuit system, with one AC condenser & one DC condenser, requires one AC pump & one DC pump.
- 8) Refer to drawing G2030015 in the Grunert AC/DC manual a sample schematic of a two box, dual circuit system.
- 9) Solenoid Valves and Check Valves are not needed single box applications.
- 10) Seawater pump(s) and related components to be sized condensing unit(s).

REFRIGERATION

Grunert Refrigeration Systems

Thermostats			
Item No.	List Price USD	Model Number	Description
259200100	\$200.00	T-STAT-I-R	Refrigeration T-Stat Assy. - Internal, 26 degree F plates
259200250	\$135.00	T-STAT-B-R	Refrigeration T-Stat Assy. - Bulkhead Mount, 26 deg F
259200200	\$175.00	T-STAT-I-F	Freezer T-Stat Assy. - Internal, 0 degree F plates
259200260	\$145.00	T-STAT-B-F	Freezer T-Stat Assy. - Bulkhead Mnt, 0 degree F plates
259200504	\$300.00	T-STAT-I -9 / -18	Freezer T-Stat Assy. - Internal, -9 & -18 degree F plates
259200505	\$225.00	T-STAT-B -9 / -18	Freezer T-Stat Assy. - Bulkhead Mnt, -9 & -18 deg F plates
Expansion Valves			
Expansion Valve Size	Total Refrigerator Holdover Plate Capacity	Total Freezer Holdover Plate Capacity	
1/4	1000-3800 BTU	1000-3200 BTU	
1/2	3800-7000 BTU	3200-6100 BTU	
1	7000-13000 BTU	6100-11400 BTU	
R404A EXPANSION VALVES			
259332691	\$240.00	EV 1/4R-404A	Exp. Valve 1/4 - Refrigerator (R404A)
259332692	\$240.00	EV 1/4F-404A	Exp. Valve 1/4 - Freezer (R404A)
259332462	\$140.00	EV1/2R-404A	Exp. Valve 1/2 - Refrigerator (R404A)
259332463	\$140.00	EV1/2F-404A	Exp. Valve 1/2 - Freezer (R404A)
259332686	\$135.00	EV1R-404A	Exp. Valve 1 - Refrigerator (R404A)
259332687	\$135.00	EV1F-404A	Exp. Valve 1 - Freezer (R404A)
R134A EXPANSION VALVES			
259331456	\$135.00	EV1/4R-409/134	Exp. Valve 1/4 - Refrigerator (R409A, R12, or R134A)
259331457	\$135.00	EV1/4F-409/134	Exp. Valve 1/4 - Freezer (R409A, R12, or R134A)
259331458	\$135.00	EV1/2R-409/134	Exp. Valve 1/2 - Refrigerator (R409A, R12, or R134A)
259331459	\$135.00	EV1/2F-409/134	Exp. Valve 1/2 - Freezer (R409A, R12, or R134A)

Note: These expansion valves are factory set R134A. They may require field adjustment if used R12 or R409A.

Components and Parts			
Item	List Price USD	Model	Description
332066	\$80.00	AX28	Belt, 30" OD AX-28 DC425-450BD
330300	\$180.00	BRSH 12V	Brush 12V DC motor 1/4HP, 1/3HP, 1/2HP and 1HP
331235	\$450.00	CLCND AC100-150	Coil, AC100 - 150
297606603	\$740.00	CLCND AC475	Coil, AC475 - 2003 units w/item no. 25600017#
369627	\$335.00	CLCND AC50-75	Coil, AC50 - 75
293013105	\$1,035.00	AC450(HA)	Comp, 1/2 HP Hermetic, 404A, 115 Volt
293045161	\$1,020.00	AC450Z	Comp, 1/2 HP Hermetic, 404A, 230 Volt
293013106	\$1,175.00	AC475(HA)	Comp, 3/4 HP Hermetic, 404A, 115 Volt
3123930	\$60.00	F1/4"5505-04B-06	Conn, Female #4A QC VA-built Polar Mates (2001 to present)
338485	\$60.00	F1/4"AER4/8/5505	Conn, Female #5 QD FL-built Polar Mates (thru early 2001)
3123940	\$60.00	M1/4"5502-04B-06	Conn, Male #4A QC VA-built Polar Mates (2001 to present)
338484	\$60.00	M1/4"AER4/8/5502	Conn, Male #5 QD FL-built Polar Mates (thru early 2001)
330367	\$320.00	FAN DOCK 115V	Fan AC416, AC16, 115V
338801	\$160.00	FAN BSDR 12V	Fan Baysider 12V
263400643	\$630.00	FAN ACHA 10" 12V	Fan, AC-HA units, 10" max flow, 12V
369591	\$29.00	FLTR DR 1/4"	Filter Drier AC25, AC425, AC16HA, and AC416HA
332717	\$85.00	FLTR DR C083	Filter Drier AC4150 & AC4200
338541	\$39.00	FLTR DR C082	Filter Drier AC450-4100, AC50-100, DC425-4100, DC25-100, A-HX-R
338712	\$1,300.00	MTR 1/4HP 12V	Motor 1/4HP, 12VDC DC425

REFRIGERATION

Grunert Refrigeration Systems

Components and Parts			
Item	List Price USD	Model	Description
332071	\$5.47	KIT ORING / FL	O-ring to flare adapter kit ED75 (R12, R134A, R409A)
Above kit includes the inserts and O-rings to convert the ports (suction and hot gas compressor) of the ED75 to flare connections.			
332897	\$15.00	RELAY12VDC	Pump Relay PM, 12VDC SPNO 40A w/ mounting ear
225500018	\$450.00	PML150/12V	Pump, P-800 with bracket, 2 GPM @ 7' head .
225500019	\$840.00	P900-12V	Pump, P-900 - 12 Volt, 4.3GPM @ 7.5' head, 3.6GPM @ 10' head
Note: P-900 contains replaceable brushes			
259100050	\$625.00	1/4"TEE, 12VLT	Solenoid "T" Assembly, 12 Volt
4070009	\$135.00	SC12	Solenoid Coil, 12 Volt, 10 Watt
259100300	\$305.00	SVC 12VLT	Solenoid Valve/Coil Assembly, 12 Volt
332468	\$185.00	PSHG 200PSI	Switch, HPS 200psi OFF, 150psi ON, R12, R134A, R406, R409A
332590	\$100.00	PSHG 400PSI	Switch, HPS 400psi OFF, 300psi ON, R22, and R406 systems
338630	\$235.00	RDT	Thermometer Remote Dial (3.5" dia, -20>120 degrees)
338752	\$85.00	TSTAT-FRZR	Thermostat, w/72" Cap FRZR w/Off A30-2290-00
Note: The above replacement Thermostats do not have a plate and are not used with Polar Mates.			
338551	\$85.00	TSTAT-REFER	Thermostat, w/72" Cap RFG w/Off A30-544/72" Cap RFG
291510044	\$140.00	TRANS w/PLATE	Transformer MAG FD8-16 with mounting plate
259100200	\$335.00	1/2"CV TEE	Valve, Assy Check 1/2" Tee
338568	\$90.00	1/2"CV	Valve, Check 1/2" Flare

FLAT EVAPORATOR PLATES - Stainless Steel Wet and Dry Plates

Grunert offers two types of flat evaporator plates. The first style is constructed of 316 stainless steel and all seams are welded. It is designed to be used in a "wet" application in either a cockpit cooler or freezer that may contain salt or fresh water. The second is constructed of 304 stainless steel to be used in a "dry" application, i.e. drink box, bait freezer or standard refrigeration. There are no standard sizes, because all flat evaporator plates are custom built.

All custom plates must have customer sign-off prior to initiation of manufacturing.
If interested in these items, please contact your Sales Representative.

PROPRIETARY NOTE: THE INFORMATION CONTAINED WITHIN THIS DOCUMENT IS THE PROPERTY OF DOMETIC CORPORATION. ANY ATTEMPT TO COPY OR DISTRIBUTE WITHOUT WRITTEN CONSENT FROM DOMETIC CORPORATION SHALL BE CONSIDERED UNLAWFUL AND CAN BE CONTESTED IN A COURT OF LAW.

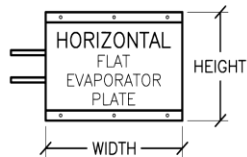
REV	DATE	REVISION DESCRIPTION	DWG	APR
J	9/27/01	UPDATE PRICING CALCULATIONS,CAD964-01	DRR	RAP
K	9/28/01	REVERSE WET & DRY VALUES,ADD 144,CAD969-01	DRR	RAP
L	10/29/01	REMOVE SWAGELOK FITTINGS,CAD1062-01	DRR	RAP
M	2/3/04	UPDATED TO 2004 PRICES,CAD070-04	DRR	RAP

FLAT EVAPORATOR PLATE SPECIFICATIONS

- Stainless steel outer shell (dry plate with 304SST, wet plate with 316L SST)
- 3/8" O.D. tube core and refrigerant connections:
Stainless steel for wet plates,
Copper for dry plates.
- Slim profile (9/16" thick)

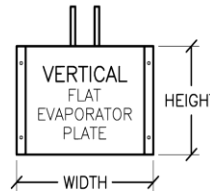
WIDTH _____"/cm x HEIGHT _____"/cm = _____ TOTAL SQUARE INCHES OR CENTIMETERS

NOTE: First dimension of model number indicates width in inches, second dimension indicates height in inches.



Complete this section for a HORIZONTAL plate:

- 1) Choose either WET or DRY plate (circle one).
- 2) Specify WIDTH of plate _____
(8.0"/20.3cm min. and 44.0"/111.8cm max.)
- 3) Specify HEIGHT of plate _____
(7.5"/19.1cm min. and 45.75"/116.2cm max.)
- 4) Length of 3/8"Ø O.D. refrigerant extensions:
(8.0"/20.3cm is standard) _____
- 5) Location of extensions (circle one):
TOP / CENTER / BOTTOM (center is standard)
- 6) If extensions not center, distance from outside flange: (2.0"/5.1cm min.) _____
- 7) Refrigerant extension fitting type (circle one):
FLARE / QD / NONE



Complete this section for a VERTICAL plate:

- 1) Choose either WET or DRY plate (circle one).
- 2) Specify WIDTH of plate _____
(9.5"/24.2cm min. and 45.5"/115.6cm max.)
- 3) Specify HEIGHT of plate _____
(6.0"/15.2cm min. and 44.25"/112.4cm max.)
- 4) Length of 3/8"Ø O.D. refrigerant extensions:
(8.0"/20.3cm is standard) _____
- 5) Location of extensions (circle one):
LEFT / CENTER / RIGHT (center is standard)
- 6) If extensions not center, distance from outside flange: (2.0"/5.1cm min.) _____
- 7) Refrigerant extension fitting type (circle one):
FLARE / QD / NONE

MOUNTING CONSIDERATIONS (PLATES ARE POSITION SENSITIVE):

Horizontal plates can be mounted with the refrigerant extensions going left or right, but the refrigerant must always feed into the bottom tube. Vertical plates can be mounted with the refrigerant extensions going up or down, but the refrigerant must always feed into the tube on the right. These guidelines apply while looking at the finished surface on front of a plate. Plates used as shelves may be fed from either tube. Plates have 3/4" mounting flanges with 1/4" holes.

CUSTOMER SIGNOFF

DATE: _____
COMPANY NAME: _____
YACHT MODEL: _____
SIGNATURE: _____
PRINT NAME: _____

Dometic Corporation

Grunert

FLAT EVAPORATOR PLATE RETAIL PRICE WORKSHEET

DATE: 3-23-95	DWG BY: DKM	PART NUMBER: Q	DWG	G6030002	REV	M
SCALE: NTS	APR BY: DTS	N/A	DWG			

Turbo Replacement Parts Table

R410A Only

Turbo unit BTU's, voltage, and frequency	Evap Assembly w/Strainer	Condenser Coil Assembly	Compressor Assembly	Reversing Valve Assembly	Blower Assembly	Comp Overload	Drain Pan Assembly	Dual Run Cap
6K 115V 60Hz	239401027	239401015	239402044	239100071	239400052	332849	239300022	4040028
8K 115V 60Hz	239401028	239401015	239402046	239100071	239400054	332849	239300022	4040042
10K 115V 60Hz	239401029	239401016	239402049	239100073	239400056	4120047	239300023	4040029
12K 115V 60Hz	239401030	239401016	239402052	239100073	239400056	4120062	239300023	4040052
16K 115V 60Hz	239401031	239401017	239402055	239100075	239400058	4120046	239300024	337047
6K 230V 60Hz	239401027	239401015	239402045	239100072	239400053	Call PN	239300022	337048
8K 230V 60Hz	239401028	239401015	239402047	239100072	239400055	Call PN	239300022	4040040
10K 230V 60Hz	239401029	239401016	239402050	239100074	239400057	4120061	239300023	336033
12K 230V 60Hz	239401030	239401016	239402053	239100074	239400057	4120057	239300023	4040041
16K 230V 60Hz	239401031	239401017	239402056	239100076	239400059	4120022	239300024	4040043
6K 220V 50Hz	239401027	239401015	239402048	239100072	239400053	Call P/N	239300022	337048
8K 220V 50Hz	239401028	239401015	239402048	239100072	239400055	Call P/N	239300022	4040040
10K 220V 50Hz	239401029	239401016	239402051	239100074	239400057	Call P/N	239300023	336033
12K 220V 50Hz	239401030	239401016	239402054	239100074	239400057	Call P/N	239300023	4040041
16K 220V 50Hz	239401031	239401017	239402057	239100076	239400059	4120040	239300024	4040044

R417A Only

Turbo unit BTU's, voltage, and frequency	Evap Assembly w/Strainer	Condenser Coil Assembly	Compressor Assembly	Reversing Valve Assembly	Blower Assembly	Comp Overload	Drain Pan Assembly	Dual Run Cap
6K 115V 60Hz	239401009	239401015	239402020	239100071	239400052	4043100	239300022	4040028
8K 115V 60Hz	239401010	239401015	N/A	239100071	239400054	4120008	239300022	4040042
10K 115V 60Hz	239401011	239401016	239402025	239100073	239400056	4120038	239300023	4040029
12K 115V 60Hz	239401012	239401016	239402028	239100073	239400056	4120007	239300023	4040029
16K 115V 60Hz	239401014	239401017	239402060	239100075	239400058	4120027	239300024	4040039
8K 230V 60Hz	239401010	239401015	239402023	239100072	239400055	4120006	239300022	4040040
10K 230V 60Hz	239401011	239401016	Call P/N	239100074	239400057	4120039	239300023	336033
12K 230V 60Hz	239401012	239401016	239402029	239100074	239400057	4120010	239300023	4040037
16K 230V 60Hz	239401014	239401017	239402035	239100076	239400059	4120022	239300024	4040043
6K 220V 50Hz	239401009	239401015	239402021	239100072	239400053	4120024	239300022	4040034
8K 220V 50Hz	239401010	239401015	239402024	239100072	239400055	4120025	239300022	4040040
10K 220V 50Hz	239401011	239401016	239402027	239100074	239400057	4120028	239300023	4040035
12K 220V 50Hz	239401012	239401016	239402030	239100074	239400057	335573	239300023	4040041
16K 220V 50Hz	239401014	239401017	239402036	239100076	239400059	332859	239300024	4040044

R410A & R417A All sizes and voltages

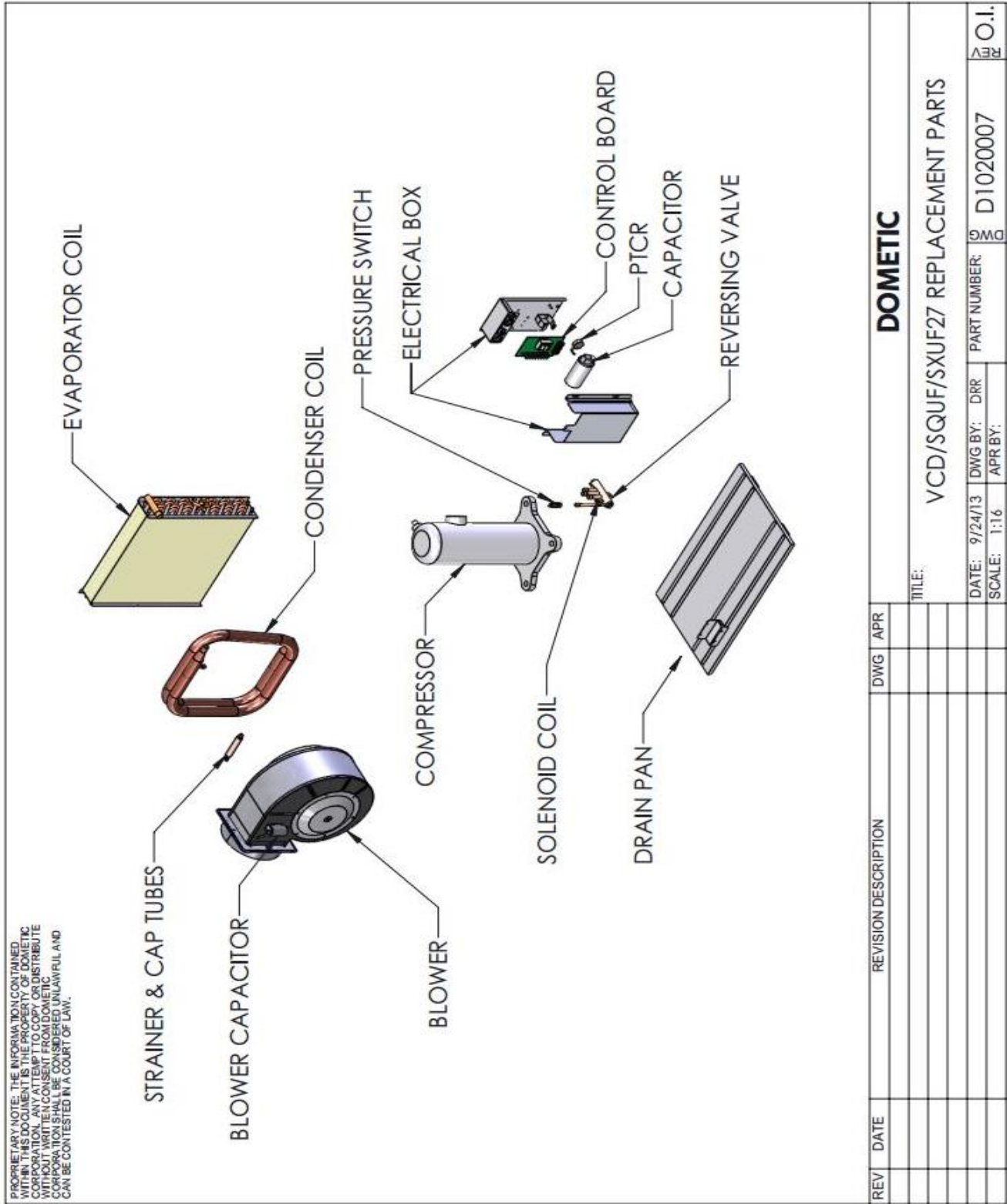
Turbo Units 6-16K	Drain Pan Mount Kit	High Pressure Switch - Digital	High Pressure Switch - Mechanical
ALL 410A	290339944	4024214	4024218
ALL 417A	290339944	4024300	4024400

R410A & R417A All sizes

Turbo Units 6-16K	Reversing Valve Solenoid
410A & 417A 115V	4071503
410A & 417A 220V	4071603
410A & 417A 230V	4071603

Turbo Units 6-16K	Circuit Board
DTU Units	223100502
VTD Units	223100500
STX Units	722300288
STQ Units	701800004

DX REPLACEMENT PARTS DCU (VCD-SQUF-SXUF)18-27K Parts Breakdown



DX REPLACEMENT PARTS

18K - 27K Compact Units Replacement Parts Table

Compact R410A

Capacity	Voltage	Condenser	Blower	Blower Capacitor	Evap.	Rev. Valve	Solenoid Coil	Mounting Kit	Cap Tube
18000	115V	293044246	239400027	331027	335898	290339643	4071502	291049008	3150018
18000	230V	293044246	239400047	2053101	335898	290339643	4071602	291049008	3150018
18000	220V	293044246	239400047	2053101	335898	290339643	4071602	291049008	3150018
27000	230V	333344	293042221	4040058	331890	290339643	4071602	291049013	332110
27000	220V	333344	293042221	4040058	331890	290339643	4071602	291049013	332110

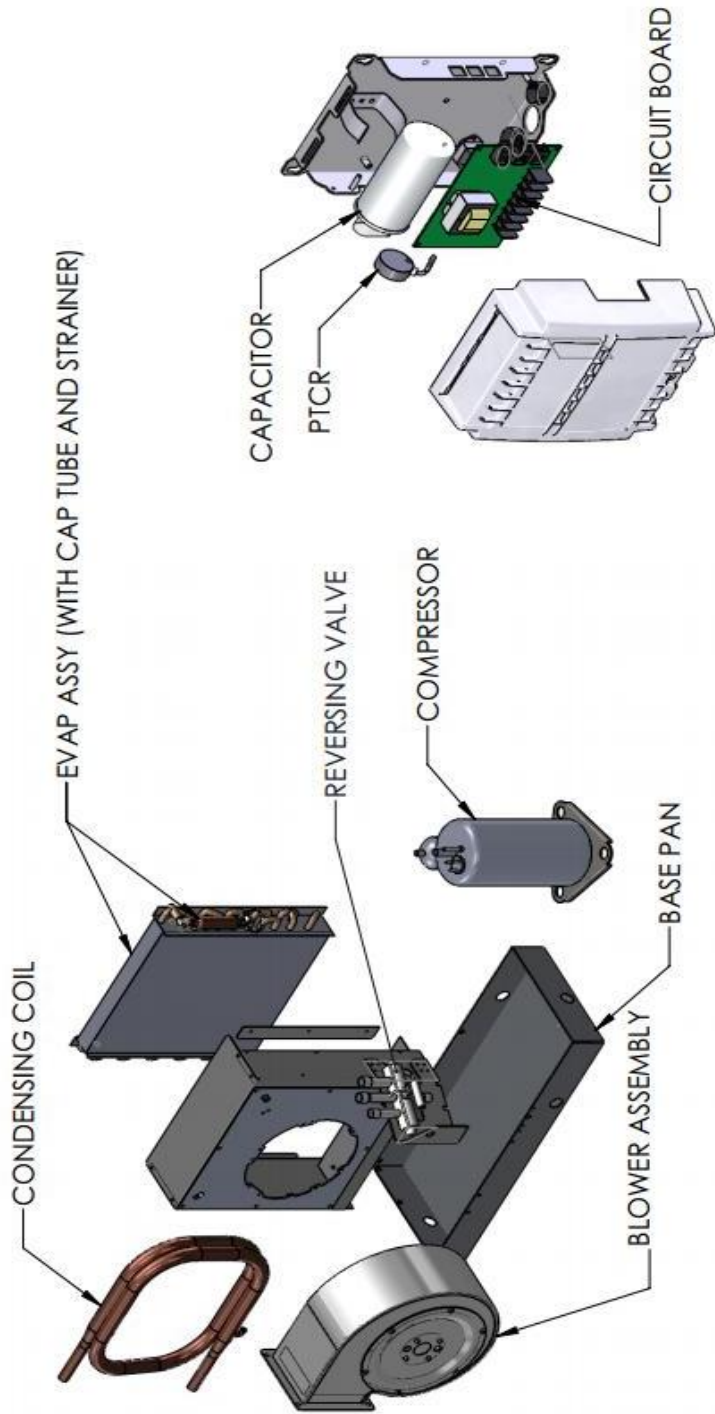
Compact R410A continued

Capacity	Voltage	Start Cap	Run Cap	PTCR Start Assist	Drain Pan	Strainer	Compressor	Pressure Switch
18000	115V	3100236.235	4040160	335055	239300027	N/A	Call P/N	4024214
18000	230V	330412	4040145	335055	239300027	N/A	239402017	4024214
18000	220V	330412	331475	335055	239300027	N/A	Call P/N	4024214
27000	230V	N/A	N/A	335055	298600001	331880	298001186	4024214
27000	220V	N/A	330855	335055	298600001	331880	Call P/N	4024214

Compact Units	Circuit Boards
DCU Units	223100502
VCD Units	223100500
SXUF Units	722300288
SQUF Units	701800004

DX REPLACEMENT PARTS ECD/ECM Replacement Parts Breakdown

PROPRIETARY NOTE: THE INFORMATION CONTAINED
HEREIN IS UNCLASSIFIED AND IS BEING RELEASED
HEREBY. IT IS THE PROPERTY OF DOMETIC
CORPORATION AND IS TO BE USED ONLY IN CONNECTION
WITH THE PRODUCT TO WHICH IT APPLIES. IT IS TO BE
DISTRIBUTED ONLY TO THE EXTENT PERMITTED BY
LAW. ANY REPRODUCTION OR DISTRIBUTION OF THIS
INFORMATION WITHOUT THE WRITTEN CONSENT OF DOMETIC
CORPORATION SHALL BE CONSIDERED UNLAWFUL AND
CAN BE CONTESTED IN A COURT OF LAW.



REV	DATE	REVISION DESCRIPTION	DWG	APR	TITLE:	DWG	REV
					DOMETIC		
					ECD/ECM UNITS		
					DATE: 09/18/2013 DWG BY: ADOLFO		
					SCALE:		
					APR BY:		
					PART NUMBER:	D1020008	
							01
							REV

ECD/ECM Replacement Parts Table

ECD/ECM 410A

Capacity	Voltage	Gas	Blower Assy	Blower Capacitor	Compressor Assy	Overload	Reversing Valve Assy	Solenoid Coil	Evap Assy
6K	115	410A	239400063	4040028	239402048	332849	239100078	4071503	239401019
10K	115	410A	239400065	4040029	239402049	4120047	239100079	4071503	Call P/N
16K	115	410A	239400067	4040032	239402055	4120046	239100079	4071503	Call P/N
6K	220	410A	239400094	337048	239402044	4120059	Call P/N	4071603	239401019
Capacity	Voltage	Gas	Condenser Coil	Hose Adapter	Pressure Switch	PC Board	Display Bezel	Display	Display Cable
6K	115	410A	332685	228700011	4024214	4220020	222000224	222000226	222103000
10K	115	410A	Call P/N	335883	4024214	4220020	222000224	222000226	222103000
16K	115	410A	335494	335883	4024214	4220020	222000224	222000226	222103000
6K	220	410A	332685	228700011	4024214	4220020	222000224	222000226	222103000

ECM Models use control P/N 222110102

ECD 417A

Capacity (BTU/HR)	Voltage	Gas	Blower Assy	Electric Box Assy	Compressor Assy	Evap Assy	Condenser Coil Assy	Drain Pan Assy	Reversing Valve Assy
5K	115	417A	239400063	293049285	239402020	239401019	332685	239300030	239100078
6.5K	115	417A	239400064	293049286	N/A	239401020	334555	239300031	239100078
9K	115	417A	239400065	293049287	Call P/N	239401021	335465	239300032	239100079
11K	115	417A	239400066	293049288	239402028	239401022	335465	239300032	239100079
15K	115	417A	239400067	293049289	239402061	239401023	335494	239300033	239100079

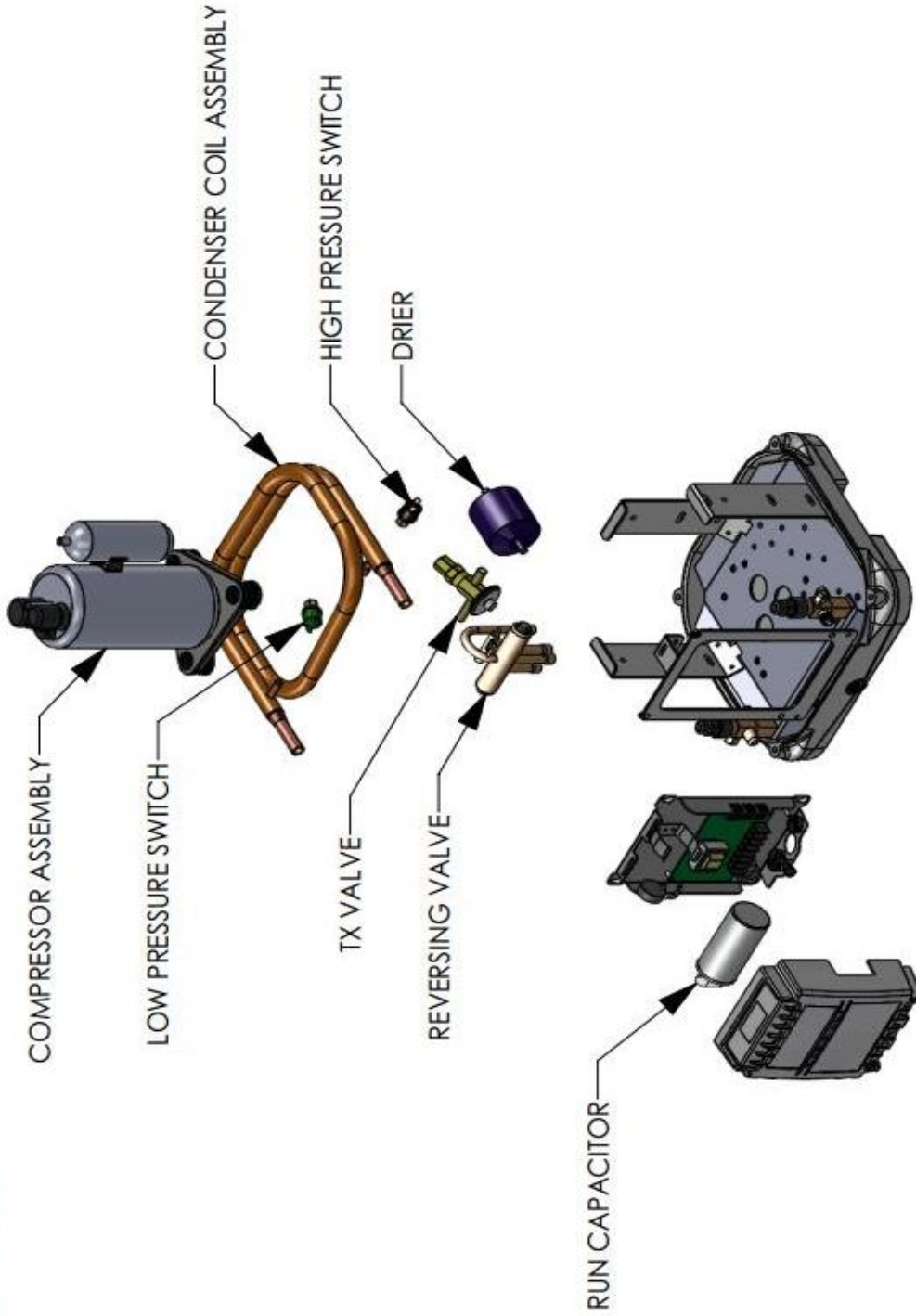
ECM 417A

Capacity	Voltage	Gas	Blower Assy	Electric Box Assy	Compressor Assy	Evap Assy	Condenser Coil Assy	Drain Pan Assy
5K	115	417A	239400063	293049290	239402020	239401019	332685	239300030
6.5K	115	417A	239400064	293049291	N/A	239401020	334555	239300031
9K	115	417A	239400065	293049292	Call P/N	239401021	335465	239300032
11K	115	417A	239400066	293049293	239402028	239401022	335465	239300032
15K	115	417A	239400067	293049294	239402061	239401023	335494	239300033

DX REPLACEMENT PARTS

Emerald Condenser 6-16K Parts Breakdown

PROPRIETARY NOTE: THE INFORMATION CONTAINED
 WITHIN THIS DOCUMENT IS THE PROPERTY OF DOMETIC
 CORPORATION. ANY ATTEMPT TO COPY OR DISTRIBUTE
 WITHOUT WRITTEN CONSENT FROM DOMETIC
 CORPORATION SHALL BE CONSIDERED UNLAWFUL AND
 CAN BE CONTESTED IN A COURT OF LAW.



REV	DATE	REVISION DESCRIPTION	DWG	APR
DOMETIC				
EMERALD 6-16 REPLACEMENT PARTS				
			DATE: 4/9/12	DWG BY: DRR
			SCALE: 1:8	APR BY: DA
			PART NUMBER: D2020000	REV

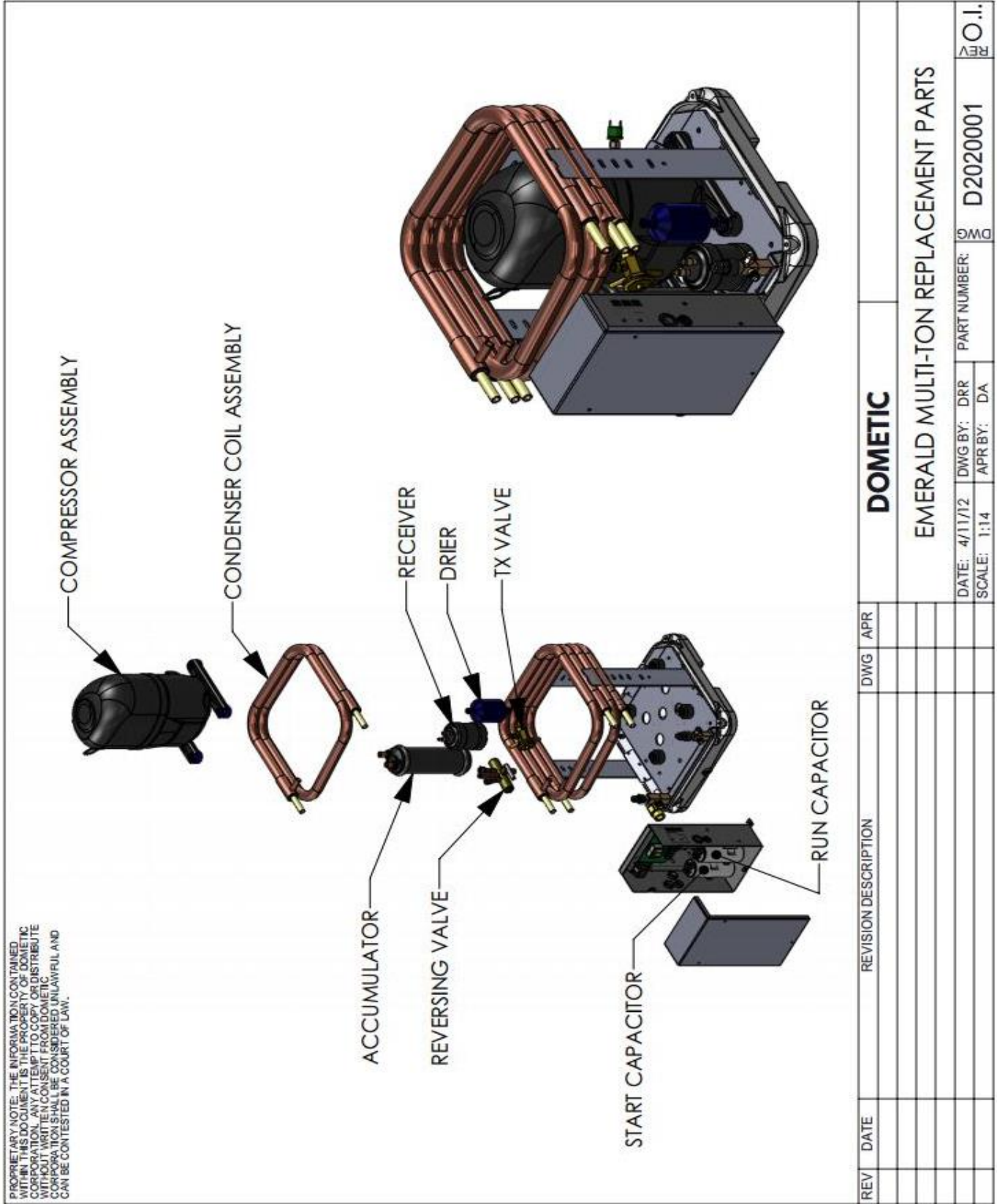
Emerald Replacement Parts 6K-16K

Emerald unit BTU' s and voltage	Comp. Assembly	Cond. Coil Assembly	Reversing Valve	Run Cap	Comp Overload	Base Valve Discharge	Base Valve Suction	Start Assist
6K 115V 60Hz	293013047	239401032	290339646	331475	332849	330410	337416	N/A
8K 115V 60Hz	293013048	239401032	290339646	331475	332849	330410	337416	N/A
10K 115V 60Hz	293013049	239401032	290339646	330855	4120047	330410	337416	N/A
12K 115V 60Hz	293013050	239401033	290339643	331475	4120062	330410	337416	N/A
16K 115V 60Hz	293013051	239401033	290339643	4040145	4120046	330410	337417	335055
6K 200-230V 50/60Hz	293013052	239401032	290339646	4040115	4120059	330410	337416	N/A
8K 230V 60Hz	293013053	239401032	290339646	4040115	4120059	330410	337416	N/A
10K 230V 60Hz	293013054	239401032	290339646	4040115	4120061	330410	337416	N/A
12K 230V 60Hz	293013055	239401033	290339643	338455	4120057	330410	337416	N/A
16K 230V 60Hz	293013056	239401033	290339643	4040130	4120022	330410	337417	335055
8K 220V 50Hz	Call P/N	Call P/N	290339646	Call P/N	Call P/N	330410	337416	N/A
10K 220V 50Hz	293013057	239401032	290339646	4040115	Call P/N	330410	337416	N/A
12K 220V 50Hz	293013058	239401033	290339643	333597	Call P/N	330410	337416	N/A
16K 220V 50Hz	293013059	239401033	290339643	333360	4120040	330410	337417	335055

Emerald Units All Sizes & Voltages	Drier	Low Pressure Switch I/O Control	Low Pressure Switch Mechanical Control	High Pressure Switch I/O Control	High Pressure Switch Mechanica I Control	TX Valve
6K-16k 115V- 220V-230V	3150409	4024219	4024217	4024214	4024218	3084704

DX REPLACEMENT PARTS

Emerald Condenser Multi-Ton Parts Breakdown



PROPRIETARY NOTE: THE INFORMATION CONTAINED HEREIN IS DOCUMENTED BY THE REGISTERED OFFICE OF DOMETIC CORPORATION. REPRODUCTION OR DISTRIBUTION OF THIS DOCUMENT WITHOUT WRITTEN CONSENT FROM DOMETIC CORPORATION IS UNLAWFUL AND CAN BE CONTESTED IN A COURT OF LAW.

Emerald Replacement Parts 24K-48K

Emerald unit BTU's and voltage	Comp. Assembly	Cond. Coil Assembly	Run Capacitor	Start Capacitor	TX Valve	Base Valve Discharge	Base Valve Suction
24K 230V 60Hz	293600504	239401040	331475	4040076	3080058	330416	298001261
30K 230V 60Hz	293600505	239401041	331475	4040076	3080058	330416	337693
36K 230V 60Hz	293600506	239401042	330855	335760	3080059	330416	337693
48K 230V 60Hz	293600507	239401043	331520	4040106	3080059	330416	337693
24K 220V 50Hz	293600508	239401040	331475	4040076	3080058	330416	298001261
30K 220V 50Hz	293600509	239401041	331523	332475	3080058	330416	337693
36K 220V 50Hz	293600510	239401042	331520	332475	3080059	330416	337693
48K 220V 50Hz	293600511	239401043	335802	4040076	3080059	330416	337693
			CONTACTOR 3 Phase				
24K 230V 60HZ 3PH	293600512	239401040	334398		3080058	330416	298001261
30K 230V 60HZ 3PH	293600513	239401041	N/A		3080058	330416	337693
36K 230V 60HZ 3PH	293600514	239401042	334398		3080059	330416	337693
48K 230V 60HZ 3PH	293600515	239401043	334398		3080059	330416	337693
24K 380V 50HZ 3PH	293600516	239401040	334398		3080058	330416	298001261
30K 380V 50HZ 3PH	293600517	239401041	N/A		3080058	330416	337693
36K 380V 50HZ 3PH	293600518	239401042	334398		3080059	330416	337693
48K 380V 50HZ 3PH	293600519	239401043	334398		3080059	330416	337693
24K 460V 60HZ 3PH	293600522	239401040	334398		3080058	330416	298001261
30K 460V 60HZ 3PH	293600523	239401041	N/A		3080058	330416	337693
36K 460V 60HZ 3PH	293600524	239401042	334398		3080059	330416	337693
48K 460V 60HZ 3PH	293600525	239401043	334398		3080059	330416	337693

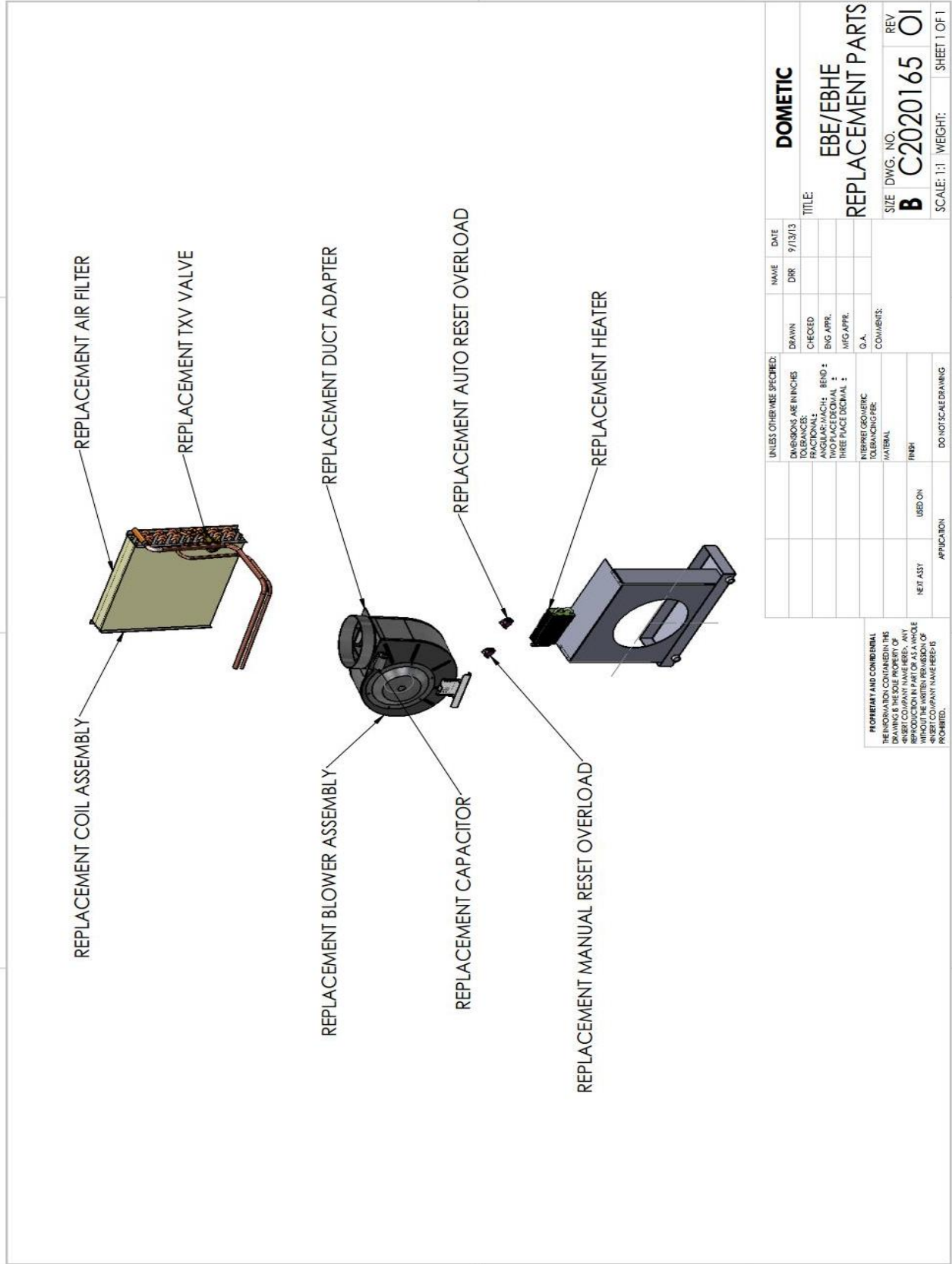
Emerald unit BTU's and voltage	Drier	Reversing Valve	Receiver	Accumulator	Start Relay
24K - 36K All Voltages	3150407	290339644	331170	333150	339860
48K All Voltages	3150407	290339645	3150401	3160401	339860

Emerald Units	Circuit Board
ED Units	223100500
EQ Units	701800004
DEU Units	223100502

TurboVap (TV/TVE) Evaporator Replacement Parts Table

TurboVap Unit BTU's and Voltage	Drain Pan w/Isolator Pads	List Price (USD)	Blower Assembly	List Price (USD)	Capacitor	List Price (USD)
4K 115V	239300038	\$75.00	239400052	\$240.00	2053101	\$22.00
6K 115V	239300038	\$75.00	239400052	\$240.00	2053101	\$22.00
8K 115V	239300038	\$75.00	239400054	\$275.00	330750	\$21.00
10-12K 115V	239300039	\$75.00	239400056	\$325.00	330669	\$23.00
14-16K 115V	239300040	\$75.00	239400058	\$370.00	330750	\$21.00
4K 230V	239300038	\$75.00	239400053	\$240.00	331103	\$18.00
6K 230V	239300038	\$75.00	239400053	\$240.00	331103	\$18.00
8K 230V	239300038	\$75.00	239400055	\$275.00	2052501	\$22.00
10-12K 230V	239300039	\$75.00	239400057	\$325.00	330670	\$21.00
14-16K 230V	239300040	\$75.00	239400059	\$370.00	4040045	\$22.00

DX REPLACEMENT PARTS EBE/EBHE Parts Breakdown



UNLESS OTHERWISE SPECIFIED:		NAME	DATE	DOMETIC	
DIMENSIONS ARE IN INCHES		DDR	9/13/13	TITLE:	
TOLERANCES:		DRAWN		EBE/EBHE	
FRACTIONAL:		CHECKED		REPLACEMENT PARTS	
ANGULAR: MACH: BEND :		ENG APPR.		SIZE DWG. NO.	
TWO PLACE DECIMAL :		MFG APPR.		B C2020165	
THREE PLACE DECIMAL :		G.A.		REV	
INTERPRET GEOMETRIC TOLERANCING PER:		COMMENTS:		OI	
MATERIAL:				SCALE: 1:1 WEIGHT:	
FINISH:				SHEET 1 OF 1	
NEET ASST	USED ON	APPLICATION			

PROPRIETARY AND CONFIDENTIAL
 THE INFORMATION CONTAINED IN THIS DRAWING IS THE SOLE PROPERTY OF DOMETIC. IT IS TO BE USED ONLY IN ACCORDANCE WITH THE SPECIFICATIONS IN PART OR AS A WHOLE WITHOUT THE WRITTEN PERMISSION OF DOMETIC. COMPANY NAME HERE- IS PROHIBITED.

EBE/EBHE Replacement Parts Table

EBE Capacity	Voltage	Coil Assembly	Blower Assembly	Heater	Capacitor	TXV	Duct Adapter	Auto Reset Overload	Manual Reset Overload
EBE EBHE	EBE EBHE	EBE EBHE	EBE EBHE	EBHE	EBE EBHE	EBE EBHE	EBE EBHE	EBHE	EBHE
6000	230V	Call P/N	Call P/N	4200700	331103	3084704	228700138	330924	4062800
8000	230V	239401036	Call P/N	4200700	2052501	3084704	335884	330924	4062800
10000	230V	239401037	Call P/N	4200800	330670	3084704	335883	330924	4062800
12000	230V	Call P/N	23940010	4200900	330670	3084704	335883	330924	4062800
16000	230V	Call P/N	Call P/N	4200901	4040045	3084704	335882	330924	4062800
18000	230V	Call P/N	715212424	n/a	2053101	3080058	n/a	n/a	n/a
24000	230V	239401053	715212423	4200801 (X2)	4040058	3080058	n/a	330924	4062800
30000	230V	Call P/N	239400092	4200801 (X2)	4040058	3080058	291604194	330924	4062800
36000	230V	239401054	715212427	n/a	n/a	3080059	291604194	n/a	n/a

Note: 24/30K units use (2) 4200801 heaters

EBDE Replacement Parts Table

EBDE Capacity	Voltage	Air Filter	Blower Motor	EBDE Capacitor	TXV	Blower Housing Wheel
30000	230V	2030210	290000018	4040058	3080058	N/A
36000	230V	2030210	4032415	4041005	3080059	2053405
48000	230V	2030210 (2x)	4032415	4041005	3080059	2053410
72000	230V	2030210 (2x)	4032423	4040115	3080060	2053430
36000	220V	2030210	4032422	4041007	3080059	2053405
48000	220V	2030210 (2x)	4032422	4041007	3080059	2053410
60000	220V	2030210 (2x)	4032421	4041007	3080060	2053430
72000	220V	2030210 (2x)	4032421	4041007	3080060	2053430

Flex Duct Evaporator Parts Table

Evaporator Capacity	Voltage	Blower without Mount Ring	Blower with Mount Ring	Coil Assembly Evaps built thru 2002-03	Coil Assembly Evaps built starting 2003	Strainer with Cap
E4FD	115V	N/A	N/A	332062	332062	335466
E6FD	115V	293042210	239400017	333278	333278	332343
E9FD	115V	293042213	239400039 5"MR 239400040 6"MR	333279	293044256	298001764
E12FD	115V	293042218	N/A	333281	N/A	332341
E12FD/1	115V	293042215	N/A	N/A	N/A	332341
E16FD	115V	291617060	239400019	N/A	N/A	332200
E4FDZ	230V	N/A	N/A	332062	332062	335466
E6FDZ	230V	293042212	N/A	333278	333278	332343
E9FDZ	230V	293042214	N/A	333279	293044256	298001764
E12FDZ	230V	293042216	N/A	333281	N/A	332341
E12FDZ/1	230V	293042217	239400045	N/A	N/A	332341
E16FDZ	230V	291617061	239400042	330028	330028	332200

CSD/CSM Replacement Parts Table

CSD/CSM Capacity	Voltage	Compressor	Cond. Coil	Start Cap	Run Cap	Relay	Base Valves	Drain Pan Assembly
6000	115V	293013032	369627	330412	4040115	290339860	330410 (1/4) 330416 (3/8)	291603723
9000	115V	293013034	369627	330412	331475	290339860	330410 (1/4) 330416 (3/8)	291603723
12000	115V	293013036	331235	4040543	333360	290339860	330410 (1/4) 330416 (3/8)	291603723
16000	115V	293013038	331235	330559	331475	290339860	330410 (1/4) 330417 (1/2)	291603723
6000	220V	293013032	369627	330412	4040115	290339860	330410 (1/4) 330416 (3/8)	291603723
9000	220V	Call P/N	369627	330412	4040115	290339860	330410 (1/4) 330416 (3/8)	291603723
12000	220V	293013036	331235	330412	333597	290339860	330410 (1/4) 330416 (3/8)	291603723
16000	220V	293045012	331235	330559	333360	290339860	330410 (1/4) 330417 (1/2)	291603723
6000	230V	293013031	369627	330412	4040115	290339860	330410 (1/4) 330416 (3/8)	291603723
9000	230V	293013033	369627	330412	4040115	290339860	330410 (1/4) 330416 (3/8)	291603723
12000	230V	293013035	331235	330412	333597	290339860	330410 (1/4) 330416 (3/8)	291603723
16000	230V	293013037	331235	330559	333360	290339860	330410 (1/4) 330417 (1/2)	291603723
24000	230V	293045638	298001293	4040075	4040130	4128010	330416 (3/8) 330694 (5/8)	291602794

CSD/CSM Capacity	Voltage	Circuit Board	Display Cable
All Sizes	All Voltages	223100502	222103020

Stowaway S-F and Zephyr ZF Self Contained Parts

Stowaway V Replacement Parts - Recip. Compressors

Model	Size (Btu/hr)	Capacitors		Start Relay	Rev. Valve	RV Solenoid	Repl. Cond	Repl. Comp	Comp. Overload
		Run	Start						
115V									
SH,SX7	7000	4040115	330412	290339860	701820245	4071501	R3600-S7	293045657	331406
SH,SX10	10000	333360	330412	290339860	701820242	4071502	R3600-S10	293045668	048900
SH,SX12	12000	333360	4040543	290339860	701820242	4071502	R3600-S12	293045656	049000
SH,SX16	16000	331475	4040543	290339860	701820242	4071502	R3600-S16	293045644	331404
230V									
SH,SX7C	7000	4040115	330412	290339860	701820245	4071601	R3600-S7	293045661	N/A
SH,SX10C	10000	4040115	330412	290339860	701820242	4071602	R3600-S10	293045669	049200
SH,SX12C	12000	4040115	4040543	290339860	701820242	4071602	R3600-S12	293045665	049300
SH,SX16C	16000	338455	4040543	290339860	701820242	4071602	R3600-S16	293045645	331405
SH,SX24C	24000	4040130	330559	290339860	701820244	4071602	N/A	293045703	Internal
SH,SX24C3*	24000	333360	4040206	290339860	701820244	4071602	N/A	293045703	Internal
220-240V 50Hz									
SH,SX7CK	7000	4040115	330412	290339860	701820245	4071601	R3600-S7	N/A	046500
SH,SX10CK	10000	4040115	330412	290339860	701820242	4071602	R3600-S10	N/A	046600
SH,SX12CK	12000	4040115	4040543	290339860	701820242	4071602	R3600-S12	293045670	046700
SH,SX16CK	16000	333360	4040543	290339860	701820242	4071602	R3600-S16	N/A	N/A
SH,SX24CK	24000	331475	330559	290339860	701820244	4071602	N/A	293045703	Internal
SH,SX24CK3*	24000	331475	4040206	290339860	701820244	4071602	N/A	293045703	Internal

Note: Model numbers ending in "3" use H23 compressors. Replacement compressors ending in "3" include both capacitors and the start relay.

Stowaway V Replacement Parts - Rotary Compressors

Model	Size (Btu/hr)	Capacitors		Start Relay	Rev. Valve	RV Solenoid	Repl. Cond	Repl. Comp	Comp. Overload
		Run	Start						
115V									
SHR, SXR7	7000	4040115	330559	290339860	701820245	4071501	R3600-S7	N/A	332849
SHR, SXR10	10000	4040130	330559	290339860	701820242	4071502	R3600-S10	293045651	332852
SHR, SXR12	12000	4040130	330559	290339860	701820242	4071502	R3600-S12	293045655	332855
SHR, SXR16	16000	4040130	330559	290339860	701820242	4071502	R3600-S16	293045642	332858
230V									
SHR, SXR7C	7000	4040140	330559	290339860	701820245	4071601	R3600-S7	293045660	332851
SHR, SXR10C	10000	4040130	330559	290339860	701820242	4071602	R3600-S10	293045659	046807
SHR, SXR12C	12000	4040130	330559	Call PN	701820242	4071602	R3600-S12	293045672	046801
SHR, SXR16C	16000	4040130	330559	Call PN	701820242	4071602	R3600-S16	293045652	046801
220-240V 50Hz									
SHR, SXR7CK	7000	4040115	-	-	701820245	4071601	R3600-S7	N/A	N/A
SHR, SXR10CK	10000	4040130	330559	4127500	701820242	4071602	R3600-S10	N/A	046808
SHR, SXR12CK	12000	4040130	330559	4127500	701820242	4071602	R3600-S12	N/A	046805
SHR, SXR16CK	16000	4040130	330559	4127500	701820242	4071602	R3600-S16	293045673	046801

Note: Newer SXR SMXII rotary units use a PTCR start assist (# 335055) instead of a start capacitor and start relay, except for 7k models which have no start assist device. The customer will need to know whether or not their unit has either the Start Cap & Relay or the PTCR.

Notes:

1. High pressure switch for SH and SHR units: 297000050 (line duty)
2. High pressure switch for SX and SXR units: 297000048
3. Low pressure switch for SX and SXR units: 297000047

Reversing Valves & Solenoid Coils: See "Replacement Reversing Valves" section of this book and Field Notice #FNR233-14 before ordering RV's or Coils. When ordering a new RV an old unit, you must also order a new coil and vice versa.

CHECK PRICING AND AVAILABILITY BEFORE PLACING AN ORDER.

Stowaway SXF, SHF and Zephyr ZF Replacement Parts Table

Stowaway SHF/SXF

MODEL SXF/SHF (BTU/HR)	Blower Assy	Compressor Assy	Evap Coil	Evap Coil Assy	Condenser Coil Assy	Strainer with Cap Tube	Overloads
115V							
5	240110095	239402000	332062	239401019	N/A	335466	N/A
7	293042076	N/A	333278	293044121	293044033	332343	332849
7/2	293042076	N/A	333278	293044121	293044033	332343	4120008
10	293042080	293045613	333279	293047009	293044034	298001764	332852
10-1	293042080	293045623	293044256	293044256	293044034	298001764	335571
12	293042080	293045051	333281	293044123	293044035	332341	332855
12-1	293042080	293045179	335476	293044257	293044035	332341	335574
12/2	293042080	N/A	335476	293044257	293044035	332341	4120007
16	293042031	293045053	333281	293044124	293044036	332340	332858
16/2	293042031	239402063	N/A	N/A	293044036	332340	4120027
230V							
7C	239400014	N/A	333278	293044121	293044033	332343	332850
10C	293042081	293045614	333279	293047009	293044034	298001764	Call P/N
10C-1	293042081	239402008	293044256	293044256	293044034	298001764	Call P/N
10C/2	293042081	239402008	293044256	293044256	293044034	298001764	4120010
12C	293042081	293045051	333281	293044123	293044035	332341	Call P/N
12C-1	293042081	Call P/N	335476	293044257	293044035	332341	335573
12C/2	293042081	239402011	335476	293044257	293044035	332341	4120007
16C	293042049	293045054	333281	293044124	293044036	332340	332859
16C/2	293042049	239402058	N/A	N/A	293044036	332340	4120027
220V							
7CK	239400014	293045140	333278	293044121	293044033	332343	
10CK-1	293042081	Call P/N	293044256	293044256	293044034	298001764	335573
12CK	293042081	N/A	335476	293044257	293044035	332341	335575
16CK	293042049	293045112	N/A	N/A	293044036	332340	332860

Notes:

1. When replacing compressor, add run capacitor 331475 and molded plug harness 334800 for units manufactured through 1998.
2. When replacing compressor, add molded plug harness 334800 for units manufactured between June 1198 and December 2000.
3. For units manufactured after December 2000, only painted compressor is required.

Zephyr ZF

MODEL ZF (BTU/HR)	Units Built	Voltage	Compressor
10	Thru Feb.'03	115V	3014010
10-1	From Mar.'03	115V	335495
12	Thru Feb.'03	115V	331258
12-1	From Mar.'03	115V	3014512
16	Thru Feb.'03	115V	3014016
10C	Thru Feb.'03	230V	3014110
12C	Thru Feb.'03	230V	3014112

" R " Type Condenser Replacement Parts

" R " Type Remote Condensing Unit (5-16K) Replacement Parts								
	Repl	Run Capacitor		Start Capacitor		Comp	Repl	RV
Model	Comp	p/n	mfd/volts	p/n	mfd/volts	Overload	RV	Coils
R5	N/A	4040115	15/400V	330412	21-25/330V	049600	701820245	4071501
R7	293045650	4040115	15/400V	330412	21-25/330V	331406	701820245	4071501
R10	293045658	333360	25/370V	330412	21-25/330V	048900	701820243	4071502
R12	293045647	333360	25/370V	4040543	43-53/330V	049000	701820243	4071502
R16	293045640	331475	35/370V	4040543	43-53/330V	331404	701820243	4071502
R7C	293045641	4040115	15/400V	330412	21-25/330V	N/A	701820245	4071601
R10C	293045648	4040115	15/400V	330412	21-25/330V	049200	701820243	4071602
R12C	293045646	4040115	15/400V	4040543	43-53/330V	049300	701820243	4071602
R16C	293045643	333597	20/370V	4040543	43-53/330V	331405	701820243	4071602
R7CK	293045671	4040115	15/400V	330412	21-25/330V	046500	701820245	4071601
R10CK	N/A	4040115	15/400V	330412	21-25/330V	046600	701820243	4071602
R12CK	293045684	4040115	15/400V	4040543	43-53/330V	046700	701820243	4071602
R16CK	293045680	333360	25/370V	4040543	43-53/330V	N/A	701820243	4071602

Start Relays: All R5-16 models (115V & 230V) may use the Universal replacement Start Relay (290339860)

" R " Type Remote Condensing Unit (20-48K) Replacement Parts								
	Repl	RV	Cond	Run Capacitor		Start Capacitor		Start Relay
Model	Comp	Assembly	Assy	p/n	mfd/volts	p/n	mfd/volts	p/n
R20C	293045686	701820240	N/A	4040130	30/370V	332475	161-193/250V	290339860
R24C	293045703	701820240	3062024	4040130	30/370V	4040075	145-175/250V	290339860
R30C	293045664	701830360	293045682	331475	35/370V	4040075	145-175/250V	290339860
R36C	293045675	701830360	N/A	330855	40/370V	4040075	145-175/250V	290339860
R48C	298001563	701820246	701842482	4040155	55/370V	4040206	88-108/330V	290339860
R20CK	298001543	701820240	N/A	331475	35/370V	4040075	145-175/250V	298001216
R24CK	N/A	701820240	3062024	331475	35/370V	4040075	145-175/250V	298600007
R30CK	293045667	701830360	293045682	330855	40/370V	4040075	145-175/250V	298001157
R36CK	3018836*	701830360	N/A	330855	40/370V	4040075	145-175/250V	298001216
R48CK	3015342*	701820246	701842482	4040160	60/370V	331733	270-324/330V	298001141
R24D(C)	3015120*	701820240	3062024					
R30D(C)	N/A	701830360	293045682					
R36D(C)	293045215	701830360	N/A					
R48D(C)	293045683	701820246	701842482					
R24E(C)	N/A	701820240	3062024					
R30E(C)	3000128*	701830360	293045682					
R36E(C)	3019131*	701830360	N/A					
R48E(C)	3015242*	701820246	701842482					
R20ECK	N/A	701820240	N/A					
R24ECK	336063	701820240	3062024					
R30ECK	3019131*	701830360	293045682					
R36ECK	3019137*	701830360	N/A					
R48ECK	3015249*	701820246	701842482					

*Raw Compressor Part Number

Start Relays: All R5-16 models (115V & 230V) may use the Universal Replacement Start Relay (290339860)

Contactors 3 Phase Compressors Only		
115V Coil	4130830	All D & E models w/115V control
230V coil	4130630	All DC & EC models w/230V control

Condenser Seawater Manifolds		
R30	720243000	water in
R30	720243001	water out
R36	720303600	in/out (order qty 2)
R48	720424800	in/out (order qty 2)

Base Valves		
3080106	Base Valve	3/8
3080204	Base Valve	1/4
3080808	Base Valve	1/2
3081206	Base Valve	3/8 with Purge Port
330642	Cap Access (Cap Only)	
3121301	Cap Valox Base Valve Stem	

Modulating Condenser Replacement Parts

"RM" Type Remote Modulating Condensing Unit Replacement Parts

Model	Repl	Cond	Run Capacitor		Start Capacitor		Start Relay
	Comp	Assy	p/n	mfd/volts	p/n	mfd/volts	p/n
RM24C	293045207	293045682	330855	40/370	4040206	88-106 330V	290339860
RM30C	298001553	N/A	331475	35/440	4040206	88-106 330V	290339860
RM42C	298001563	701842482	4040155	55/370	4040206	88-106 330V	290339860
RM24CK	298001305	293045682	4040145	45/370	4040206	88-106 330V	290339860
RM30CK	298001305	N/A	333026	50/370	4040206	88-106 330V	290339860
RM42CK	N/A	701842482	4040160	60/370	331733	270-324/330	Call PN
RM24D(C)	298001360	293045682					
RM30D(C)	293045237	N/A					
RM42D(C)	293045683	701842482					

Contactors for 3 Phase Compressors only			
120V Coil	4130830	All D & E models with 120V control	
230V Coil	4130630	All DC & EC models with 230V control	
Condenser Seawater Manifolds			
RM24	720243000	water in	
RM24	720243001	water out	
RM30	720303600	in/out (order qty 2)	
RM42	720424800	in/out (order qty 2)	
RM Control Parts			
All RM Units		290000020	Resistor 7.5K OHM 10W
All RM Units		4135502	Time Delay 18-240V
All RM Units		290339711	Relay PC Board A-550
All RM Units		TR230	Relay Trigger 230V
RM24C - RM42C		4134200	Relay Solid State 75 amp

DX Replacement Parts Index

Part #	List Price (USD)	Description
333150	\$165.00	Accumulator (used on all CS24K - CS36K & Emeralds 24-36K)
3160401	\$140.00	Accumulator (used on all CS48K - CS60K & Emeralds 48-72K)
331322	\$44.00	Accumulator (used on all CS6-16K and KRA425C, KRA450C)
290000018	\$410.00	Blower 24-36K 230V50/60 830CFM
205463391	\$440.00	Blower DTU8-VTD8 without condenser
205463591	\$440.00	Blower DTU-VTD12U without condenser
293042210	\$630.00	Blower E6FD-HV 115V INS w/Capacitor
293042212	\$630.00	Blower E6FDZ-HV 230V INS w/Capacitor
239400046	\$630.00	Blower E6FDZ-HV 230V with 5"MR & Capacitor
239400039	\$675.00	Blower E9FD-HV 115V with 5"MR & Capacitor
293042213	\$675.00	Blower E9FDZ-HV 230V INS w/Capacitor
293042214	\$675.00	Blower E9FDZ-HV 230V INS w/Capacitor
293042215	\$755.00	Blower E12FD/1-HV 115V INS w/Capacitor
293042218	\$755.00	Blower E12FD-HV 115V INS w/Capacitor
293042217	\$755.00	Blower E12FDZ/1-HV 230V INS w/Capacitor
293042216	\$755.00	Blower E12FDZ-HV 230V INS w/Capacitor
239400045	\$700.00	Blower E12KZ/1HV, w/6" mount ring 230V
291617060	\$775.00	Blower E16FD-HV 115V INS w/Capacitor
291617061	\$775.00	Blower E16FDZ-HV 230V INS w/Capacitor
239400042	\$775.00	Blower E16FDZ-HV, w/7" mount ring 230V - works on both 16K and 16K/1 units
2053405	\$195.00	Blower EBD/E30-36K Wheel/Housing
2053410	\$340.00	Blower EBD48 Wheel/Housing
715212428	\$860.00	Blower EBDE36-230V w/cap
715212430	\$1,115.00	Blower EBDE48-220V w/cap
715212429	\$1,115.00	Blower EBDE72-220V w/cap
715212424	\$765.00	Blower EBE18-230V w/cap
715212423	\$760.00	Blower EBE24-230V w/cap
239400092	\$935.00	Blower EBE30-230V 10"MR
239400063	\$240.00	Blower ECD/ECM 5K-HV, 115V
239400064	Call for Pricing	Blower ECD/ECM 6.5K-HV, 115V
239400065	\$310.00	Blower ECD/ECM 9K-HV, 115V
239400066	Call for Pricing	Blower ECD/ECM 11K-HV, 115V
239400067	\$345.00	Blower ECD/ECM 15K-HV, 115V
207500111	\$585.00	Blower ECD10K 115V order with condenser (205500110)
207500113	\$585.00	Blower ECD10K 230V order with condenser (205500112)
207500107	\$520.00	Blower ECD6K 115V order with condenser (205500106)
715212412	\$675.00	Blower FA3-6 115V
715212407	\$675.00	Blower FA3-6C 230V
715212414	\$675.00	Blower FA7.5 & 9 115V
715212410	\$675.00	Blower FA7.5 & 9C 230V
715212413	\$725.00	Blower FA12 115V
715212408	\$725.00	Blower FA12C 230V
715212409	\$765.00	Blower FA15/18 115V
715212406	\$765.00	Blower FA15/18C 230V
2053430	\$505.00	Blower FPV60 50HZ Wheel/Housing

DX Replacement Parts Index

Part #	List Price (USD)	Description
239400051	\$595.00	Blower HSA16KCZ Painted with cap
715210504	\$670.00	Blower REU4/5C 230V HIEFF
715212416	\$640.00	Blower REU4/5K 115V PLSTC HV
715212400	\$855.00	Blower RE/REU24C HI EFF 230V
725210514	\$1,710.00	Blower RE30/36 230V
264400309	\$370.00	Blower TVE10 230V
264400310	\$370.00	Blower TVE12 230V
240110095	\$630.00	Blower VC5 115V High Velocity w/Capacitor
293042076	\$655.00	Blower VC7 115V High Velocity w/Capacitor
239400014	\$635.00	Blower VC7Z 230V High Velocity w/Capacitor
293042080	\$700.00	Blower VC10-12 115V High Velocity w/Capacitor
293042081	\$700.00	Blower VC10Z-12Z 230V High Velocity w/Capacitor
293042031	\$825.00	Blower VC16 115V High Velocity w/Capacitor
293042049	\$825.00	Blower VC16Z 230V High Velocity w/Capacitor
239400027	\$765.00	Blower VC18K-HV, 115V High Velocity w/Capacitor
239400047	\$765.00	Blower VC18KZ-HV, 230V High Velocity w/Capacitor
293042209	\$605.00	Blower VCD5K 115V F to HV
293042221	\$1,255.00	Blower VCD24 FZ to HVZ
239400052	\$240.00	Blower VT 6K 115V
239400053	\$240.00	Blower VT 6K 220/230V
239400054	\$275.00	Blower VT 8K 115V
239400055	\$275.00	Blower VT 8K 220V/230V
239400077	\$265.00	Blower VT 8K 230V no ring, no cap
239400056	\$325.00	Blower VT 10-12K 115V
239400057	\$325.00	Blower VT 10-12K 220/230
239400079	\$300.00	Blower VT 10-12K 220/231 no ring, no cap
239400058	\$370.00	Blower VT 14-16K 115V
239400059	\$370.00	Blower VT 14-16K 220/230
223100500	\$410.00	Board, Module Retro Passport I/O to Unity
701800004	\$265.00	Board, Q-Logic Control
263400647	\$100.00	Board, Relay Retrofit Kit D-Relay A-284 40A 115/230V
263400645	\$100.00	Board, Relay Retrofit Kit Q/SMX w/Hardware
223100502	\$325.00	Board, U-Control DX
223100503	\$630.00	Board, U-Control DX Network with Canbus *Replacements only
763100061	\$500.00	Canbus adapter kit Q-Logic, DX & TW (does not include Q-Logic board)
222104002	\$1,100.00	Canbus to RS232 Serial Adapter Kit
331103	\$18.00	Capacitor 2MFD WIRE W/8MM STUD 425- TV/EBE/EBHE4-6K 230V
330670	\$21.00	Capacitor 3MFD WIRE W/8MM STUD 425- TV10-12K 230V, HSA16UKC, PHD12HVZ, EBHE12,
2052501	\$22.00	Capacitor 4MFD WIRE W/8MM STUD 400V TV/RE/REU7-8K 230V, EBE/EBHE 6K 230V
4040045	\$22.00	Capacitor 5MFD WIRE W/8MM STUD&NUT TV14-16K 230V, EBE/EBHE14-16K 230V
2053101	\$22.00	Capacitor 6MFD/400V TV4-6K 115V, EBE/EBHE/VCD 18K 220/230V
4040058	\$24.00	Capacitor 8MFD WIRE W/8MM STUD RE/REU4-5K 115V RE/REU24K 230V, EBE/EBHE18-30K, VCD27K
330669	\$23.00	Capacitor 10MFD WIRE W/8MM STUD 250 TV10-12 RE/REU10,12 RE/REU30C, HSA16
2052701	\$23.00	Capacitor 16MF RE/REU7, 8, 12 115V

DX Replacement Parts Index

Part #	List Price (USD)	Description
330750	\$21.00	Capacitor 16MFD WIRE W/8MM STUD 250 TV8K 14K & 16K 115V
331027	\$24.00	Capacitor 20MFD WIRE W/8MM STUD 250 RE/REU16 115V, VCD18K 115V
337048	\$27.00	Capacitor DUAL 15MFD/2MFD 440V R410A 2.56" TURBO/ECD 6K 220/230V
338293	\$9.18	Capacitor DUAL 15MFD/3MFD 440V R410A Turbos 10K 230V & 220V
4040040	\$26.00	Capacitor DUAL 15MFD/4MFD 440V R410A TURBO 8K 230V & 220V
4040034	\$25.00	Capacitor DUAL 20MFD/2MFD 370V R417A TURBO 6K 220V
4040041	\$26.00	Capacitor DUAL 20MFD/3MFD 440V R410A TURBO 10-12K 220V/230V & R417A 12K 220V
4040035	\$27.00	Capacitor DUAL 25MFD/3MFD 370V R417A TURBO 10K 220V
4040044	\$25.00	Capacitor DUAL 25MFD/5MFD 370V R410A & R417A TURBO 16K 220V
4040031	\$25.00	Capacitor DUAL 30MFD/15MFD 370V TURBO 8, 115V
4040039	\$30.00	Capacitor DUAL 30MFD/16MFD 370V R417A TURBO 16K 115V
4040037	\$27.00	Capacitor DUAL 30MFD/3MFD 370V R417A TURBO 12K 115V
4040038	\$30.00	Capacitor DUAL 30MFD/4MFD 370V R417A TURBO 14-16, 230V 60 Hz
4040043	\$25.00	Capacitor DUAL 30MFD/5MFD 370V R410A & R417A TURBO 16K 230V
4040052	\$34.00	Capacitor DUAL 35MFD/10MFD 370V R410A TURBO 12K 115V
4040042	\$31.00	Capacitor DUAL 35MFD/16MFD 250V R410A & R417A TURBO 8K 115V
4040028	\$26.00	Capacitor DUAL 35MFD/6MFD 240V R410A & R417A TURBO/ECD(M) 6K 115V
4040029	\$27.00	Capacitor DUAL 40MFD/10MFD 240V R410A Turbo 10K & R417A Turbo 10-12K 115V
337047	\$31.00	Capacitor DUAL 45MFD/16MFD 370V R410A TURBO/ECD(M) 16K 115V
334867	\$41.00	Capacitor Hard Start with Relay
4040115	\$18.00	Capacitor RUN 15MFD 400/440V SH/SX7, 7C, 10C, 12C, CSD(M)6-9K, EBDE72K
333597	\$20.00	Capacitor RUN 20MFD/370V ED(M,Q)12K, R(X,Q)16C, SX16C, CSD(M) 12K 230V, ECD3.5
333360	\$19.00	Capacitor RUN 25MFD/370V CSD(M)16K 220V, ED/EM16K 220V, R/SH/SX10-12 115V, SH/SX/R16CK 220V, Eskimo Ice
4040130	\$19.00	Capacitor RUN 30MFD/370V EM16K 230V, SH/SX24C, SHR/SXR10-16 all voltages, R20-24C
331475	\$20.00	Capacitor RUN 35MFD/370V CSD(M)6-8K, ED(M)6,8,12 115V/EM24-30K 230V/EM24 220V /R16/R30C/R20-24CK
4041004	\$32.00	Capacitor RUN 4 MF 370V EBS16, EBS16C
330855	\$23.00	Capacitor RUN 40MFD/370VAC Emeralds 10K 115V & 36K 230V, SHR/SXR7-12, VCD27, SQUF27, CHCG20, R(N,Q,X) 30-36k, RM24K
4040145	\$25.00	Capacitor RUN 45MFD 370VAC 60HZ ED(M)16K, RM24CK, VCD18K 220/230V
331523	\$33.00	Capacitor RUN 45MFD/440V EM30 220V
4040305	\$21.00	Capacitor RUN 5.0MFS/370V EBDE36K-48K 230V
333026	\$26.00	Capacitor RUN 50MFD/370V RM30 220V, TWLC, CWMC
4040155	\$31.00	Capacitor RUN 55MFD/370V R48C, RM42C, FM42CK
4040160	\$35.00	Capacitor RUN 60 MFD 370VAC R(N,Q)48CK, CHCG24
335802	\$36.00	Capacitor RUN 60MFD/440V EM48 220V
4041007	\$18.00	Capacitor RUN 7.5 MF 370V EBDE36K-72K 220V
334145	\$39.00	Capacitor RUN 80MFD/370V EQ72, TWC48 & 60, MCG60
4040185	\$75.00	Capacitor RUN 80MFD/440V RX,RQ 48, CWMC
4040076	\$65.00	Capacitor START 145-175/330V W/O BR EM24K / EM30K 230V / EM48K 220V
4040075	\$39.00	Capacitor START 145-175UF@250V W/BLE SH(N)24, R(X,N,Q) 20-36K
332475	\$90.00	Capacitor START 161-193/250 V R(X,N) 20K 417A
332475	\$90.00	Capacitor START 161-193/330V W/BR EM30/36 220V
335760	\$70.00	Capacitor START 189-227/250V EM36 230V

DX Replacement Parts Index

Part #	List Price (USD)	Description
330412	\$21.00	Capacitor START 21-25MFD/330V SH & SX7, 10, R/RX/RN,RQ 5,7,10, SQUF30, VECU18
331733	\$75.00	Capacitor START 270-324/330V W/BR RM42CK / R48CK
298001296	\$35.00	Capacitor START 43-53 MFD 220V
4040543	\$24.00	Capacitor START 43-53 MFD. 330 VAC 60 (UL) CSD/CSM/SH/SX12C
330559	\$35.00	Capacitor START 72-88MFD/330V W/BR all Stowaway V Rotary Compressors
4040206	\$34.00	Capacitor START 88-106 MR W/15 OHM SH/SX24C3 / SHSX24CK3 / R48C / RM24-30
4040106	\$80.00	Capacitor START 88-108/330V W/O BR EM48 230V
4040070	\$110.00	Capacitor START High Torque FX48, MTC(S) 48K & 60K
3100236.235	\$7.07	Capacitor START VCD18K
331235	\$450.00	Coil, Cond CS12/16
369627	\$335.00	Coil, Cond CS6/9
298001293	Call for Pricing	Coil, Cond CSD24RZ/1 Painted
335494	\$390.00	Coil, Cond ECD/ECM 15K-HV, 115V
332685	\$265.00	Coil, Cond ECD/ECM 5K-HV, 115V
334555	\$295.00	Coil, Cond ECD/ECM 6.5K-HV, 115V
335465	\$355.00	Coil, Cond ECD/ECM 9-11K-HV, 115V
239401032	\$310.00	Coil, Cond EM6-10K
239401033	\$440.00	Coil, Cond EM12-16K
239401040	\$630.00	Coil, Cond EM24K
239401041	\$975.00	Coil, Cond EM30K
239401042	\$1,330.00	Coil, Cond EM36K
239401043	\$1,410.00	Coil, Cond EM48K
239401015	\$350.00	Coil, Cond ST/ST6-8 W/EXT
239401016	\$390.00	Coil, Cond ST/ST10-12 W/EX
239401017	\$420.00	Coil, Cond ST/ST14-16 W/EX
R3600-S10	\$650.00	Coil, Cond Stowaway replacement SH/SX10
R3600-S7	\$510.00	Coil, Cond Stowaway replacement SH/SX7
293044246	\$380.00	Coil, Cond VC16K/1 w/90 degree elbows (From 3/03)
293044034	\$360.00	Coil, Cond w/90 degree elbows SF10K (Prior to 3/03)
293044035	\$410.00	Coil, Cond w/90 degree elbows SF12K (Prior to 3/03)
293044036	\$410.00	Coil, Cond w/90 degree elbows SF16K (Prior to 3/03)
293044033	\$345.00	Coil, Cond w/90 degree elbows SF7K
333344	\$640.00	Coil, Cond, 24M VC24
335898	\$570.00	Coil, Evap 18M BTU SVCD18K 12X12
333279	\$375.00	Coil, Evap E9FD (order strainer/cap 298001764), SF10, VR/VH/VM 9, VC10 (Units built prior to March 2003)
333281	\$435.00	Coil, Evap E12FD (order strainer/cap 332341), VC12,16 SF12,16 (Built prior to March 2003)
330028	\$495.00	Coil, Evap E16FD Low Profile (filter strainer 332200)
239401036	Call for Pricing	Coil, Evap EBHE8
239401037	Call for Pricing	Coil, Evap EBHE10
239401019	Call for Pricing	Coil, Evap ECD/ECM 5K-HV, 115V
239401020	Call for Pricing	Coil, Evap ECD/ECM 6.5K-HV, 115V
239401021	Call for Pricing	Coil, Evap ECD/ECM 9K-HV, 115V
239401022	Call for Pricing	Coil, Evap ECD/ECM 11K-HV, 115V

DX Replacement Parts Index

Part #	List Price (USD)	Description
239401023	Call for Pricing	Coil, Evap ECD/ECM 15K-HV, 115V
239401046	\$775.00	Coil, Evap ET12FBM, CT, ST, CV w/ Strainer and Cap Tube
715210513	\$360.00	Coil, Evap RE/REU5
715210701	\$405.00	Coil, Evap RE/REU7
715210801	\$450.00	Coil, Evap RE/REU8
715211001	\$450.00	Coil, Evap RE/REU10
715211201	\$460.00	Coil, Evap RE/REU12
715211601	\$630.00	Coil, Evap RE/REU16
715212419	\$755.00	Coil, Evap RE/REU24
715211629	\$870.00	Coil, Evap RE/REU36
332062	\$245.00	Coil, Evap SF5, 5-1, 5-2, E4FD (order strainer/cap 335466)
293044121	\$310.00	Coil, Evap SF7 with filter strainer & cap tube
333278	\$280.00	Coil, Evap SF7, VC7 & E6FD (order strainer/cap 332343)
293044256	\$340.00	Coil, Evap SF10-1, VC10/1 (Units built from March 2003)
293044123	\$465.00	Coil, Evap SF12 with filter strainer & cap tube (3/03 & earlier)
335476	\$370.00	Coil, Evap SF12-1 (Units built from March 2003)
293044124	\$470.00	Coil, Evap SF16 with filter strainer & cap tube (3/03 & earlier)
331890	\$540.00	Coil, Evap SF24, VH24, E18-24FDZM (uses expansion valve 335013)
239401027	\$335.00	Coil, Evap Turbo 6K R410A w/ Strainer and Cap Tube
239401009	\$345.00	Coil, Evap Turbo 6K w/ Strainer and Cap Tube
239401028	\$355.00	Coil, Evap Turbo 8K R410A w/ Strainer and Cap Tube
239401010	\$345.00	Coil, Evap Turbo 8K w/ Strainer and Cap Tube
239401029	\$405.00	Coil, Evap Turbo 10K R410A w/ Strainer and Cap Tube
239401011	\$375.00	Coil, Evap Turbo 10K w/ Strainer and Cap Tube
239401030	\$495.00	Coil, Evap Turbo 12K R410A w/ Strainer and Cap Tube
239401012	\$375.00	Coil, Evap Turbo 12K w/ Strainer and Cap Tube
239401031	\$550.00	Coil, Evap Turbo 16K R410A w/ Strainer and Cap Tube
239401014	\$380.00	Coil, Evap Turbo16K w/ Strainer and Cap Tube
4071502	\$21.00	Coil, Solenoid 115V LDK-310000 SH/SX10-16 / SHR/SXR10-16 / R10-16
4071503	\$19.00	Coil, Solenoid 115V LDL-31-120 Turbo 6-16K
4071501	\$24.00	Coil, Solenoid 115V SH/SX7 / SHR/SXR7 / R5 / R7
4071602	\$21.00	Coil, Solenoid 230V LDK-410000 SH/SH10-24, R10-16, VCD18K & 27K
4071603	\$19.00	Coil, Solenoid 230V LDL-41-120 All R410A Turbo - 6k - 16k & R417A 6K - 16K
4071601	\$24.00	Coil, Solenoid 230V SH/SX7C / R7C / R7CK
4071402	\$21.00	Coil, Solenoid 24V LDK11 48"
293045684	\$830.00	Compressor CSD, R(Q,X) 12K 240 w/Tube and Drier
293013032	\$650.00	Compressor 115V CS6K w/Hardware
239402000	\$550.00	Compressor 115V SF5/2
293045613	\$680.00	Compressor 115V SF10 (built thru Feb. '03)
293045623	\$650.00	Compressor 115V SF10-1 (built from Mar. '03)
293045051	\$700.00	Compressor 115V SF12 (built thru Feb. '03)
293045179	\$650.00	Compressor 115V SF12/1 (built from Mar. '03)
293045053	\$715.00	Compressor 115V SF16
239402063	\$920.00	Compressor 115V SF16, VC16/2 w/overload
293045112	\$855.00	Compressor 220V SF16CK

DX Replacement Parts Index

Part #	List Price (USD)	Description
239402016	\$835.00	Compressor 220V SF18CK/2
293045140	\$675.00	Compressor 220V VC/SX 7K
293013031	\$655.00	Compressor 230V CS6KZ w/Hardware
298001574	\$1,980.00	Compressor 230V RM24C
293045614	\$695.00	Compressor 230V SF10C (built thru Feb. '03)
293045052	\$720.00	Compressor 230V SF12C (built thru Feb. '03)
239402011	\$645.00	Compressor 230V SF12C/2
293045054	\$740.00	Compressor 230V SF16C
239402061	\$665.00	Compressor EC16K-TECH 115V w/Overload and Hardware
3019137	\$1,705.00	Compressor H22 36K 380/50/3 460/60/3 R36ECK
293045053	\$715.00	Compressor Painted 115V 16K R417A VR/CHC16T
298001305	\$1,985.00	Compressor Painted 220/50/1 RM24CK & RM30CK
298001553	\$2,675.00	Compressor Painted 230/60/1 RM30C
298001360	\$2,120.00	Compressor Painted 230/60/3 RM24DC
293045237	Call for Pricing	Compressor Painted 230/60/3 RM30DC
239402058	\$905.00	Compressor Painted 230V SF16C/2 HSA16, SXR/SLX16 with overload
293045012	\$830.00	Compressor Painted CS/VH16Z50 replaces 293045674 serial #s after 43497928 and dated after 08/28/14
293045215	\$1,380.00	Compressor Painted CSD36RZ3 230/50-60/3
293013053	\$565.00	Compressor Painted EM6-8K 220 & 8K 230V w/Grommets and Sleeves
293013047	\$555.00	Compressor Painted EM6K 115V w/Grommets and Sleeves
293013052	\$540.00	Compressor Painted EM6K 230V w/Grommets and Sleeves
293013048	Call for Pricing	Compressor Painted EM8K 115V w/Grommets and Sleeves
293013049	\$530.00	Compressor Painted EM10K 115V w/Grommets and Sleeves
293013057	\$585.00	Compressor Painted EM10K 220V w/Grommets and Sleeves
293013054	\$585.00	Compressor Painted EM10K 230V w/Grommets and Sleeves
293013050	Call for Pricing	Compressor Painted EM12K 115V w/Grommets and Sleeves
293013058	\$590.00	Compressor Painted EM12K 220V w/Grommets and Sleeves
293013055	\$595.00	Compressor Painted EM12K 230V w/Grommets and Sleeves
293013051	\$645.00	Compressor Painted EM16K 115V w/Grommets and Sleeves
293013059	Call for Pricing	Compressor Painted EM16K 220V w/Grommets and Sleeves
293013056	\$620.00	Compressor Painted EM16K 230V w/Grommets and Sleeves
293600508	\$1,365.00	Compressor Painted EM24 220/50/1 w/Grommets and Sleeves
293600504	\$1,155.00	Compressor Painted EM24 230/60/1 w/Grommets and Sleeves
293600512	Call for Pricing	Compressor Painted EM24 230/60/3 w/Grommets and Sleeves
293600516	Call for Pricing	Compressor Painted EM24 380/50/3 w/Grommets and Sleeves
293600522	Call for Pricing	Compressor Painted EM24 460/60/3 w/Grommets and Sleeves
293600509	\$1,580.00	Compressor Painted EM30 220/50/1 w/Grommets and Sleeves
293600505	\$1,275.00	Compressor Painted EM30 230/60/1 w/Grommets and Sleeves
293600513	Call for Pricing	Compressor Painted EM30 230/60/1 w/Grommets and Sleeves
293600517	Call for Pricing	Compressor Painted EM30 380/50/3 w/Grommets and Sleeves
293600523	Call for Pricing	Compressor Painted EM30 460/60/3 w/Grommets and Sleeves
293600510	Call for Pricing	Compressor Painted EM36 220/50/1 w/Grommets and Sleeves
293600506	\$1,380.00	Compressor Painted EM36 230/60/1 w/Grommets and Sleeves
293600514	Call for Pricing	Compressor Painted EM36 230/60/3 w/Grommets and Sleeves
293600518	Call for Pricing	Compressor Painted EM36 380/50/3 w/Grommets and Sleeves

DX Replacement Parts Index

Part #	List Price (USD)	Description
293600524	Call for Pricing	Compressor Painted EM36 460/60/3 w/Grommets and Sleeves
293600511	Call for Pricing	Compressor Painted EM48 220/50/1 w/Grommets and Sleeves
298001125	\$1,455.00	Compressor Painted EM48 230/60/1 w/Grommets and Sleeves
293600515	Call for Pricing	Compressor Painted EM48 230/60/3 w/Grommets and Sleeves
293600519	\$2,075.00	Compressor Painted EM48 380/50/3 w/Grommets and Sleeves
293600525	\$2,020.00	Compressor Painted EM48 460/60/3 w/Grommets and Sleeves
293045668	\$760.00	Compressor Painted R3101-10S 115V 10K R417A SLX/SN/SX/R/RX/RN/RQ
293045658	\$805.00	Compressor Painted R3101-10T 115V 10K R417A SLX/SN/SX/R/RX/RN/RQ
293045656	\$765.00	Compressor Painted R3101-12S 115V 12K R417A CS/SLX/R/RX/RN
293045647	\$805.00	Compressor Painted R3101-12T 115V 12K R417A CS/SLX/SX/RX/RN
293045644	\$775.00	Compressor Painted R3101-16S 115V 16K R417A CS/SX/RX/SLX
293045640	\$815.00	Compressor Painted R3101-16T 115V 16K R417A CS/RX
293045657	\$715.00	Compressor Painted R3101-7S 115V 6K R417A CS/SLX/SX/R/RX
293045650	\$760.00	Compressor Painted R3101-7T 115V 7K R417A CS/SLX/SX/RX
293045661	\$735.00	Compressor Painted R3102-7S 230V 7K 417A CS/SLX/SN/R/RX/RN/RQ
293045641	\$760.00	Compressor Painted R3102-7T 230V 6K R417A CS/RX
293045669	\$765.00	Compressor Painted R3102-10S 230V 10K R417A SLX/SN/SX/R/RX/RN/RQ
293045648	\$810.00	Compressor Painted R3102-10T 230V 10K R417A CS/SLX/SX/RX/RN/RQ
293045665	\$775.00	Compressor Painted R3102-12S 230V 12K R417A SLX/SN/SX/R/RX/RN/RQ
293045646	\$815.00	Compressor Painted R3102-12T 230V 12K R417A CS/SX/SLX/RX/RN/RQ/RSC
293045645	\$775.00	Compressor Painted R3102-16S 230V 16K R417A CS/SX/RX/SLX
293045643	\$815.00	Compressor Painted R3102-16T 230V 16K R417A CS/SX
239402062	\$1,165.00	Compressor Painted R3103-16 R-Type 16K unit 240/50/1 417A replaces 293045674 serial #s before 43497928 and dated before 08/28/14
293045651	\$675.00	Compressor Painted R3140-10S 115V 10K R417A CS/SLXR/SXR/SXF
293045655	\$690.00	Compressor Painted R3140-12S 115V 12K R417A SLX/SNR/SXR
293045659	\$730.00	Compressor Painted R3141-10S 230V 10K R417A SXR/SHR/SLX/SNR
293045672	\$690.00	Compressor Painted R3141-12S 230V 12K R417A SLX/SX/SH/SN
293045652	\$710.00	Compressor Painted R3141-16S 230V 16K R417A SXR/HSA/VC/SXF/VT/SXR
293045673	\$830.00	Compressor Painted R3142-16S 240V 16K R417A SX/HSA/VC/VT/ST
293045671	\$810.00	Compressor Painted R7CK R3103-7T 220V 7K R417A SX/R/RX/RN/RQ
298001186	\$1,645.00	Compressor Painted ZP21K5E 2361 410 27K units
293045702	\$1,640.00	Compressor PNTD 2T RE 230/1 H22J20BA CS24K
293013034	Call for Pricing	Compressor PNTD CS9K 115V w/Hardware
293013033	\$645.00	Compressor PNTD CS9KZ 230V w/Hardware
293013036	\$695.00	Compressor PNTD CS12K 115V w/Hardware
293013035	\$685.00	Compressor PNTD CS12KZ 230V w/Hardware
293013038	\$695.00	Compressor PNTD CS16K 115V w/Hardware
293013037	\$715.00	Compressor PNTD CS16KZ 230V w/Hardware
293045686	\$1,350.00	Compressor R20C 230/60/1
293045703	\$1,495.00	Compressor R24C 230/60/1
293045682	\$1,375.00	Compressor R24CK 240/50/1
293045664	\$1,530.00	Compressor R30C 230/60/1
293045667	\$1,430.00	Compressor R30CK 240/50/1
293045675	\$1,350.00	Compressor R36C 230/60/1
298001563	\$3,075.00	Compressor R48C 230/60/1

DX Replacement Parts Index

Part #	List Price (USD)	Description
298001712	\$3,030.00	Compressor R48DC 230/60/3
239402048	\$525.00	Compressor Turbo 6/8K-410 220/50 W/OVRLD
239402021	Call for Pricing	Compressor Turbo 6K 220V w/Overload and Hardware
239402044	\$490.00	Compressor Turbo 6K-410 115V W/OVRLD
239402045	\$510.00	Compressor Turbo 6K-410 230/60V/OVRLD
239402046	\$505.00	Compressor Turbo 8K-410 115V W/OVRLD
239402047	\$525.00	Compressor Turbo 8K-410 230V W/OVRLD
239402049	\$500.00	Compressor Turbo 10K-410 115V W/OVRLD
239402051	\$540.00	Compressor Turbo 10K-410 220/50 W/OVRLD
239402050	\$525.00	Compressor Turbo 10K-410 230V W/OVRLD
239402030	\$585.00	Compressor Turbo 12K 220V w/Overload and Hardware
239402029	\$570.00	Compressor Turbo 12K 230V w/Overload and Hardware
239402052	\$520.00	Compressor Turbo 12K-410 115V W/OVRLD
239402054	\$540.00	Compressor Turbo 12K-410 220/50 W/OVRLD
239402053	\$540.00	Compressor Turbo 12K-410 230V W/OVRLD
239402036	\$750.00	Compressor Turbo 16K 220V w/Overload and Hardware
239402035	\$595.00	Compressor Turbo 16K 230V w/Overload and Hardware
239402055	\$565.00	Compressor Turbo 16K-410 115V W/OVRLD
239402057	\$590.00	Compressor Turbo 16K-410 220/50 W/OVRLD
239402056	\$575.00	Compressor Turbo 16K-410 230V W/OVRLD
239402020	\$535.00	Compressor Turbo/EC6K 115V W/OVRLD-HRDW
239402060	\$705.00	Compressor VT16K-TECH 115V w/Overload and Hardware
3018821	\$1,195.00	Compressor, H22 20K 220-240/50/1 (RE36ECK)
701842482	\$1,485.00	Condenser RM42 R48 Heat Pump
3062024	\$755.00	Condenser R-TYPE 20-24K
4130830	\$250.00	Contactora, 30A 3P 120V R24K-48K
4130630	\$240.00	Contactora, 30A 3P 240V All R type units 24K-48K
331551	\$85.00	Contactora, 40A 2P 240V Emerald 48K, 60K, RX48K
334398	\$125.00	Contactora, 40A 3P 240V Emerald 24K-48K
4024400	\$43.00	Control HI PSI CO425 CI275 all Turbo R417A Mechanical
4024300	\$42.00	Control HI PSI CO425 CI325(UL) all Turbo R417A Digital
4024221	\$47.00	Control HPS 400/300 R407C (450psi)
4024214	\$40.00	Control HPS 575PSI R410A 1/4"F all Turbo R410A Digital
4024218	\$42.00	Control HPS CO575 CI400 1/4"FF all Turbo R410A Mechanical
4024219	\$42.00	Control LPS 60-75 +/-5 Emeralds R410A 6-16K Digital
4024222	\$47.00	Control LPS 78-92 1/4FL 1/4QD (78psi) R410A
4024200	\$36.00	Control LPS CO27 CI45 (UL) R417A, R407C (27psi)
4024217	\$42.00	Control LPS CO60 CI90 1/4" F FL Emeralds R410A 6-16K Mechanical
291603723	\$140.00	Drain Pan Assembly CS6-16
291602794	\$175.00	Drain Pan Assembly CS24-48
291049008	\$26.00	Drain Pan Mounting Kit VC/SF 6-16
291049013	\$26.00	Drain Pan Mounting Kit VC24/SF24/VH24
290339944	\$55.00	Drain Pan Mounting Kit VT6-16
239300027	\$215.00	Drain Pan SXUF18CK/1 Painted with Pad/Seal/Drain Kit/Top Comp Brkt
239300022	\$165.00	Drain Pan w/ Isolator Pads Turbo 6-8K

DX Replacement Parts Index

Part #	List Price (USD)	Description
239300023	\$165.00	Drain Pan w/ Isolator Pads Turbo 10-12K
239300024	\$165.00	Drain Pan w/ Isolator Pads Turbo 14-16K
239300038	\$75.00	Drain Pan w/ Isolator Pads TV4-8
239300039	\$75.00	Drain Pan w/ Isolator Pads TV10-12
239300040	\$75.00	Drain Pan w/ Isolator Pads TV16
3150407	\$80.00	Drier, Filter R410A 2-6T BIFLO Emerald 24K-48K
3150409	\$60.00	Drier, Filter R410A Emerald 6K-16K
226600091	\$160.00	ECD Dual Duct Kit 6K
226600094	\$160.00	ECD Dual Duct Kit 6K 3"Ins
226600092	\$160.00	ECD Dual Duct Kit 10K & 16K
218000106	\$1,130.00	ECD Install Kit 6K
218000110	\$1,185.00	ECD Install Kit 10K
218000116	\$1,265.00	ECD Install Kit 16K
218000117	\$1,295.00	ECD Install Kit 16KZ
207500208	Call for Pricing	ECD Retrofit Kit ECD6KZ50-HV R410A
293049297	\$480.00	ECD/MCS5 Electrical Box Assy 2251 417A
293049287	Call for Pricing	ECD/MCS9 Electrical Box Assy 1161 417A
293049363	\$525.00	ECD/MCS12 Electrical Box Assy 2251 410A
293049289	Call for Pricing	ECD/MCS15 Electrical Box Assy 1161 417A
293049298	\$480.00	ECD/MCS15 Electrical Box Assy 2251 417A
293049362	\$480.00	ECD/MCS16 Electrical Box Assy 2251 410A
293049381	Call for Pricing	ECD/MCS16 Electrical Box Assy 2361 417A Remote
334397	\$18.00	Fuse 1/4AMP 250V (automotive type), A-281C SMX II Board w/ Heat Sink Plate
335498	\$8.57	Fuse 3AG .8 AMP SMX PC Board
4122891	\$20.00	Fuse 50mA 5X20mm Delay 250V, A-281C SMX II Board without Heat Sink Plate
4200801	\$110.00	Heater Rect. 1.5KW 240V 25FIN 3Element EBHE24-30K
4200800	\$115.00	Heater Rect. 1.5KW 240V 25FIN EBHE10K
4200700	\$115.00	Heater Rect. 1KW 240V 25FIN EBHE6-8K
4200901	\$115.00	Heater Rect. 2KW 240V 25FIN 3Element EBHE16K
4200900	\$115.00	Heater Rect. 2KW 240V 25FIN EBHE12K
336569	\$80.00	Overload .62-1.1A W/40A-CONTR
335571	\$29.00	Overload 115V SF10-1 (built from Mar. '03)
335574	\$29.00	Overload 115V SF12-1 (built from Mar. '03)
3100250.277	\$14.00	Overload 115V VC16K / VR16K
332855	\$29.00	Overload 12K 115V RK5510E (SHR,SXR12 & SF12 built thru Feb. '03)
332858	\$27.00	Overload 16K 115V RK5513E (SHR,SXR16, SF16)
331404	\$31.00	Overload 16K 115V/AK8515 (SH,SX16, R16)
332859	\$29.00	Overload 16K 220V RK5515E (SF16C, Turbo 16K 220V)
332860	\$29.00	Overload 16K 220V SF16CK
331405	\$30.00	Overload 16K 220V/AKA8515EXD
335575	\$29.00	Overload 220V SF12CK-1 (built from Mar. '03)
332850	\$31.00	Overload 230V SF7C
4043100	\$23.00	Overload 5K 115V MRA99087-325
331406	\$31.00	Overload 6K 115V/AE5465E (SH,SX7)
332849	\$29.00	Overload 7K 115V RG5467E

DX Replacement Parts Index

Part #	List Price (USD)	Description
332852	\$29.00	Overload 9/10 115 RK5480E
4120007	\$23.00	Overload MRA-12370-117..30299 R417A 115V Turbo 12K, VC12K/2, VR12K/2, SXF12/2
4120046	\$21.00	Overload MRA-12371-729..30299
4120047	\$21.00	Overload MRA-12372-729..30299
335573	\$29.00	Overload MRA-38126-113..30299
4120040	\$23.00	Overload MRA98533-325 14Z-Z50
4120023	\$27.00	Overload MRA98704 18K-240V/50
4120038	\$23.00	Overload MRA98706-325 10K
4120022	\$23.00	Overload MRA98768 16K-230V
4120009	\$23.00	Overload MRA98856 7K-230V
4120008	\$23.00	Overload MRA98866-325 7K-115V
4120024	\$23.00	Overload MRA99017-325 5K 240/50
4120010	\$23.00	Overload MRA99027 10/12K-230V
4120039	\$23.00	Overload MRA99052-325 10KZ
4120025	\$23.00	Overload MRA99137-325 7K 240/50
4120028	\$23.00	Overload MRA99200-325 10K 240
4120027	\$23.00	Overload MRB5812-807 16K 115V
044700	\$34.00	Overload Old Copeland 30101-16
048900	\$32.00	Overload Tecumseh 30101-10 * (SH, SX10) / (R10) 115V
049000	\$31.00	Overload Tecumseh 30101-11 &12 (SH, SX12) / (R12) 115V
049200	\$36.00	Overload Tecumseh 30102-10 * (SH, SX10C) / (R10C) 230V
049300	\$32.00	Overload Tecumseh 30102-12 * (SH, SX12C) / (R12C) 230V
046801	\$32.00	Overload Tecumseh 3014112 (SHR,SXR12,16)
046805	\$29.00	Overload Tecumseh 3014212 (SHR,SXR12CK)
4120061	\$32.00	Overload TECUMSEH 8300MRAT71
4120060	\$43.00	Overload TECUMSEH 8300MSPT89
4120057	\$30.00	Overload TECUMSEH 8300MSTH34
4120062	\$22.00	Overload TECUMSEH 8300MSTT72
330924	\$36.00	Overload Therm 140° Auto Reset
4062800	\$44.00	Overload Therm 180° Manual Reset
334570	\$195.00	Overload*1.3-1.9A
334173	\$195.00	Overload*1.8-2.7A
334171	\$195.00	Overload*5.5-8.5
334172	\$195.00	Overload*8-12A
336577	\$80.00	Overload, 12-18A use with 40 Amp Contactor
336573	\$80.00	Overload, 2.5-4A use with 40 Amp Contactor
331170	\$160.00	Receiver, Bi-Flow CS6K - CS36K & Emeralds 24-36K
3150401	\$300.00	Receiver, Bi-Flow Emeralds 48K all voltages
224110091	\$290.00	Relay, 2-6 PRP circuit board & thermal compound packet
224110090	\$245.00	Relay, 2-PRP circuit board & thermal compound packet
332056	\$46.00	Relay 24V Coil 10A SPST one per stage, smallest
4134902	\$85.00	Relay DPDT 230V 30 Amp
298600007	\$175.00	Relay Ign Protected 4136300 (R24CK)
290339711	\$95.00	Relay PC Board A-550
331269	\$70.00	Relay Potential JPR 65

DX Replacement Parts Index

Part #	List Price (USD)	Description
4128010	\$165.00	Relay Potential JPR 66
4134200	\$265.00	Relay Solid State 75 amp
331721	\$155.00	Relay Start GE 3ARR22W24
298001157	\$125.00	Relay Start Ign Protected (R30CK)
298001141	\$150.00	Relay Start Ign Protected (R48CK)
298001216	\$210.00	Relay Start Ign Protected GE3ARR3T1 (R20/36CK)
290339860	\$75.00	Relay Start Motor UMSR50
TR115	\$75.00	Relay Trigger 115V
TR230	\$75.00	Relay Trigger 230V
710035040	\$85.00	Resistor & Cap Assy DC Fan
4146400	\$1.18	Resistor 56K OHM 2 Watt
332516	Call for Pricing	Resistor 62K OHM 1 Watt DDC circuit board
290000020	\$18.00	Resistor 7.5K OHM 10W all RM units
701820245	\$510.00	Reversing Valve Assy A-509B SH/SX/R7
701820243	\$510.00	Reversing Valve Assy A-509C R10-16
701820242	\$510.00	Reversing Valve Assy A-511B SH/SX10-16
290339646	\$55.00	Reversing Valve Assy Emeralds 6K-10K all voltages
290339643	\$55.00	Reversing Valve Assy Emeralds 12-16K all voltages, VCD18-27K
290339644	\$55.00	Reversing Valve Assy Emeralds 24K-36K all voltages
290339645	\$110.00	Reversing Valve Assy Emeralds 48K all voltages
701820240	\$510.00	Reversing Valve Assy R20/24
701830360	\$510.00	Reversing Valve Assy R30/36
701820246	\$510.00	Reversing Valve Assy R48 Straight Tube
239100080	\$230.00	Reversing Valve Assy Stowaway SXF & SHF 12-16 (after 3/03) w/Solenoid
239100071	\$275.00	Reversing Valve Assy Turbo 6-8K 115V w/Solenoid
239100072	\$275.00	Reversing Valve Assy Turbo 6-8K 220/230V w/Solenoid
239100073	\$290.00	Reversing Valve Assy Turbo 10-12K 115V w/Solenoid
239100074	\$290.00	Reversing Valve Assy Turbo 10-12K 220/230V w/Solenoid
239100075	\$305.00	Reversing Valve Assy Turbo 14-16K 115V w/Solenoid
239100076	\$305.00	Reversing Valve Assy Turbo 14-16K 220/230V w/Solenoid
263400942	\$668.00	SMX Control, Kit DAHC DC COS 10' Air Sensor Remote Box with Harness
263400941	\$668.00	SMX Control, Kit DAHC HV COS 10' Air Sensor Remote Box with Harness
722300288	\$365.00	SMXII Control, A-288D, Dual-Purpose replacement SMXII HV Power Logic Board
701500104	\$690.00	SMXII Control, Retrofit A-279, F20C-F60C w/ HV Board (No Triac)
705600010	\$465.00	SMXII Control, Retrofit A-284, P/L Box w/ HV Board A-288C (3-knob), 115/230V
705600011	\$545.00	SMXII Control, Retrofit NET Board to U Board, 115/230V
705600011	\$545.00	SMXII Control, Retrofit P/L Online > Net-U
763100057	\$395.00	SMXLB, SMX Control Online Black
335055	\$13.00	Start Assist. 370HM PTCR Emeralds 16K
335466	\$30.00	Strainer with cap tube SF5K
332343	\$34.00	Strainer with cap tube SF7K
298001764	\$65.00	Strainer with cap tube SF10K
332341	\$45.00	Strainer with cap tube SF12K
332340	\$45.00	Strainer with cap tube SF16K
3150018	\$50.00	Strainer with cap tube SF18K, 410A

DX Replacement Parts Index

Part #	List Price (USD)	Description
297000050	\$90.00	Switch High Pressure A-200, Line Duty, R417A/R22
297000048	\$90.00	Switch High Pressure A-205, R417A/R22
297000047	\$90.00	Switch Low Pressure A-201, R417A/R22
297000012	\$145.00	Tee Assembly High Pressure, high amperage, R417A/R22
297000014	\$140.00	Tee Assembly High Pressure, low amperage
297000013	\$160.00	Tee Assembly Low Pressure, high amperage, R417A/R22
297000015	\$160.00	Tee Assembly Low Pressure, low amperage
297000054	\$85.00	Tee Port, Low Pressure A-204, Retro Kit, R417A/R22
330417	\$115.00	Valve, Base 1/2F X 1/2S B
330410	\$80.00	Valve, Base 1/4F X 1/4S B
330416	\$95.00	Valve, Base 3/8F X 3/8S B
330694	\$135.00	Valve, Base 5/8F X 5/8S B
3084704	\$205.00	Valve, TXV R410A w/Internal Check Valve Emerald 6K-16K
3080058	\$195.00	Valve, TXV R410A 2T w/Internal Check Valve Emerald 24-30K & R410A Evaps 18-30K
3080059	\$215.00	Valve, TXV R410A 3T w/Internal Check Valve Emerald & R410A Evaps 36-48K
3080060	\$225.00	Valve, TXV R410A 5T w/Internal Check Valve Emerald & R410A Evaps 60-72K

AU/AU-EU Replacement Parts Table

AU/AU-EU HVZ Capacity	Voltage	Blower	Coil *Raw	Capacitor	Mount Ring	Flow Regulator	Breathe Easy Bulb
6K	230V	264400087	336081	4040004	335884	293600556	4210800
9K	230V	264400083	336082	4040003	335883	293600298	4210800
12K	230V	264400084	336082	4040047	335883	293600299	4210800
18K	230V	264400085	336084	4040046	335882	293600301	4210827
24K	230V	264400081	336085	4040008	228701034	293600302	4210827

AU/AU-EU DCZ Capacity	Voltage	Blower	Coil *Raw	Capacitor	Mount Ring	Flow Regulator	Breathe Easy Bulb
6K	230V	264400135	336081	N/A	335884	293600556	4210800
9K	230V	264400136	336082	N/A	335883	293600298	4210800
12K	230V	264400091	336082	N/A	335883	293600299	4210800
18K	230V	264400090	336084	N/A	335882	293600301	4210827
24K	230V	264400137	336085	N/A	228701034	293600302	4210827

* coil assembly please call part number and price.

AU/AU-EU Air handlers - All Capacities and Voltages where applicable

Capacity	Valve 3 Way	1KW Heater	1.5KW Heater	High Limit Overload	Low Limit Overload	UV Light
6K - 24K	4070008	4200701	4200801	4210034	330924	4210833

ATL Replacement Parts Table

ATL HVZ

Capacity	Voltage	Blower	Capacitor	Coil	Mount Ring	Flow Control
6K	230V	2054304	4040004	3020059	335883	334943
9K	230V	290000023	4040003	3020059	335883	334935
12K	230V	290000023	4040003	3020058	335883	334945
18K	230V	290000023	4040003	3020058	335883	334947
24K	230V	290000018	4040008	360220	228701034	334368
36K	230V	2054318	4040046	330898	228701034	334309

ATL DCZ

Capacity	Voltage	Blower	Capacitor	Coil	Mount Ring	Flow Control
6K	230V	290000019	N/A	3020059	335883	334943
9K	230V	290000019	N/A	3020059	335883	334935
12K	230V	290000019	N/A	3020058	335883	334945
18K	230V	290000019	N/A	3020058	335883	334947
24K	230V	290000024	N/A	360220	228701034	334368
36K	230V	290000024	N/A	330898	228701034	334309

	Voltage	3-Way Valve	High Limit Switch	Low Limit Switch	UV Ballast	Heater 1KW	Heater 1.5KW
All Capacities	230V	4070008	4210034	330924	4210833	4200701	4200801

Item	List Price USD	Description	Item	List Price USD	Description
4070008	\$255.00	3-Way Valve 230V	334309	\$255.00	Flow Control 36K
290000019	\$1,235.00	Blower 6-18K DCZ	334368	\$255.00	Flow Control 24K
290000024	\$1,345.00	Blower 24-36K DCZ	334935	\$255.00	Flow Control 9K
290000034	\$185.00	Blower 6K & 12K HVZ	334943	\$255.00	Flow Control 6K
290000023	\$235.00	Blower 9K & 18K HVZ	334945	\$255.00	Flow Control 12K
290000018	\$410.00	Blower 24K HVZ	334947	\$255.00	Flow Control 18K
2054318	\$460.00	Blower 36K HVZ	4200701	\$100.00	Heater 1KW 240V 17-FIN
4040003	\$9.30	Capacitor 9-18K HVZ	4200801	\$110.00	Heater 1.5KW 240V 25-FIN
4040004	\$9.84	Capacitor 6K HVZ	4120034	\$55.00	High Limit Switch
4040008	\$16.00	Capacitor 24K HVZ	330924	\$36.00	Low Limit Switch
3020058	Call for Pricing	Coil 12-18K	335883	\$20.00	Mount Ring 6-18K
3020059	\$600.00	Coil 6-9K	228701034	\$42.00	Mount Ring 24-36K
360220	\$1,095.00	Coil 24K	4210833	\$115.00	UV Ballast
330898	\$2,100.00	Coil 36K			

Chilled Water Replacement Parts Index

Part #	List Price (USD)	Description
334275	\$16.00	Adapter, SW Manifold, 5/8 x 1/2MPT
264400087	\$375.00	Blower AU6HVZ 5"MR W/CAP
264400083	\$395.00	Blower AU9HVZ 6"MR W/CAP
264400084	\$445.00	Blower AU12HVZ 6"MR W/CAP
264400085	\$485.00	Blower AU18HVZ 7"MR W/CAP
264400081	\$730.00	Blower AU24HVZ 8"MR W/CAP
264400135	\$1,380.00	Blower AU6DCZ 5"MR 230V
264400136	\$1,410.00	Blower AU9DCZ 6"MR 230V
264400091	\$1,505.00	Blower AU12DCZ 6"MR 230V
264400090	\$1,505.00	Blower AU18DCZ 7"MR 230V
264400137	\$1,640.00	Blower AU24DCZ 8"MR 230V
264400008	\$375.00	Blower AT4FZ 4"MR 230V
264400078	\$250.00	Blower AT4HVZ W/CAP 4"MR 230V
264400127	\$415.00	Blower AT9HVZ 6"MR W/CAP 230V
264400128	\$435.00	Blower AT12HV/ABL24HVZ 6"MR 230V
264400129	\$505.00	Blower AT18HVZ 7"MR W/CAP 230V
264400053	\$655.00	Blower AT24HVZ 8"MR W/CAP 230V
264400006	\$785.00	Blower AT36HVZ 8"MR W/CAP 230V
291617076	\$550.00	Blower INS AH6DT2, AT6HV W/CAP, 115V
291617010	\$660.00	Blower INS AH9DT2, AT9HV W/CAP, 115V
291617077	\$715.00	Blower INS AH12DT2, VH16HV, AT12HV, 115V
291617078	\$870.00	Blower INS AH16-18DT2, AT18HV W/CAP, 115V
293042093	\$1,380.00	Blower INS AH24DT(Z)/FD(Z) 8MR, 115V/230V
293042086	\$455.00	Blower INS AH4FDZ 4"MR, 230V
291617014	\$505.00	Blower INS AH6DT2Z, AT6HVZ W/CAP, 230V
291617011	\$660.00	Blower INS AH9DT2Z, AT9HVZ W/CAP, 230V
291617006	\$710.00	Blower INS AH12DT2Z W/CAP, 230V
291617001	\$620.00	Blower INS 16-18, FDHVZ, DT2Z HV W/CAP 230V
291617079	\$870.00	Blower INS AH16-18DT2Z W/CAP, 230V
293042101	\$735.00	Blower INS AH24DTZ/FDZ TO HVZ 8"MR, 230V
Note: Insulated blower includes inlet mounting ring and capacitor. Duct ring not included.		
264400021	\$1,300.00	Blower AT6DC 5"MR 230V
264400020	\$1,305.00	Blower AT9DC 6"MR 230V
264400019	\$1,430.00	Blower AT12DC/ABL24DCZ 6"MR 230V
264400018	\$1,410.00	Blower AT18DC 7"MR 230V
264400017	\$1,510.00	Blower AT24DCZ 8"MR 230V
264400016	\$1,730.00	Blower AT36DCZ 8"MR 230V
264400023	\$1,455.00	Blower AT18DC-MU 7"MR 230V
264400024	\$1,645.00	Blower AT24DCZ-MU 8"MR 230V
264400025	\$1,685.00	Blower AT36DCZ-MU 8"MR 230V
264400029	\$600.00	Blower AT18HVZ-MU 5"MR-NOCA
264400144	\$335.00	Blower AT12HVZ-MU 5"MR
264400148	\$600.00	Blower AT18HVZ-MU 5"MR-CAP
290000019	\$1,235.00	Blower ATL6-18K DCZ 230/50-60/1 (2 per unit 12K and 18K)
290000024	\$1,345.00	Blower ATL24-36K DC-E 230/50-60/1 (2 per unit 36K)
290000021	\$225.00	Blower ATL6K & ATL12K HV 115V (2 per unit 12K)
290000022	\$225.00	Blower ATL9K & ATL18K HV 115V (2 per unit 18K)

Chilled Water Replacement Parts Index

Part #	List Price (USD)	Description
2011001	\$290.00	Blower ATL24-36K HV 115V (2 per unit)
264400065	\$435.00	Breathe Easy Retrofit Kit AU6-12
264400066	\$455.00	Breathe Easy Retrofit Kit AU18-24
4250025	\$230.00	Cable VFD Modbus
4250042	\$395.00	Canbus Adapter Board Q-Logic Networks
4040003	\$9.30	Cap, 3 mfd with spades 9K HVZ 230V - AT, ATL, ABL18, AU
4040004	\$9.84	Cap, 4 mfd with spades AT6,12,18,24HVZ 230V
4040047	\$15.00	Cap, 5 mfd with spades 12K HVZ 230V - AT, ATV, ABL24, AU
4040046	\$15.00	Cap, 6 mfd with spades 18K-24K HVZ 230V AT, ATL36, ATV, AU
4040008	\$16.00	Cap, 8 mfd with spades 24K & 36K HVZ 230V - AT, ATL, ATV, AU
4040006	\$19.00	Cap, 10 mfd with spades 9K & 12K HV 115V - AT, ATL, ATV, AU
330750	\$21.00	Cap, 16 mfd with spades 6K & 12K HV 115V - AT, ATV, AU
4040014	\$18.00	Cap, 20 mfd with spades 18K-24K 115V HV - AT, ATL, AU
331103	\$18.00	Cap, 2 mfd Fan Run Capacitor AH4FDZ-HV
333345	\$9.46	Cap, 5 mfd Fan Run Capacitor AH6, 9, 12, 18, 24
332169	\$245.00	Contactora AEG, 40A 3 phase, 240V coil
336556	\$100.00	Contactora, 40A 3P 240V CWMC, TWLC
336557	\$125.00	Contactora, 40A 3P 24V COIL
223100505	\$325.00	Control-U Board CW
223100506	\$630.00	Control-U Board CW Network
297000044	\$110.00	Control, A-4215, Rotary Fan Speed, 115V
297000046	\$110.00	Control, A-4216, Rotary Fan Speed 230V
4220002	\$630.00	Control DDC, new dual voltage 115/230V (replaces 333647 & 333576)
4220102	\$660.00	Control, DDC 2-Speed 115/230V
263600170	\$680.00	Control, Repl Kit CWMC with new rev H board and mounting plate
4220003	\$650.00	Control, CWMC new rev H (this replaces part number 334618)
4220103	\$650.00	Control, CWMC 2-Speed
263401101	\$790.00	Control TWLC Board-Rev B
4240500	\$135.00	Control, DC Converter Board Universal
297000043	\$90.00	COS, Changeover T-STAT with Spring
334083	\$95.00	COS, Switch Changeover Flat
337468	\$195.00	Current Transducer 10 amp used on PLC Chiller Controls
337469	\$195.00	Current Transducer 30 amp used on PLC Chiller Controls
337129	\$2,470.00	Drive, Single-Phase, POWER+ 12 A, 200-240 VAC 1PH, IP20/IP44
763300034	\$27.00	EPROM Repl Chiller MPE board
263600104	\$230.00	Harness 1-Stage DDC Remote Switch, 25ft
263600107	\$400.00	Harness 2-Stage DDC Remote Switch, 25ft
263600108	\$475.00	Harness 3-Stage DDC Remote Switch, 25ft
263600114	\$470.00	Harness 4-Stage DDC Remote Switch, 25ft
4160099	\$410.00	Harness, MTD Secondary LPS, no solenoid coil, no flow switch reed
4201200	\$115.00	Heat Element AT's, rectangular, 1KW, 120V
4200700	\$115.00	Heat Element AT's, rectangular, 1KW, 240V
4201100	\$115.00	Heat Element AT's, rectangular, 1.5KW, 120V
4200800	\$115.00	Heat Element AT's, rectangular, 1.5KW, 240V
4201000	\$115.00	Heat Element AT's, rectangular, 2KW, 120V
4200900	\$115.00	Heat Element AT's, rectangular, 2KW, 240V

Chilled Water Replacement Parts Index

Part #	List Price (USD)	Description
331035	\$610.00	Heat Element Fins PHD 1.5KW, 240V
4160051	\$390.00	Kit MTA/B-MTC, no solenoid coil, no flow switch reed
5090900	\$15.00	Knob Black Mylar
360555	\$23.00	Light Indicator 28VAC Green
330924	\$36.00	Overload Thermal, Auto-reset, 140F (PHD & all CW AHs, including FAMU's)
335871	\$47.00	Overload Thermal, Man-reset, 160F (Slimlines)
4120034	\$55.00	Overload Thermal, Man-reset, 240F (AT, ABL, ATL, ATV)
337488	\$165.00	Power Supply 115/230-24VDC 4.2A
333972	\$110.00	Sensor Hydro/XTC SRV 20' cable
330926	\$110.00	Sensor Hydro/XTC SRV 25' cable
330941	\$200.00	Sensor Hydro/XTC SRV 50' cable
297000051	\$145.00	Sensor Temp, repl A-415, A-350 Controls (MPA units)
4062305	\$90.00	Sensor Temp, TWLC (MPE) and Ranco ETC (MPC)
4020800	\$90.00	Switch, 3 Position, Rotary, SA1/SA3/SSA3/DSA
4023500	\$46.00	Switch, 3 Position, Rotary
4023600	\$70.00	Switch, 2 Position, Rotary 2-Speed Fan
019700	\$28.00	Switch Assembly Cover, Plastic
331847	\$23.00	Switch Rocker pump selector w/ dash and circle
333708	\$5.36	Switch Rocker used with CHC DDC, 10A SPDT
332025	\$175.00	Switch Flow (V10), Brass Body with Reed Switch
4020013	\$205.00	Switch Flow Black Plastic (not interchangeable with 332025 switch above)
297704439	\$250.00	Switch Flow A-400 with Resistor, Cut Paddle
297704443	\$110.00	Switch Flow A-403 Repl Reed with Resistor #1061700
263400006	\$280.00	Switch Freeze Stat - low-temperature safety, 24V (replaces 332242)
263400005	\$280.00	Switch Hi Limit - high-temperature safety, 24V (replaces 332241)
333361	\$80.00	Switch Reed V10 Flow Switch 332025
331044	\$21.00	Thermal Fuse, 152C, 1.5KW and larger (PHD, AHDT, AHFD, Slimlines, Blowthroughs)
4060603	\$110.00	Thermostat Anticipating Heat and Cool, SA3/SSA3/DSA
332704	\$95.00	Thermostat Anticipating *Cool Only, C12-5187
4135502	\$39.00	Timer Delay (delay on make 18-240VAC)
332501	\$210.00	Transformer, 380VAC primary/240VAC secondary
335168	\$145.00	Valve, Actuator only, Erie "Pop-Top"™, 115V
335169	\$145.00	Valve, Actuator only, Erie "Pop-Top"™, 230V
333837	\$345.00	Valve, 3-way & actuator, 115V, 3/4" IFL, Erie "Pop-Top"™
4070007	\$255.00	Valve, 3-way & actuator, 115V, 1/2" sweat, repl Erie "Pop-Top"™ & Sinro (Plastic)
4070008	\$255.00	Valve, 3-way & actuator, 230V, 1/2" sweat, repl Erie "Pop-Top"™ & Sinro (Plastic)
335808	\$525.00	Valve, 3-way & actuator, 230V, 1" sweat, Erie "Pop-Top"™
291613004	\$65.00	Valve, 36" Water Bleeder Asy w/Nylon Tube & Straight Fitting
291613033	\$80.00	Valve, 40" Water Bleeder Asy w/Nylon Tube & Elbow Fitting
3080054	Call for Pricing	Valve, Relief 450PSI 3/8"x1/2"
3080053	\$400.00	Valve, Relief 600PSI 3/8"x1/2"
332063	\$135.00	Valve, Motor Only 3-way, 115V (see note)
332002	\$135.00	Valve, Motor Only 3-way, 230V (see note)

Chilled Water Replacement Parts Index

Part #	List Price (USD)	Description
Notes:		
1. Sinro valves and replacement parts are no longer available. The motors listed above CAN be used on Sinro AND Erie valves. If the motor alone will not suffice, then replace a Sinro valve with the appropriate voltage of the SWEAT Erie valve. DO NOT attempt to replace a Sinro with an IFL Erie valve. Refer to 2009 Field Notice 294-K09 for more information.		
2. Actuator Note: Erie IFL and sweat valves use the same Erie actuator.		
3. Sizing Note: 1/2" sweat valves fit 5/8" od copper tubing. 3/4" IFL (internal flare) valves fit flared 5/8" od copper tubing. 1" sweat fits 1-1/8" od		
4. Erie/Invensys/TAC Note: Erie, Invensys, and TAC are different names for the same valve manufacturer and same valves.		
5. Motor Only Note: "Motor Only" part numbers require the actuator to be opened and the motor itself replaced. This is not an easy operation, especially if the air handler is installed. We recommend replacing the entire actuator instead.		
EXCEPTION: If you have a Sinro valve, it is easier to replace the motor than to replace the entire valve. Air handlers built before 2000 may not have removable actuators. In that case, replacing the motor may be preferable to replacing the entire valve.		
CWMC-OTS Electric Boxes (Chilled Water Master Control " Off the Shelf")		
This electric box can be used with 2 to 6 stage MCW chillers with DDC controls as either a field retrofit (see notes below) or it can be ordered with a new chiller. The box contains the CWMC circuit board, SW & CW pump		
contactors (and overloads if 3 ph), a terminal block pump & power connections, and the CWMC display in the lid.		
Circuit breakers are not included.		
263600141	\$1,900.00	Single phase CWMC-OTS box with two 230VAC pump contactors.
263600142	\$1,900.00	Single phase CWMC-OTS box with two 115VAC pump contactors.
263120361	\$605.00	CWMC Display, Black 2
Notes:		
1. Box dimensions: Standard is 14"Hx12"Wx4.7"D, add 1 or 2 pumps and dimensions are 11"Hx15"Wx4.7"D.		
2. Need to specify 3 phase pump volts & amps and/or horsepower when ordering 3 phase boxes.		
3. 380-460VAC power supplied chillers should use the 230VAC pump contactor OTS boxes.		

CONDARIA

Chilled Water Parts List

Item Number	List Price USD	Description
Personal Climate Control System (Series 7)		
Series 7 Displays		
530700050	\$310.00	Personal Climate Display VIMAR ARKE BLACK
530700060	\$310.00	Personal Climate VIMAR ARKE WHITE
530700110	\$310.00	Personal Climate Axolute & Air
530700010	\$310.00	Personal Climate VIMAR IDEA
530700040	\$310.00	Personal Climate Vimar EIKON-EVO
MBS 7 and ABS 7 Control Board with Enclosure		
530703010	\$730.00	Personal Climate MBS-7 3 Speed Main Board
530703030	\$325.00	Personal Climate ABS-7 3 Speed Slave Board
530710060	\$770.00	Personal Climate MBS-7 10 Speed Main Board
530710080	\$325.00	Personal Climate ABS-7 10 Speed Slave Board
Series 7 Air Handler Junction Box		
530241000	\$70.00	Single Ventilator Junction Box with Board and Harness
530241005	\$80.00	Twin Ventilator Junction Box with Board and Harness
Top Climate Control System (Series 3 and Series 6)		
Displays Series 3 through Series 6		
530000131	\$375.00	Top Climate Display Vimar Idea (type) MBS 3-6
530000200	\$375.00	Top Climate Display Living & Light tech (type) MBS 3-6
530000110	\$375.00	Top Climate Display Axolute (type) MBS 3-6
530000120	\$375.00	Top Climate Display Vimar Eikon (type) MBS 3-6
MBS 3-6 and ABS3-6 Control Board with Enclosure		
530000080	\$670.00	Top Climate MBS-3 3 Speed Main Board
530000160	\$325.00	Top Climate ABS-3 3 Speed Slave Board
530000128	\$900.00	Top Climate MBS-3 10 Speed Main Board
530000090	\$565.00	Top Climate MBS-6 3 Speed Main Board
530000100	\$350.00	Top Climate ABS-6 3 Speed Slave Board
530000010	\$790.00	Top Climate MBS 6-10 Speed Main Board
530000020	\$670.00	Top Climate ABS 6-10 Speed Slave Board
Climate Organizer Control System Parts		
530000132	\$375.00	Climate Organizer Display Black (Clio) MBS 2
530000133	\$375.00	Climate Organizer Display White (Clio) MBS 2
530000129	\$660.00	Climate Organizer (CLIO) MBS-2 3 Speed Control Board
530000160	\$325.00	Top Climate ABS-3 3 Speed Slave Board
Air Handler Ventilator Assemblies (capacitors not included)		
6080610	\$520.00	Mini & Compact
6080620	\$740.00	Junior
6080560	\$770.00	Giant 4 & Giant 8
6080643	\$400.00	AP M
6080640	\$510.00	AP 1 & AP3
6080650	\$530.00	AP 5
6080667	\$1180.00	AP8 & AP 10 (not insulated intend to just change the motor)
6080580	\$1520.00	AP 12 (not insulated intend to just change the motor)
Series 7- 10 Speed Ventilator Capacitors (Metal Capacitor without box)		
530080000	\$24.00	APM Run Capacitor 10 Speed (1,5 uF)
530080010	\$24.00	AP1, AP3, Twin 12, G4, G8 8 Run Cap. 10 Speed (2 uF)
530080020	\$24.00	AP5, Twin 18 Run Capacitor 10 Speed (4uf)
530080030	\$24.00	AP8, AP10 Run Capacitor 10 Speed (6uf)
530080040	\$24.00	AP12 Run Capacitor 10 Speed (8 uF)

CONDARIA

Chilled Water Parts List

Item Number	List Price USD	Description
MBS 3-6 Compatible 3 Speed Capacitor Assembly with Box		
530079000	\$ 220.00	AP M (3 speed)
530079010	\$ 220.00	AP 1, AP3, Twin 12, Giant 4, Junior, Giant 8 (3 speed)
530079020	\$ 220.00	AP 5, Twin 18 (3 speed)
530079030	\$ 220.00	AP 8 & AP 10 (3 speed)
530079050	\$ 220.00	AP 12 (3 speed)
MBS 3- 6 Compatible 10 Speed Capacitor Assemblies:		
530077070	\$ 148.00	AP M (10 speed)
530077040	\$ 148.00	AP 1, AP3, Twin 12, Junior, Giant 4, Giant 8 (10 speed)
530077050	\$ 148.00	AP 5, Twin 18 (10 speed)
530077060	\$ 148.00	AP 8 and AP 10 (10 speed)
530077090	\$ 148.00	AP 12 (10 speed)
Air Handler Sensors		
530000210	\$55.00	Air Sensors All Condaria Air Handler Controls
5330250	\$55.00	Water Sensor Air Handlers and Chillers
530000230	\$55.00	Series 7 Water Sensor with J Box Plug
Air Handler 3 Way 4 Port Water Valves and Parts		
5302370	\$150.00	3 Way Valve Johnson Cont. Solenoid
5302390	\$150.00	3 Way Valve Solenoid Sauter
5302302	\$300.00	3 Way Valve Body Sauder BUL15
529001025	\$450.00	3 Way 4 port Valve Complete Condaria 220V 1PH Sauter
Chiller Control Boards:		
5330220	\$1110.00	Chiller Organizer -1 Compressor Main Board
5330230	\$1275.00	Chiller Organizer -2 Compressor Main Board
5330010	*	Obsolete Chiller Organizer 2 -3 Comp. M/B use 5330210
5330020	*	Obsolete Chiller Organizer 2 -4 Comp. M/B use 5330200
5330210	\$1600.00	Chiller Organizer 2/3 -3 Comp. Main Board
5330200	\$1600.00	Chiller Organizer 2/3 -4 Comp. Main Board
5330170	*	Obsolete Easy Chiller - 1 Comp/3 Sensor Main Board*
5330180	*	Obsolete Easy Chiller - 2 Comp/3 Sensor Main Board*
5330545	\$1070.00	Easy Chiller - 1 Comp/4 Sensor Main Board*
5330540	\$1190.00	Easy Chiller - 2 Comp/4 Sensor Main Board*
* contact service department before ordering these boards.		
Chiller Control Displays:		
533000025	\$400.00	Chiller Organizer PRIMARY Display, 1 Compressor
533000020	\$400.00	Chiller Organizer PRIMARY Display, 2 Compressor
533000010	\$1350.00	Chiller Organizer 2/3 PRIMARY Display - 3 or 4 Comp.
5330090	\$435.00	Easy Chiller Display 1 or 2 comp. (board only)
533000300	\$1350.00	Easy Chiller/Top Chiller Remote Network Ready Display
Chiller Miscellaneous Parts:		
5330250	\$55.00	Water and Freeze Sensor Chillers
5240220	\$100.00	Pressure Gauge Condaria
5270320	\$150.00	Pressure Differential Switch
5270010	\$551.00	Flow Switch Caleffi 1 "
5270090	Call Price	Sika Flow Switch (Plastic Paddle) PCWM 410a systems

CONDARIA

Chilled Water Parts List

Item Number	List Price USD	Description
Pumps		
6230260	\$1900.00	Sea Water BCM22/A 230V/1/50-60
6230370	\$1150.00	Circulation Pump CM 22 E/R 230/60/1
6230840	\$1244.00	Circulation Pump NMM25/12 230V/1/50-60
6230830	\$2200.00	Sea Water Pump BNMM25/12 230 60/1
6230301	\$2310.00	Sea Water Pump BC41/1E 230 50-60/1
Pump Spare Parts		
6260190	\$260.00	Pump Seal Kit (diam. 12MM) BCM20, BCM 22, NMM25
6260195	\$350.00	Pump Seal Kit (diam. 18MM) BC41 E
6260210	\$13.00	Pump Head Gasket BCM 20
6260220	\$17.00	Pump Head Gasket BCM 22 and NMM25
6260230	\$25.00	Pump Head Gasket BCM 41 E
6260300	\$25.00	Pump Head Gasket BNMM25/12
6260011	\$22.00	Pump Capacitor 10 MF
6260010	\$26.00	Pump Capacitor 12.5 MF
6260020	\$30.00	Pump Capacitor 16 MF
6260030	\$35.00	Pump Capacitor 20 MF
6260040	\$39.00	Pump Capacitor 25MF

Product Cancellation Policy

Dometic manufactures a broad range of products that are made available to our extensive customer base in two distinct categories:

1. The Majority of our sales volume is derived from products that are ordered on a consistent basis and therefore are placed into our Stocking Profile Matrix (SPM). These items are classified as Standard/Stock because we generally have multiple customers for like items and we produce these products on a continuous basis.
2. We also offer for sale, a wide variety of products that do not meet the criteria for SPM but we have established part numbers along with current pricing for them. These products are manufactured as the result of a specific customer's request and are only built to order. To distinguish between SPM products and these products, we classify them in our computer system as Active Special Order. So that we continue to meet the demands of all customers and stay flexible with our manufacturing mix, these products are only built to order.

In order to ensure that we make the best use of our resources, we find it necessary to establish a firm order cancellation policy and in some cases request a deposit before an order is started in manufacturing.

Any product ordered that is categorized as "*active special order*" will be considered non-cancellable. In addition, we reserve the right to request a deposit on any order that contains items that are designated as "active special order". The status of all parts can be viewed on the E-Dometic website at anytime.

How does this work? Once the order is acknowledged, a deposit is received (if requested) and the parts ordering/manufacturing process is started, these items are non-cancellable.

An exception to the above is the process of Custom Wood Grilles and Custom Plenums. These items can be cancelled up to 5 business days prior to scheduled ship date.

Definitions:

1. Stocking Profile (A) Products that are regularly sold and have activity at least 8 of the last 12 months and sold to multiple customers.
2. Active Special (AS) All items sold or used less than 7 out of the last 12 months or sold only to a single customer.
3. Obsolete (K) Items with no history in the past eighteen months.

All order confirmations clearly indicate if an item ordered is a special order. If you buy direct from Dometic you have access to our E-Dometic site that shows the status of all parts. If you purchase through a dealer or Distributor please contact them in advance of placing your order if you are uncertain about the status of the part you are ordering and have them confirm the status for you.



2000 N. Andrews Ave.
Pompano Beach, FL 33069 USA
Phone 954-973-2477
Fax 954-979-4414

For sales and service within Europe and the Middle East, please call +44 870-330-6101
marinesales@dometic.com

dometic.com

L-3898
Effective 01-08-2018