

## **MARINE 2016 PRICE LIST**

***Direct Expansion Air Conditioning***

***Chilled Water Air Conditioning***

***Grunert • KRA • Adler Barbour • Eskimo Ice***

***Origo Stoves • Sentry Chargers • Condaria Parts***



**Effective Price Date: January 11, 2016**

Prices noted are US list prices and are subject to change without notice.

This price list supercedes all others.



# TABLE OF CONTENTS

## SELF-CONTAINED AIR CONDITIONING PAGE

Dometic Turbo Units (DTU)- Replacements for VTD, STQ, STX units.....	9
Dometic Compact Units (DCU) - Replacements for VCD, SVCD, SQUF and SXUF units.....	11
Dometic Low-profile Units (DLU) - Replacements for VLD, SQL and SXL units.....	11
Dometic EnviroComfort Units (ECD).....	12
Cuddy II DC.....	12



TURBO



COMPACT



LOW-PROFILE



ENVIROCOMFORT



CUDDY II

## SPLIT GAS AIR CONDITIONING - CONDENSERS PAGE

Dometic Emerald Remote Condensing Units (DEU) .....	14
▶ Replacements for ED and EQ units	



## SPLIT GAS AIR CONDITIONING - EVAPORATORS PAGE

TVE Emerald Series TurboVap R-410A Evaporators.....	16
EBE Series R-410A Evaporators.....	16
EBLE Low Profile Draw Through R-410A Evaporators.....	16
EDLE Direct Drive R-410A Cooling units.....	16
EBDE The Breeze Low-profile R-410A Evaporators.....	17
EDL The Breeze Low-profile R-417A Evaporators.....	17
TV TurboVap R-417A Evaporators.....	17



TVE/TV



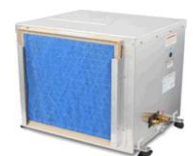
EBE



EBLE



EDLE/EDL



EBDE

## LEGACY SPLIT GAS AIR CONDITIONING - CONDENSERS PAGE

<b>MARINE AIR AUTHORIZED DISTRIBUTORS &amp; DEALERS ONLY</b>	
CSD Series Condensers.....	18



# TABLE OF CONTENTS

## LEGACY SPLIT GAS CONDENSERS & EVAPORATORS PAGE

### CRUISAIR AUTHORIZED DISTRIBUTORS & DEALERS ONLY

RX & R Series Condensing Units.....	19
REU Series Evaporators R-417A.....	20
EBUL Low Profile Draw-Through Series Evaporators R-417A.....	20
EBS Evaporators.....	20
RM Series Modulating Condensing Units.....	20
EHMB Cruisair Modulating Evaporator Units R-417A.....	20
CoolBreeze Boat Exterior Cooling Kits.....	20



RX/R



REU



EBUL



EBS



RM



EHMB



CoolBreeze

## DOMETIC AIR-COOLED AIR CONDITIONING PAGE

Durasea Rooftop Air Cooled Units.....	21
JackBoat Air Cooled Unit (SSA).....	21
Radome Environmental Control Units (HSA).....	21
DuraSea Series Air Cooled Condensers (DCA).....	22



DURASEA  
ROOFTOP



JACKBOAT



RADOME



DURASEA

## CHILLED WATER AIR HANDLERS PAGE

AU AIR HANDLERS.....	24
AU-EU (EUROPEAN VERSION) AIR HANDLERS.....	26
AT HIGH VELOCITY AIR HANDLERS.....	26
ATL DRAW-THROUGH AIR HANDLERS.....	27
ABL HORIZONTAL & ATV VERTICAL DRAW-THROUGH AIR HANDLERS.....	27
FRESH AIR MAKEUP AIR HANDLERS.....	28
AIR HANDLER AND BLOWER ORIENTATION DRAWING (H3050002).....	29



AU



AT



ATL



ABL



ATV



# TABLE OF CONTENTS

## CHILLED WATER AIR CONDITIONING UNITS PAGE

VARC Variable Capacity Chiller.....	30
-------------------------------------	----



### CRUISAIR AUTHORIZED DISTRIBUTORS & DEALERS ONLY

MTCGX Cruisair Titanium Modular Tempering Units R-410A.....	30
MTDX Cruisair Titanium Modular Tempering Units R-410A.....	30
Unit Bases, Frames and Headers MTDX & TWCX.....	31
TWCX Cruisair Titanium Modular Chillers R-410A.....	32



MTCGX



MTDX



TWCX

### MARINE AIR AUTHORIZED DISTRIBUTORS & DEALERS ONLY

MCGX Marine Air Titanium Modular Chillers R-410A.....	33
MCGXLP Marine Air Titanium Low-profile Modular Chillers R-410A.....	33
MCG Unit Bases and Manifolds.....	34
CHCG Marine Air Chiller Compact R-410A.....	34



MCGX



MCGXLP



CHCG

## CHILLED WATER CONTROL PANELS PAGE

PLC Control Panel Packages.....	35
PLC Panel Optional Parts.....	36
STIIC.....	36
PLC-OTS Electric Boxes - Marine Air Systems Only.....	36
Single-Unit MPLC Modular Control Panels for Cruisair.....	37
Dometic Air Handler Control Package.....	37
Additional PLC Control Panel Parts.....	37
Other Chilled Water Accessories.....	37
Variable Frequency Drives & AC Line Reactors.....	38

# TABLE OF CONTENTS

<b>CABIN CONTROLS &amp; ACCESSORIES</b>	<b>PAGE</b>
<b>MARINE AIR DISPLAYS - AUTHORIZED DISTRIBUTORS &amp; DEALERS ONLY</b>	
Display and Sensor Cables.....	39
<b>CRUISAIR DISPLAYS - AUTHORIZED DISTRIBUTORS &amp; DEALERS ONLY</b>	
Display and Network Cables, Adapters and Temperature Sensors.....	40
<b>CRUISAIR DISPLAYS - AUTHORIZED DISTRIBUTORS &amp; DEALERS ONLY</b>	
Cruisair Smart Touch Display.....	42
Cruisair Q LOGIC Display.....	42
Cruisair SMX Display.....	42
Cruisair TWLC Display.....	42
Cruisair Mechanical Displays.....	42
<b>CABIN CONTROLS &amp; ACCESSORIES</b>	<b>PAGE</b>
<b>MARINE AIR DISPLAYS - AUTHORIZED DISTRIBUTORS &amp; DEALERS ONLY</b>	
Marine Air SMART TOUCH Display.....	43
Marine Air ELITE Display.....	43
Marine Air PASSPORT I/O Display.....	43
Marine Air Chilled Water Controls.....	43
Marine Air Mechanical Controls.....	43
<b>DOMETIC DISPLAYS AND ACCESSORIES</b>	
Dometic ENVIROCOOL/ENVIROCOMFORT Display.....	44
Dometic PLC Displays.....	44
Dometic SMART TOUCH Chilled Water Controls.....	44
Dometic ESKIMO ICE Display.....	44
Bezels and Keypad Accessories.....	44
<b>PUMPS &amp; ACCESSORIES</b>	<b>PAGE</b>
Seawater & Circulation Pumps.....	45
Circulated Water Pump Packages.....	46
Pump Accessories.....	46
<b>CRUISAIR PUMPS - AUTHORIZED DISTRIBUTORS AND DEALERS ONLY.....</b>	
Circulating Loop Components.....	50
<b>ADD-ONS AND SPECIALTY UNITS</b>	<b>PAGE</b>
Breathe Easy Air Purifier.....	51
Whisper Fan Controller.....	51
Sound Covers.....	51
Single Phase Smartstart Devices.....	51
Pilot House Defroster.....	51
CRUISAIR SYSTEMS ONLY - Auxiliary Duct Heaters.....	51
Pilot House Defroster Sign Off.....	52
Auxiliary Heaters - Chill Chasers.....	53

# TABLE OF CONTENTS

<b>A/C ACCESSORIES</b>	<b>PAGE</b>
Air Filters.....	54
Grilles.....	55
Flexible Air Duct.....	59
Transition Boxes.....	60
Plastic T's and Y's.....	61
Mount Rings.....	63
Plastic Aluminum Rings and T-Boxes.....	64
Custom Plenum Request Form.....	65
Installation Components.....	66

## REPLACEMENT PARTS SECTION

<b>DX EXPLODED DRAWINGS &amp; TABLES</b>	<b>PAGE</b>
TURBO.....	67
DCU (VCD-SQUF-SXUF)18-27K.....	69
ENVIROCOMFORT (ECD/ECM).....	71
EMERALD CONDENSER 6-16K.....	73
EMERALD CONDENSER 24-48K.....	75
TURBOVAP (TV).....	77
EBE/EBHE.....	79
EBDE.....	81
FLEX DUCT EVAPORATOR.....	81
<b>MARINE AIR AUTHORIZED DISTRIBUTORS ONLY</b>	
CSD/CSM.....	82
<b>CRUISAIR AUTHORIZED DISTRIBUTORS ONLY</b>	
STOWAWAY SH, SX, SHR, SXR.....	83
STOWAWAY SXF, SHF and ZEPHYR.....	84
R TYPE REMOTE CONDENSERS - TABLE ONLY.....	85
RM TYPE REMOTE MODULATING CONDENSERS - TABLE ONLY.....	86

<b>DX REPLACEMENT PARTS INDEX</b>	<b>PAGE</b>
Accumulators.....	87
Base Valves.....	87
Blowers.....	87
Capacitors.....	88
Compressors.....	90
Condensers.....	93
Contactors.....	94
Control & Control Kits.....	94
Drain Pans.....	95
Duct & Install Kits for ECD.....	95
Electrical Box Assemblies.....	95
Evaporator Coil Assemblies.....	95

# TABLE OF CONTENTS

<b>DX REPLACEMENT PARTS INDEX</b>	<b>PAGE</b>
Filter Driers and Fuses.....	96
Heaters and Overloads.....	97
Pressure Switches/Tee Assemblies.....	98
Receiver for Emeralds and CS Remotes.....	99
Relays, Resistors, Reversing Valves.....	99
Solenoid Coil, Start Assist, Strainer with Cap Tube, TX Valve.....	100

<b>CW EXPLODED DRAWINGS &amp; TABLES</b>	<b>PAGE</b>
AU/AU-EU AIR HANDLERS.....	101
ATL AIRHANDLERS.....	103

<b>CHILLED WATER REPLACEMENT PARTS INDEX</b>	<b>PAGE</b>
Adapters, Air handler Parts, Auxiliary Heater Parts.....	105
Blowers.....	106
Capacitor - Blower.....	107
Contactors, Controls And Control Kits.....	107
Current Transducers.....	107
Harness.....	108
Hydromatic Service Sensors.....	108
Indicator Light.....	108
Mechanical 3-Knob Thermostats And Parts.....	108
Power Supplies.....	108
Pressure Relief Valve.....	108
Switches.....	109
Time Delays, Temperature Sensors and Transformers.....	109

<b>CONDARIA CHILLED WATER PARTS</b>	<b>PAGE</b>
Condaria Air Handler Control Parts.....	110
Condaria Chiller Control System Parts.....	111

<b>GRUNERT REFRIGERATION SYSTEMS</b>	<b>PAGE</b>
Docksider & Passage Maker.....	112
Evaporator Plates.....	113
Holdover Plates & Thermostats.....	114
Valves, Pumps and Additional Components.....	115
Parts.....	116

<b>KRA REFRIGERATION UNITS</b>	<b>PAGE</b>
KRA Condensing Units.....	118
Evaporator Tubes.....	118
Suction and Liquid Lines.....	118
Accessories & Parts.....	119



# TABLE OF CONTENTS

<b>ADLER BARBOUR</b>	<b>PAGE</b>
Condensing Units and Evaporators.....	120
Kits and Accessories.....	121
Custom Evaporator Worksheets VD-150, VD-152, VD-154.....	122
<b>ESKIMO ICE</b>	<b>PAGE</b>
EI1000 and EI540 Units.....	125
Replacement Parts for EI1000 and EI540.....	125
Replacement Parts for EI600.....	126
<b>REFRIGERATORS AND FREEZERS</b>	<b>PAGE</b>
Eskimo Cup Cooler, CoolMatic (CR) and Drawer (CRD).....	127
CR & CRD Flanges, CB Built-Ins and CD Drawers.....	128
CF Portable Refrigerators, HZB Portable Ice Makers.....	129
Power Supplies.....	129
Replacement Parts for CR and CF units.....	129
Replacement Parts for R series units.....	131
<b>ORIGO STOVE SERIES</b>	<b>PAGE</b>
Alcohol Stoves, Ovens and Accessories.....	132
<b>BATTERY CHARGERS</b>	<b>PAGE</b>
Sentry FR Series Chargers and Replacement Parts.....	133
<b>PRODUCT CANCELLATION POLICY</b>	<b>PAGE</b>
Dometic Marine's Product Cancellation Policy.....	134

**Note:**

- 1) Due to a manufacturing facility change, part numbers listed in this book are subject to change without notice. Please contact your sales, applications, or service representative if you should have any questions.
  
- 2) Dometic sells a large number of items for dealers, distributors, boat builders, and for international distribution. There are many customer-specific items which are not included in this price list. If you need an item, and can't find it in this list, ask your distributor, dealer or one of the sales staff at Dometic, it may still be available.
  
- 3) If you have a time critical situation, please tell us. We will do our best to facilitate your needs. Please do not request SAME DAY SERVICE unless absolutely necessary.



Due to the EPA mandated phase out of R22 refrigerant, the cost of certain mechanical components used in R417A products has been rising significantly. Also in some cases, these components are no longer available. Therefore the price of these products will likely be increased during 2015 and availability may be an issue. **THEREFORE WE RECOMMEND CHECKING PRICE AND AVAILABILITY OF R417A PRODUCTS BEFORE PLACING AN ORDER.**

# Self-Contained Air Conditioning

**Dometic Turbo Units (DTU) are direct replacements for all VT and ST units.**

**All Units include inside temperature sensor. Display cable NOT included.**

## 115V 60HZ Units

NEW DOMETIC P/N	New Description	LIST PRICE (USD)	Replaces Cruisair & Marine Air P/N	Old Description
205160060	DTU6 115V 60HZ 410A	\$2,260.00	205561250 205561255 205561200	STQ6-410A 115V 60HZ ONLY STX6-410A 115V 60HZ ONLY VTD6K-410A 115V 60HZ ONLY
205160080	DTU8 115V 60HZ 410A	\$2,420.00	205561350 205561355 205561300	STQ8-410A 115V 60HZ ONLY STX8-410A 115V 60HZ ONLY VTD8K-410A 115V 60HZ ONLY
205160100	DTU10 115V 60HZ 410A	\$2,645.00	205561450 205561455 205561400	STQ10-410A 115V 60HZ ONLY STX10-410A 115V 60HZ ONLY VTD10K-410A 115V 60HZ ONLY
205160120	DTU12 115V 60HZ 410A	\$2,725.00	205561550 205561555 205561500	STQ12-410A 115V 60HZ ONLY STX12-410A 115V 60HZ ONLY VTD12K-410A 115V 60HZ ONLY
205160160	DTU16 115V 60HZ 410A	\$2,855.00	205561750 205561755 205561700	STQ16-410A 115V 60HZ ONLY STX16-410A 115V 60HZ ONLY VTD16K-410A 115V 60HZ ONLY

## 115V 60HZ Turbo Units with Smart Start

205160063	DTU6 115V 60HZ 410A SMRTSTRT	\$2,610.00	205561203	VTD6K-410A 115V SMRTSTART
205160083	DTU8 115V 60HZ 410A SMRTSTRT	\$2,770.00	205561352 205561303	STQ8-410A 115V 60HZ SMRTSTRT VTD8K-410A 115V 60HZ W/SMRTST
205160103	DTU10 115V 60HZ 410A SMRTSTRT	\$2,995.00	205561452 205561403	STQ10-410A 115V SMRTSTRT-ONBX VTD10K-410A 115V SMRTSTART
205160123	DTU12 115V 60HZ 410A SMRTSTRT	\$3,075.00	205561552 205561556 205561503	STQ12-410A 115V SMRTSTRT-ONBX STX12-410A 115V 60HZ SMRTSTRT VTD12K-410A 115V SMRTSTART
205160163	DTU16 115V 60HZ 410A SMRTSTRT	\$3,205.00	205561753 205561756 205561705	STQ16-410A 115V SMRTSTRT-ONBX STX16-410A 115V 60HZ SMRTSTRT VTD16K-410A 115V 60HZ SMRTSTR

## 220V 50HZ Turbo Units with Hose Adapter

205161061	DTU6 220V 50HZ 410A 4MR	\$2,420.00	205562201 205562251	VTD6KZ50-410A AS 4"MR 220V/5 STQ6CK-410A 4"MR 220V/50HZ
205161081	DTU8 220V 50HZ 410A 5MR	\$2,560.00	205562301 205562351	VTD8KZ50-410A 7"AS 5MR 220/50 STQ8CK-410A 5MR 220V 50HZ
205161101	DTU10 220V 50HZ 410A 6MR	\$2,755.00	205562401 205562451 205562402	VTD10KZ50-410A 7"AS 6MR 220/5 STQ10CK-410A 6"MR 220V 50HZ VTD10KZ50-410A 6"MR 220V 50HZ
205161121	DTU12 220V 50HZ 410A 6MR	\$2,855.00	205562551 205562501	STQ12CK-410A 6MR 220V 50HZ VTD12KZ50-410A 7"AS 6MR 220/5
205161161	DTU16 220V 50HZ 410A 7MR	\$3,165.00	205562701 205562751 205562756	VTD16KZ50-410A 7"AS 7"MR 220V/ STQ16CK-410A 7"MR 220V 50HZ STX16CK-410A 7"MR 220V 50HZ

# Self-Contained Air Conditioning

<b>230V 60HZ Turbo Units</b>				
<b>NEW DOMETIC P/N</b>	<b>New Description</b>	<b>LIST PRICE (USD)</b>	<b>Replaces Cruisair &amp; Marine Air P/N</b>	<b>Old Description</b>
205162060	DTU6 230V 60HZ 410A	\$2,365.00	205563250 205563255 205563200	STQ6C-410A 230V 60HZ STX6C-410A 230V 60HZ VTD6KZ-410A 230V 60HZ
205162080	DTU8 230V 60HZ 410A	\$2,450.00	205563350 205563355 205563300	STQ8C-410A 230V 60HZ STX8C-410A 230V 60HZ VTD8KZ-410A 230V 60HZ
205162100	DTU10 230V 60HZ 410A	\$2,660.00	205563450 205563455 205563400	STQ10C-410A 230V 60HZ STX10C-410A 230V 60HZ VTD10KZ-410A 230V 60HZ
205162120	DTU12 230V 60HZ 410A	\$2,740.00	205563550 205563555 205563500	STQ12C-410A 230V 60HZ STX12C-410A 230V 60HZ VTD12KZ-410A 230V 60HZ
205612160	DTU16 230V 60HZ 410A	\$2,885.00	205563750 205563755 205563700	STQ16C-410A 230V 60HZ STX16C-410A 230V 60HZ VTD16KZ-410A 230V 60HZ
<b>230V 60HZ Turbo Units with Hose Adapter</b>				
205162061	DTU6 230V 60HZ 410A 4MR	\$2,420.00	205563202	VTD6KZ-410A 7"AS 4"MR 230V 60H
205162081	DTU8 230V 60HZ 410A 5MR	\$2,505.00	205563301 205563351	VTD8KZ-410A AS 5"MR 230V/60 STQ8C-410A 5"MR 230V 60HZ
205162101	DTU10 230V 60HZ 410A 6MR	\$2,715.00	205563401 205563451	VTD10KZ-410A 6"MR 230V/60 STQ10C-410A 6"MR 230V 60HZ
205162121	DTU12 230V 60HZ 410A 6MR	\$2,795.00	205563552 205563501	STQ12C-410A 6"MR 230V 60HZ VTD12KZ-410A AS 6"MR 230V/6
205612161	DTU16 230V 60HZ 410A 7MR	\$2,940.00	205563702 205563753	VTD16KZ-410A AS 7"MR 230/60 STQ16C-410A 7"MR 230V 60HZ
<b>230/220V Turbo Units with Smart Start</b>				
205162123	DTU12 230V 60HZ 410A SMRTSTRT	\$3,090.00	205563503	VTD12KZ-410A 230V SMRTSTART
205612163	DTU16 230V 60HZ 410A SMRTSTRT	\$3,235.00	205563760 205563703	STQ16C-410A 230V SMRTSTRT-ONBX VTD16KZ-410A 230V 60HZ SMRTST
205161123	DTU12 220V 50HZ 410A SMRTSTRT	\$3,175.00	205562503	VTD12KZ50-410A SMRTSTART
205161163	DTU16 220V 50HZ 410A SMRTSTRT	\$3,460.00	205562703	VTD16KZ50-410A SMRTSTART
<b>Aluminum RA Plenums for Turbo Units</b>				
<b>Item No.</b>	<b>List Price USD</b>	<b>Description</b>		
229801121	\$145.00	Plenum ALM RA TURBO 6/8K No Ring		
229801129	\$250.00	Plenum ALM RA TURBO 6/8K 10"MR		
229801093	\$155.00	Plenum ALM RA TURBO 10/12K No Ring		
229801094	\$250.00	Plenum ALM RA TURBO 10/12K 12"MR		
229801257	\$200.00	Plenum ALM RA TURBO 14/16K No Cut/No Ring		
229801124	\$170.00	Plenum ALM RA TURBO 14/16K No Ring		
229801095	\$265.00	Plenum ALM RA TURBO 14/16K 12"MR		
229801519	\$210.00	Plenum ALM RA TURBO 14/16K 6"Oblong x2		

# Self-Contained Air Conditioning

**Dometic Compact Units (DCU) are direct replacements for all SQUF, SXUF, VCD and SVCD units. All units include stainless steel drain pan, mounted elec. box and 5' temp sensor.**

NEW DOMETIC P/N	New Description	LIST PRICE (USD)	Replaces Cruisair & Marine Air P/N	Old Description
205600818	DCU18K 115V 60HZ 410A	\$3,695.00	205511700 205410020 205410005 205410006	SQUF18-HV-410A RTBX 115V 60HZ SXUF18-HV 410A RMTBX 60HZ ONLY VCD18K-HV-410A 115V SVCD18K-HV-410A 115V
205600820	DCU18K 220V 50HZ 410A 7"MR	\$3,895.00	205410018 205410032 205410030 205410029	SQUF18CK-HV 410A RMBX 220V 50 SXUF18CK/1-HV 410A RMTBX 220V_ VCD18KZ50-HV-410A 220V SVCD18KZ50-HV-410A 220V
205600828	DCU27K 220V 50HZ 410A 8"MR	\$4,955.00	205410016 205410015 205410070	SQUF27CK-HV 410A RTBX 220V 50 VCD27SZ50-HV-410A 220V 50HZ SXUF27CK-HV 410A RMTBX 220V 50
205600873	DCU30K 220V 50HZ 410A HRST HRZ/OP 6"MR	\$6,360.00	205511931	SVCD30SZ50/1-HV 410A 6"MR 220
205600819	DCU18K 230V 60HZ 410A	\$3,695.00	205511702 205410034 205410010 205410009	SQUF18C-HV-410A RMTBX 230V SXUF18C-HV-410A RMTBX 230V VCD18KZ-HV-410A 230V SVCD18KZ-HV-410A 230V
205600827	DCU27K 230V 60HZ 410A	\$4,755.00	205511800 205410036 205410000 205511806	SQUF27C-HV-410A RMTBX 230V SXUF27C-HV 410A RMTBX 230V VCD27SZ/1-HV 410A 230V SVCD27SZ/1-HV 410A 230V
205600830	DCU30K 230V 60HZ 410A HRST HRZ/OP 6"MR	\$5,720.00	205511930	SVCD30SZ/1-HV 410A 6"MR 230V

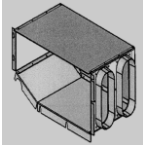
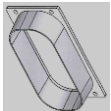
## VIBRATION ISOLATION KITS

Item Number	List Price (USD)	Description
293013215	\$135.00	KIT DCU18 VIB ISO 35LB
293013216	\$150.00	KIT DCU18 VIB ISO 45LB

**Dometic Low Profile Units (DLU) are direct replacements for all SQL, SXL, & VLD units**

NEW DOMETIC P/N	New Description	LIST PRICE (USD)	Replaces Cruisair & Marine Air P/N	Old Description
205600601	DLU16K 115V 60HZ 410A	\$ 3,735.00	205511600 205511601 205410003	SQL16 410A LOW PROFILE 115V SXL16K LOW PROFILE 410A 115V VLD16K-410A LOW PROFILE 115V
205600603	DLU16K 220V 50HZ 410A	\$ 3,935.00	205410022 205511604 205510833	SQL16CK 410A LP 220V/50HZ SXL16CK-410A LOW PROFILE VLD16KZ50-410A LOW PROFIL 220
205600602	DLU16K 230V 60HZ 410A	\$ 3,735.00	205410012 205511605 205410013	SQL16C 410A LOW PROFILE 230V SXL16C-410A LOW PROFILE VLD16KZ-410A LOW PROFILE 230V

## Dometic Low-Profile Plenums & Transition Ring

Item Number	List Price (USD)	Description	229000005	228700089
229000005	\$335.00	Plenum ALM 5" Rect@2 Side Discharge		
229000006	\$255.00	Plenum ALM 5" OBX2 Up Flow		
229000007	\$255.00	Plenum ALM 5" OBX2 Down Flow		
228700089	\$37.00	Ring ABS Trans 5" OB Short Flange		



# Self-Contained Air Conditioning

## EnviroComfort Self Contained Units, R410A

<u>Item Number</u>	<u>List Price (USD)</u>	<u>Description</u>
<b>RETROFIT KITS (UNIT AND CONTROL)</b>		
207500001	\$1,999.00	ECD3.5KC/1-HV 134A Kit, 115V 60Hz
207500306	\$2,025.00	ECD6K/1-HV 410A KIT, 115V 60Hz
207500310	\$2,250.00	ECD10K/1-HV 410A KIT, 115V 60Hz
207500316	\$2,420.00	ECD16K/1-HV 410A KIT, 115V 60Hz
207500307	\$2,180.00	ECD6KZ/1-HV 410A KIT, 230V 60Hz
207500010	\$2,330.00	ECD10KZ/1-HV 410A KIT, 230V 60Hz
207500017	\$2,450.00	ECD16KZ/1-HV 410A KIT, 230V 60Hz
<b>INSTALLATION KIT (PUMP, GRILLES, DUCT, AND HARDWARE)</b>		
218000106	\$1,080.00	Install Kit 6K for ECD6K/1-HV
218000110	\$1,135.00	Install Kit 10K for ECD10K/1-HV
218000116	\$1,215.00	Install Kit 16K for ECD16K/1-HV
218000117	\$1,240.00	Install Kit 16KZ for ECD16KZ/1-HV
<b>DUAL DUCT KIT (For EnviroCool and EnviroComfort)</b>		
226600094	\$150.00	Dual Duct Kit 6K Enviro Units
226600092	\$150.00	Dual Duct Kit 10K & 16K Enviro Units



## Cuddy II

<u>Item Number</u>	<u>List Price (USD)</u>	<u>Description</u>
<b>CUDDY II (UNIT ONLY)</b>		
207501012	\$4,995.00	CDB3.5K-12VDC 134A 4"MR
218000120	\$1,505.00	Installation Kit for CDB3.5K includes pump and OLED Display
222104040	\$505.00	OLED Gray 4-wire 12V T-STAT with harness CDB3.5
222104041	\$165.00	LCD White 5-wire 12V T-STAT with harness CDB3.5
337201	\$290.00	Pump 12VDC 1.5GPM Diaphragm



OLED display

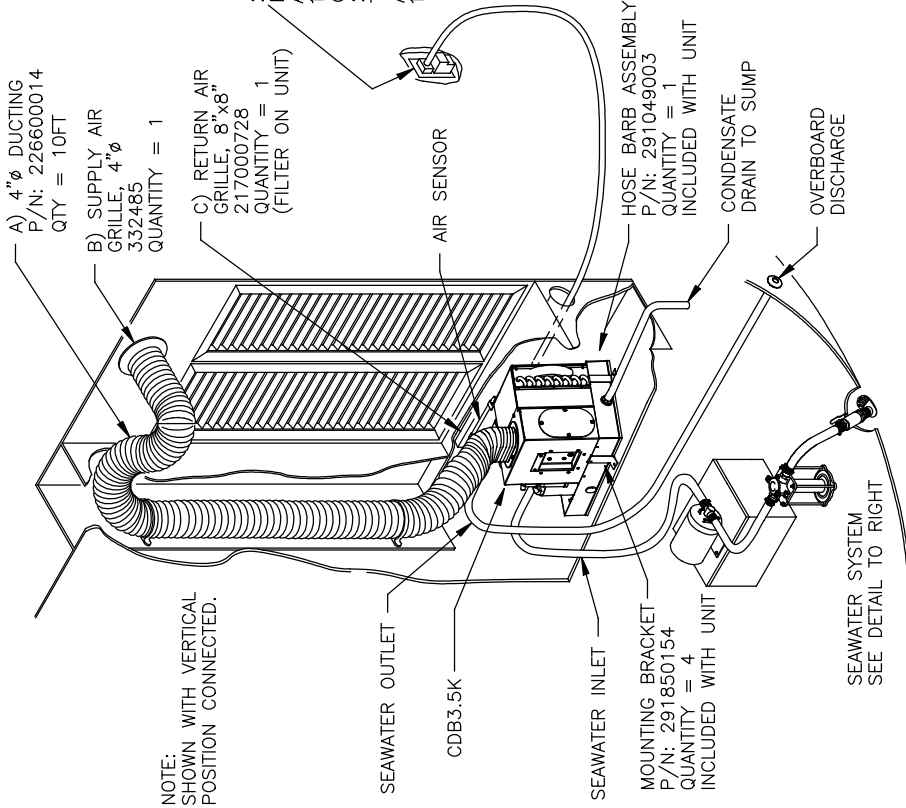


LCD display



# CDB3.5K INSTALLATION KITS

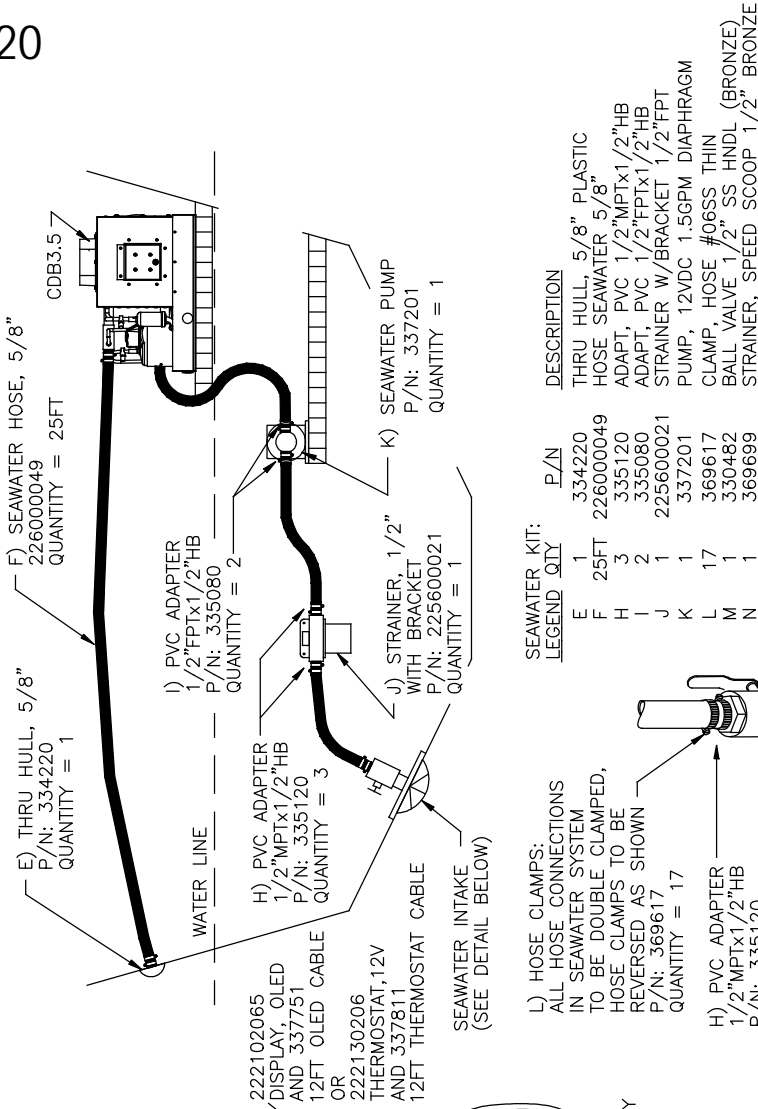
## DUCT KIT INSTALLATION



DUCT KIT: LEGEND	QTY	P/N	DESCRIPTION
A	10FT	226600014	DUCTING, INSULATED 4"
B	1	332485	GRILL, SUPPLY, CIRCULAR 4"
C	1	217000728	8X8TRAF MF PAINTED WHITE

- INSTALLATION NOTES:
- DO NOT INSTALL AIR CONDITIONER IN BILGE OR ENGINE ROOM AREAS. DO NOT TERMINATE CONDENSATE DRAIN LINE IN BILGE OR ANY AREA THAT MAY BE EXPOSED TO ENGINE OR GENERATOR EXHAUST FUMES. A/C UNIT MUST BE SEALED FROM ANY EXHAUST OR BILGE VAPORS.
  - INSTALL RETURN AIR GRILLE LOW AND SUPPLY AIR GRILLE HIGH.
  - SUPPLY AIR GRILLE SHOULD NOT BLOW TOWARD RETURN AIR GRILLE. DUCTING SHOULD BE INSTALLED AS SMOOTH AND TAUT AS POSSIBLE. TRIM ANY EXCESS, AVOID ANY UNNECESSARY BENDS OR LOOPS.

## SEAWATER KIT INSTALLATION



- NOTES:
- SEAWATER SYSTEM MUST HAVE A STEADY UPWARD FLOW FROM INLET TO AIR CONDITIONER.
  - HOSES MUST NOT HAVE KINKS, LOOPS OR HIGH SPOTS WHERE AIR CAN BE TRAPPED.
  - PUMP AND STRAINER MUST BE BELOW WATER LINE AND STRAINER MUST BE BELOW PUMP.
  - SPEED SCOOP SHOULD BE INSTALLED AS FAR BELOW THE WATER LINE AND AS CLOSE TO THE KEEL AS POSSIBLE, FACING FORWARD.
  - AVOID OR MINIMIZE 90° BENDS OR ELBOWS AS MUCH AS POSSIBLE. ROTATE PUMP HEAD TOWARD DIRECTION OF WATER FLOW.
  - ELECTRICAL CONNECTIONS SHOULD BE DONE BY QUALIFIED PERSONNEL ONLY.

# Emerald Split Gas Condensing Units

## **Dometic Emerald Units, R410A**

**The DEU units are direct replacements for all ED and EQ units.**

<b>NEW DOMETIC P/N</b>	<b>New Description</b>	<b>LIST PRICE (USD)</b>	<b>Replaces Cruisair/ Marine Air P/N</b>	<b>Old Description</b>
<b>115V 60HZ</b>				
201150060	DEU6 115V 60HZ	\$2,440.00	712206100 712106100	ED6U-410 115V/60/1 EQ6U-410 115V/60/1
201150080	DEU8 115V 60HZ	\$2,440.00	712208100 712108100	ED8U-410 115V/60/1 EQ8U-410 115V/60/1
201150100	DEU10 115V 60HZ	\$2,600.00	712210100 712110100	ED10U-410 115V/60/1 EQ10U-410 115V/60/1
201150120	DEU12 115V 60HZ	\$2,685.00	712212100 712112100	ED12U-410 115V/60/1 EQ12U-410 115V/60/1
201150160	DEU16 115V 60HZ	\$2,785.00	712216100 712116100	ED16U-410 115V/60/1 EQ16U-410 115V/60/1
<b>230V 60HZ</b>				
201152060	DEU6 230V 60HZ	\$2,440.00	712206200 712106200	ED6-410 230V/60/1 EQ6U-410 230V/60/1
201152080	DEU8 230V 60HZ	\$2,440.00	712208200 712108200	ED8U-410 230V/60/1 EQ8U-410 230V/60/1
201152100	DEU10 230V 60HZ	\$2,600.00	712210200 712110200	ED10U-410 230V/60/1 EQ10U-410 230V/60/1
201152120	DEU12 230V 60HZ	\$2,685.00	712212200 712112200	ED12U-410 230V/60/1 EQ12U-410 230V/60/1
201152160	DEU16 230V 60HZ	\$2,785.00	712216200 712116200	ED16U-410 230V/60/1 EQ16U-410 230V/60/1
201152240	DEU24 230V 60HZ	\$3,815.00	712224200 712124200	ED24U-410 230V/60/1 EQ24U-410 230V/60/1
201152300	DEU30 230V 60HZ	\$4,265.00	712230200 712130200	ED30U-410 230V/60/1 EQ30U-410 230V/60/1
201152360	DEU36 230V 60HZ	\$4,575.00	712236200 712136200	ED36U-410 230V/60/1 EQ36U-410 230V/60/1
201152480	DEU48 230V 60HZ	\$5,195.00	712248200 712148200	ED48-410 230V/60/1 EQ48U-410 230V/60/1
<b>230V 60HZ with Smart Start</b>				
201152123	DEU12 230V 60HZ SMRTSTRT	\$3,145.00	712212202	ED12U-410 230V/60/1 SMRTSTRT
201152163	DEU16 230V 60HZ SMRTSTRT	\$3,245.00	712216203	ED16U-410 230V/60/1 SMRTSTRT
201152243	DEU24 230V 60HZ SMRTSTRT	\$4,275.00	712224201 712124203	ED24U-410 230V/60/1 SMRTSTRT EQ24-410 230V/60/1 SMRTSTRT
201152303	DEU30 230V 60HZ SMRTSTRT	\$4,725.00	712230201 712130202	ED30U-410 230V/60/1 SMRTSTRT EQ30U-410 230V/60/1 SMRTSTRT
201152363	DEU36 230V 60HZ SMRTSTRT	\$5,035.00	712236201 712136201	ED36U-410 230V/60/1 SMRTSTRT EQ36U-410 230V/60/1 SMRTSTRT
201152483	DEU48 230V 60HZ SMRTSTRT	\$5,655.00	712248203 712148201	ED48-410 230V/60/1 SMRTSTRT EQ48-410 230V/60/1 SMRTSTRT

# Emerald Split Gas Condensing Units

## **Dometic Emerald Units, R410A**

**The DEU units are direct replacements for all ED and EQ units.**

<b>NEW DOMETIC P/N</b>	<b>New Description</b>	<b>LIST PRICE (USD)</b>	<b>Replaces Cruisair/ Marine Air P/N</b>	<b>Old Description</b>
<b>220V 50HZ</b>				
201151060	DEU6 220V 50HZ	\$2,500.00	712206300 712106300	ED6-410 220V/50/1 EQ6-410 220V/50/1
201151080	DEU8 220V 50HZ	\$2,500.00	712208300 712108300	ED8-410 220V/50/1 EQ8-410 220V/50/1
201151100	DEU10 220V 50HZ	\$2,665.00	712210300 712110300	ED10-410 220V/50/1 EQ10-410 220V/50/1
201151120	DEU12 220V 50HZ	\$2,745.00	712212300 712112300	ED12-410 220V/50/1 EQ12-410 220V/50/1
201151160	DEU16 220V 50HZ	\$2,960.00	712216300 712116300	ED16-410 220V/50/1 EQ16-410 220V/50/1
201151240	DEU24 220V 50HZ	\$3,885.00	712224300 712124300	ED24-410 220V/50/1 EQ24-410 220V/50/1
201151300	DEU30 220V 50HZ	\$4,370.00	712230300 712130300	ED30-410 220V/50/1 EQ30-410 220V/50/1
201151360	DEU36 220V 50HZ	\$4,685.00	712236300 712136300	ED36-410 220V/50/1 PASSPORT EQ36-410 220V/50/1
201151480	DEU48 220V 50HZ	\$5,435.00	712248300 712148300	ED48-410 220V/50/1 PASSPORT EQ48-410 220V/50/1
201151600	DEU60 220V 50HZ	\$7,245.00	712260300 712160300	ED60-410 220V/50/1 PASSPORT EQ60-410 220V/50/1
201151720	DEU72 220V 50HZ	\$6,435.00	712172300	EQ72-410 220V/50/1 Q-LOGIC
<b>220V 50HZ with Smart Start</b>				
201151123	DEU12 220V 50HZ SMRTSTRT	\$3,205.00	712212301	ED12-410 220V/50/1 SMRTSTRT
201151163	DEU16 220V 50HZ SMRTSTRT	\$3,420.00	712216301	ED16-410 220V/50/1 SMRTSTRT
201151243	DEU24 220V 50HZ SMRTSTRT	\$4,345.00	712224301	ED24-410 220V/50/1 SMRTSTRT
201151303	DEU30 220V 50HZ SMRTSTRT	\$4,830.00	712230301	ED30-410 240V/50/1 SMRTSTRT
201151363	DEU36 220V 50HZ SMRTSTRT	\$5,145.00	712236301	ED36-410 220V/50/1 SMRTSTRT
201151483	DEU48 220V 50HZ SMRTSTRT	\$5,895.00	712248302	ED48-410 220V/50/1 SMRTSTRT
201151723	DEU72 220V 50HZ SMRTSTRT	\$6,895.00		





# Split Gas Evaporators

## ***Emerald Series TurboVap Units, R410A***

<u>Item Number</u>	<u>List Price (USD)</u>	<u>Description</u>
215612000	\$1,050.00	TVE4, R410A 115V
215612100	\$1,050.00	TVE6, R410A 115V
215612200	\$1,050.00	TVE8, R410A 115V
215612300	\$1,100.00	TVE10, R410A 115V
215612400	\$1,130.00	TVE12, R410A 115V
215612500	\$1,205.00	TVE16, R410A 115V
215613000	\$1,050.00	TVE4, R410A 230V
215613100	\$1,050.00	TVE6, R410A 230V
215613200	\$1,050.00	TVE8, R410A 230V
215613300	\$1,100.00	TVE10, R410A 230V
215613400	\$1,130.00	TVE12, R410A 230V
215613500	\$1,205.00	TVE16, R410A 230V



## ***Emerald Series TurboVap Units, R410A w/Hose Adapter***

215613005	\$1,080.00	TVE4, R410A 4"MR 230V
215613105	\$1,080.00	TVE6, R410A 5"MR 230V
215613205	\$1,080.00	TVE8, R410A 5"MR 230V
215613305	\$1,130.00	TVE10, R410A 6"MR 230V
215613405	\$1,160.00	TVE12, R410A 6"MR 230V
215613505	\$1,235.00	TVE16, R410A 7"MR 230V

**Note:** TVE units also available with right hand configuration. Call for part number and pricing.

## ***EBE Series Evaporator Units, R410A***

<u>Item Number</u>	<u>List Price (USD)</u>	<u>Description</u>
215400518	\$2,365.00	EBE18-230V, 50/60Hz
215400524	\$2,710.00	EBE24-230V, 50/60Hz
215400530	\$3,095.00	EBE30-230V, 50/60Hz
215400536	\$3,160.00	EBE36-230V, 50/60Hz



**\*Note:** EBE and EBLE also available in some models with electric heat. Call for availability and pricing.

## ***EBLE Low Profile Draw-Through Series Evaporator Units, R410A***

<u>Item Number</u>	<u>List Price (USD)</u>	<u>Description</u>
215400412	\$2,520.00	EBLE12-230V, 2 HV Blowers
215400415	\$2,630.00	EBLE16-115V, 2 HV Blowers
215400416	\$2,630.00	EBLE16-230V, 2 HV Blowers
215400424	\$3,135.00	EBLE24-230V, 2 HV Blowers
215400430	\$3,400.00	EBLE30-230V, 2 HV Blowers
215400436	\$3,640.00	EBLE36-230V, 2 HV Blowers

### **EBLE Units with Plenum Installed**

215400417	\$3,110.00	EBLEP16-230V, with Plenum
215400425	\$3,555.00	EBLEP24-230V, with Plenum
215400431	\$4,005.00	EBLEP30-230V, with Plenum, 1/2" Ins
215400437	\$4,180.00	EBLEP36-230V, with Plenum




## ***EDLE The Breeze Low Profile Evaporator Units, R410A***


<u>Item Number</u>	<u>List Price (USD)</u>	<u>Description</u>
215400316	\$2,175.00	EDLE16-230V, low pro evap
215400319	\$2,445.00	EDLE16-QD 230V, low pro evap




# Split Gas Evaporators

<b>EBDE Direct-Drive Cooling Units, R410A</b>			
<u>Item Number</u>	<u>List Price (USD)</u>	<u>Description</u>	
215400636	\$3,850.00	EBDE36V-230V, Vertical Discharge	
215400648	\$4,060.00	EBDE48V-230V, Vertical Discharge	
215400660	\$4,530.00	EBDE60V-230V, Vertical Discharge	
215400673	\$4,640.00	EBDE72V-220V, Vertical Discharge	

**\*Note: EBDE also available in additional sizes. Call for availability and pricing.**

<b>EDL The Breeze Low Profile Evaporator Units, R417A</b>			
<u>Item Number</u>	<u>List Price (USD)</u>	<u>Description</u>	
215311770	Call For Pricing	EDL16, low pro evap, 115V	
215311870	\$2,225.00	EDL16C, low pro evap 230V	

<b>TurboVap Units, R417A</b>			
<u>Item Number</u>	<u>List Price (USD)</u>	<u>Description</u>	
215412000	\$995.00	TV4, R-417A , 115V	
215412100	\$995.00	TV6, R-417A , 115V	
215412200	\$995.00	TV8, R-417A , 115V	
215412300	\$1,050.00	TV10, R-417A , 115V	
215412400	\$1,085.00	TV12, R-417A , 115V	
215412500	\$1,155.00	TV16, R-417A , 115V	
215413000	\$995.00	TV4, R-417A , 230V	
215413100	\$995.00	TV6, R-417A , 230V	
215413200	\$995.00	TV8, R-417A , 230V	
215413300	\$1,050.00	TV10, R-417A , 230V	
215413400	\$1,085.00	TV12, R-417A , 230V	
215413500	\$1,155.00	TV16, R-417A , 230V	

**Note: TV units also available with right hand configuration. Call for part number and pricing.**

## Accessories for TurboVap Units

<b>Tube Extensions for TurboVaps</b>		
<u>Item No.</u>	<u>List Price USD</u>	<u>Description</u>
221300318	\$220.00	3' 1/4 x 3/8 ins fl2 (TurboVap 4-12K)
221300319	\$230.00	3' 3/8 x 1/2 ins fl2 (TurboVap 16K)
<b>Aluminum RA Plenums for TurboVap Units</b>		
229801627	\$125.00	Plenum ALM RA TV4K 8" Ring
229801520	\$130.00	Plenum ALM RA TV6/8K 10" Ring
229000038	\$170.00	Plenum ALM RA TV10/12K 12" Ring
229000034	\$175.00	Plenum ALM RA TV16K 12" Ring
<b>Refrigerant Distribution Manifolds</b>		
238100038	\$325.00	SD8-6(3) Suction Distributor 1/2 IN X (3) 3/8 OUT
238100047	\$410.00	SD12-8, Suction Distributor 3/4" IN X (5) 1/2"
238100048	\$290.00	DD4, Discharge Distributor 3/8" IN X (5) 1/4" OUT
238100037	\$320.00	DD6-4(3) Discharge Distributor 3/8" IN X (3) 1/4" OUT

# Legacy Split Gas Condensers

## Marine Air Authorized Distributors Only

<b>CSD Condensing Unit (6-48K), R417A</b>		
<b>Item Number</b>	<b>List Price (USD)</b>	<b>Description</b>
206411100	\$3,160.00	CSD6UK/1 417A 115V 60HZ
206411200	\$3,025.00	CSD9UK 417A 115V 60HZ
206411300	\$3,120.00	CSD12UK/1 417A 115V 60HZ
206411400	\$3,230.00	CSD16UK/1 417A 115V 60HZ
201411100	\$3,160.00	CSD6UKZ/1 417A 230V 60HZ
201411200	\$3,025.00	CSD9UKZ/1 417A 230V 60HZ
201411300	\$3,120.00	CSD12UKZ/1 417A 230V 60HZ
201411400	\$3,230.00	CSD16UKZ/1 417A 230V 60HZ
201411500	\$4,810.00	CSD24URZ/1 417A 230V 60HZ
201411600	\$5,300.00	CSD30URZ/1 417A 230V 60HZ
201411700	\$5,870.00	CSD36URZ/1-417A 230V 60HZ
201411800	\$6,420.00	CSD48URZ/1-417A 230V 60HZ
201411150	\$2,930.00	CSD6UKZ50/1-417A 220V 50HZ
201411250	\$3,090.00	CSD9UKZ50/1-417A 220V 50HZ
201411350	\$3,185.00	CSD12UKZ50/1 417A 220V 50HZ
201411450	\$3,420.00	CSD16UKZ50/1 417A 220V 50HZ
201411550	\$4,885.00	CSD24URZ50/1 417A 220V 50HZ
201411650	\$5,530.00	CSD30URZ50/1 417A 220V 50HZ
201411750	\$6,100.00	CSD36URZ50/1-417A 220V 50HZ
201411850	\$6,690.00	CSD48URZ50/1-417A 220V 50HZ

Condensing units are also available with mechanical control or Smart Start.  
Please contact your sales representative for part number and price.



# Legacy Split Gas Condensers and Evaporators

## Cruisair Authorized Distributors Only

### **RX Series Condensing Unit (5-48K), R417A with SMXII Control (Display Not Included)**

<u>Item Number</u>	<u>List Price (USD)</u>	<u>Description</u>
701307100	\$3,220.00	RX7U-417, 115V 60HZ
701310101	\$3,080.00	RX10U-417, 115V 60HZ
701312100	\$3,180.00	RX12U-417, 115V 60HZ
701316101	\$3,295.00	RX16U-417, 115V 60HZ
701307201	\$3,220.00	RX7UC-417, 230V/60HZ
701310200	\$3,080.00	RX10UC-417, 230V/60HZ
701312201	\$3,180.00	RX12UC-417, 230V/60HZ
701316201	\$3,295.00	RX16UC-417, 230V/60HZ
701320303	\$4,540.00	RX20UC-417, 230V/60HZ
701320306	\$4,540.00	RX24UC-417, 230V/60HZ
701330308	\$5,025.00	RX30UC-417, 230V/60HZ
701336304	\$5,485.00	RX36UC-417, 230V/60HZ
701348307	\$6,270.00	RX48UC-417, 230V/60HZ
701307302	\$2,985.00	RX7UCK-417, 240V/50HZ
701310301	\$3,150.00	RX10UCK-417, 240V/50HZ
701312302	\$3,240.00	RX12UCK-417, 240V/50HZ
701316302	\$3,500.00	RX16UCK-417, 240V/50HZ
701320305	\$4,600.00	RX20UCK-417, 240V/50HZ
701320308	\$4,600.00	RX24UCK-417, 240V/50HZ
701330309	\$5,140.00	RX30UCK-417, 240V/50HZ
701336303	\$5,600.00	RX36UCK-417, 240V/50HZ
701348305	\$6,475.00	RX48UCK-417, 240V/50HZ



Units also available in 380V 50HZ 3 phase

**CHECK PRICING AND AVAILABILITY BEFORE PLACING AN ORDER.**


### **R Series Condensing Units, R417A with Mechanical Control (Not Included)**


<u>Item Number</u>	<u>List Price (USD)</u>	<u>Description</u>
701107100	\$2,965.00	R7-417 - 115V/60HZ
701110101	\$2,845.00	R10-417 - 115V/60HZ
701112102	\$2,940.00	R12-417 - 115V/60HZ
701116102	\$3,060.00	R16-417 - 115V/60HZ
701107200	\$2,965.00	R7C-417 - 230V/60HZ
701110200	\$2,845.00	R10C-417 - 230V/60HZ
701112200	\$2,940.00	R12C-417 - 230V/60HZ
701116200	\$3,080.00	R16C-417 - 230V/60HZ
701120201	\$4,300.00	R20C-417 - 230V/60HZ
701124201	\$4,570.00	R24C-417 - 230V/60HZ
701130201	\$4,795.00	R30C-417 - 230V/60HZ
701136201	\$5,245.00	R36C-417 - 230V/60HZ
701148201	\$6,065.00	R48C-417 - 230V/60HZ
701112300	\$3,005.00	R12CK-417 - 240V/50HZ
701116300	\$3,265.00	R16CK-417 - 240V/50HZ
701024503	\$4,815.00	R24DC-417 - 230V/60HZ/3PH
701336305	\$5,715.00	R36DC-417 - 230V/60HZ/3PH
701148500	\$6,900.00	R48DC-417 - 230V/60HZ/3PH
701136602	\$6,070.00	R36E-417 - 460V/60HZ/3PH
701148601	\$5,600.00	R48E-417 - 460V/60HZ/3PH
701148801	\$6,295.00	R48ECK-417 - 380V/50HZ/3PH





# Legacy Split Gas Condensers and Evaporators


## Cruisair Authorized Distributors Only

<b>RE/REU Series Evaporator Units, R417A</b>			
<u>Item Number</u>	<u>List Price (USD)</u>	<u>Description</u>	
715012423	\$2,245.00	REU20C 230/60/1	
715012004	\$2,245.00	REU20C-7"MR 230/60/1	
715012404	\$2,410.00	REU24C - 230/50-60/1	
715013003	\$3,035.00	REU30C - 230/50-60/1	
715013601	\$3,035.00	RE36C 36K REMOTE EVAP 230/1	


<b>EBUL Low Profile Draw-Through Series Evaporator Units, R417A</b>			
<u>Item Number</u>	<u>List Price (USD)</u>	<u>Description</u>	
715041603	\$2,285.00	EBUL16, 115V, 2 HV Blowers	
715041604	\$2,390.00	EBULP16, 115V, 2 HV Blowers	
715041602	\$2,390.00	EBULP16C, 230V, 2 HV Blowers	
EBUL16C	\$2,285.00	EBUL16C, 230V, 2 HV Blowers	
715052404	\$2,820.00	EBUL24C, 230V, 2 HV Blowers	
715052407	\$2,920.00	EBULP24C, 230V, 2 HV Blowers	
715053003	\$3,350.00	EBUL30C, 230V, 2 HV Blowers	
715053605	\$3,350.00	EBUL36C, 230V, 2 HV Blowers	

<b>EBS Evaporators</b>			
<u>Item Number</u>	<u>List Price (USD)</u>	<u>Description</u>	
715061203	\$2,120.00	EBS12 115/60/1	
715061602	\$2,120.00	EBS16S Evap. 115V 3 Speed Motor	
715061603	\$2,120.00	EBS16SC Vertical Discharge 230/60/1	

<b>Modulating Condensing Units, R417A</b>			
<u>Item Number</u>	<u>List Price (USD)</u>	<u>Description</u>	
701724201	\$5,495.00	RM24C-417 - 230/60/1	
701330207	\$5,555.00	RM30C-417 - 230/60/1	
701742205	\$6,135.00	RM42C-417 - 230/60/1	
701724202	\$5,495.00	RM24CK-417 - 240/50/1	
701730303	\$5,960.00	RM30CK-417 - 240/50/1	
701742304	\$6,640.00	RM42CK-417 - 240/50/1	
701730501	\$6,400.00	RM30DC-417 - 230/60/3	
701742501	\$6,860.00	RM42DC-417 - 230/60/3	

<b>Modulating Evaporator Units (R417A)</b>			
<u>Item Number</u>	<u>List Price (USD)</u>	<u>Description</u>	
715221005	\$2,565.00	EHMB4C, 230V, 1KW Heat	
715221006	\$2,565.00	EHMB6C, 230V, 1KW Heat	
715221009	\$2,565.00	EHMB8C, 230V, 1KW Heat	
715221004	\$2,620.00	EHMB10C, 230V, 1.5KW Heat	
715221003	\$2,650.00	EHMB12C, 230V, 2KW Heat	
715221605	\$2,650.00	EHMB16C, 230V, 2KW Heat	

<b>Modulating Systems Control</b>		
763100037	\$645.00	PLHMX-HV, SMX II P/L Box for Modulating Systems, 115/230V

<b>CoolBreeze</b>			
<i>For cockpit &amp; flybridge areas (call for more information)</i>			
<u>Item Number</u>	<u>List Price (USD)</u>	<u>Description</u>	
703112251	\$4,015.00	RSC12C-417, Cool Only Cond 230V	
715000602	\$1,920.00	SCE6C, Evap w/TX Valve 230/60/1***	



# Dometic Air-Cooled Units

## **DuraSea Rooftop (Air-Cooled A/C)**

<u>Item Number</u>	<u>List Price (USD)</u>	<u>Description</u>
489516AXX1C0	\$1,800.00	Durasea Rooftop, 15K, 115V, Polar White
3107206.017	\$150.00	Air Distribution Kit, Polar White
3101121.030	\$125.00	Heat Kit Complete, 120V
83341AXX1C0	\$2,000.00	Rooftop, 12K, 220V 50HZ, Polar White
3315364.000	\$165.00	Heat Kit Complete, 240V, 1.5KW
3314855.000	\$200.00	Air Distribution Kit, Univ, Polar White
3309364.002	\$100.00	Rooftop Cover Replacement Kit, Polar White



## **Jackboat Air-Cooled Unit**

<u>Item Number</u>	<u>List Price (USD)</u>	<u>Description</u>
202000601	\$8,195.00	SSA16KZ 1.5KW 410A w/ Electric Box



## **Radome Units Air-Cooled A/C (for cooling of radar/communication domes)**

### **Call for more information**

<u>Item Number</u>	<u>List Price (USD)</u>	<u>Description</u>
<b>Radome Units Internally Mounted</b>		
202000409	\$6,250.00	HSA16UKC/2 417A 115V
202000404	\$6,495.00	HSA16UKC/2 417A 115V with Cord
202000410	\$6,930.00	HSA16UKC/2 417A 1KW 115V
202000403	\$6,395.00	HSA16UKCZ/1-417A 230V
202000402	\$6,540.00	HSA16UKCZ/1-417A 230V with Cord
202000406	\$6,660.00	HSA16UKCZ50/1-417A 220V/50Hz
<b>Radome Units Externally Mounted with Remote Displays</b>		
202000408	\$6,405.00	HSA16UKC/2 417A 115V 5" Duct 20' Display Cable
202000405	\$6,620.00	HSA16UKCZ/1-417A 230V 5" Duct 20' Display Cable
202000407	\$6,670.00	HSA16UKCZ50/1-417A 220V 5" Duct 20' Display Cable



# Dometic Air-Cooled Units

## DURASEA CONDENSING UNIT MODEL NUMBER NOMENCLATURE

**DCA036A4663C0AA**

DuraSea Condensing Unit

Refrigerant Type

A = R410A  
B = R417A

Nominal Tonnage

030 = 2.5 Tons  
036 = 3 Tons  
048 = 4 Tons  
060 = 5 Tons

072 = 6 Tons

090 = 7.5 Tons

120 = 10 Tons

Control Type

A = None -use with 24VAC Thermostat  
Q = Unity Control

Voltage

2361 = 230V/60/1  
2251 = 220V/50/1  
2363 = 208-230V/60/3  
4663 = 460V/60/3  
4053 = 400V/50/3  
3853 = 380V/50/3

Options

A = None

B = Nema 4x electric Box & heat shrunk electric connections

C = Low ambient Fan Cycling Control

D = Phase Monitor

E = Valve Fan Side (VFS) - standard on 7.5/10 ton models

F = Variable Frequency Drive

G = Crankcase Heater

H = Suction Accumulator

I = Reserved for future use

J = Reserved for future use

K = Combination of options B, C, D, G, and H

L = Combination of options B and D

M = Combination of options B, C, and D

N = Combination of options B, C, D and H

P = Combination of options B and G

R = Combination of options B, C, and F

Design Revision

A = Initial Rev

Not Used

0 = Not Used

Coil Options

A = Al Fin/Copper Tube

B = E-Coat Al Fin/Copper Tube

C = Copper Fin/Tube





# Dometic Air-Cooled Units

## DURASEA CONDENSING UNITS BASE MODELS

### 410A - Uncoated Aluminum Finned/Copper tube Condenser (Coil Option A)

<u>Base Size</u>	<u>List Price (USD)</u>	<u>DESCRIPTION</u>
DCA036A	\$7,990.00	DuraSea 36,000 BTU, R410A
DCA048A	\$8,190.00	DuraSea 48,000 BTU, R410A
DCA060A	\$9,190.00	DuraSea 60,000 BTU, R410A
DCA072A	\$9,390.00	DuraSea 72,000 BTU, R410A
DCA090A	\$11,590.00	DuraSea 90,000 BTU, R410A
DCA120A	\$12,790.00	DuraSea 120,000 BTU, R410A

### 410A - ElectroFin® E-Coat Aluminum Finned/Copper tube Condenser (Coil Option B)

<u>Base Size</u>	<u>List Price (USD)</u>	<u>DESCRIPTION</u>
DCA036A	\$8,390.00	DuraSea 36,000 BTU, R410A
DCA048A	\$8,590.00	DuraSea 48,000 BTU, R410A
DCA060A	\$9,990.00	DuraSea 60,000 BTU, R410A
DCA072A	\$10,190.00	DuraSea 72,000 BTU, R410A
DCA090A	\$12,790.00	DuraSea 90,000 BTU, R410A
DCA120A	\$13,990.00	DuraSea 120,000 BTU, R410A

### 410A - Copper Finned/Copper Tube Condenser (Coil Option C)

<u>Base Size</u>	<u>List Price (USD)</u>	<u>DESCRIPTION</u>
DCA036A	\$8,990.00	DuraSea 36,000 BTU, R410A
DCA048A	\$9,190.00	DuraSea 48,000 BTU, R410A
DCA060A	\$11,190.00	DuraSea 60,000 BTU, R410A
DCA072A	\$11,390.00	DuraSea 72,000 BTU, R410A
DCA090A	\$14,590.00	DuraSea 90,000 BTU, R410A
DCA120A	\$15,790.00	DuraSea 120,000 BTU, R410A

The below options are available as an adder to the base unit list. See previous page for description of options.

<u>Options and Adders</u>	<u>36K - 48K</u>	<u>60K - 72K</u>	<u>90K - 120K</u>
380/50HZ units	\$175.00	\$250.00	\$300.00
Option B	\$650.00	\$650.00	\$650.00
Option C	\$275.00	\$275.00	\$275.00
Option D	\$175.00	\$175.00	\$175.00
Option E	\$375.00	\$375.00	N/A
Option F	Call for Price	Call for Price	Call for Price
Option G	\$155.00	\$155.00	\$155.00
Option H	\$550.00	\$550.00	\$800.00
<b><u>Combinations:</u></b>			
Option K	\$1,805.00	\$1,805.00	\$2,055.00
Option L	\$825.00	\$825.00	\$825.00
Option M	\$1,100.00	\$1,100.00	\$1,100.00
Option N	\$1,650.00	\$1,650.00	\$1,900.00
Option P	\$805.00	\$805.00	\$805.00
Option R	Call for Price	Call for Price	Call for Price

### 24VAC Electric Box

<u>Item Number</u>	<u>List Price (USD)</u>	<u>Description</u>
203000008	\$315.00	Electric Box DCA 24VAC T-STAT
203000011	\$345.00	Electric Box DCA 24VAC T-STAT w/Contactor
<b>24VAC Electric Box with Heat</b>		
203000010	\$440.00	Electric Box DCA 24VAC TS 1PH Heat
203000009	\$630.00	Electric Box DCA 24VAC TS 3PH Heat

Note: Use these transformer boxes when applying DuraSea units along with AHU's that do not include 24VAC transformers.

# Chilled Water Air Handlers

<b>AU</b> Capacity (BTU/Hr x 1000)	<b>12</b> Blower "HV" = High-efficiency DC = DC Brushless Motor F = Shaded Pole (ext. motor)	<b>HV</b> Z = 230V Blank = 115V	<b>Z</b> Flow Control	<b>FC</b> COS = Change-Over Switch Installed	<b>COS</b> Electrical Heat	<b>2KW</b> Breathe Easy	<b>BE</b> Valve & Blower Orientation	<b>L90</b> Duct Ring Size	<b>6"MR</b>
--	---	---------------------------------------	--------------------------	--	-------------------------------	----------------------------	--	------------------------------	-------------

## **AU Air Handlers, with High Velocity Blowers**

Item Number	List Price (USD)	Description
261400061	\$1,610.00	AU6HV 5"MR 115V
261400091	\$1,710.00	AU9HV 6"MR 115V
261400121	\$1,810.00	AU12HV 6"MR 115V
261400181	\$2,010.00	AU18HV 7"MR 115V
261400241	\$2,310.00	AU24HV 8"MR 115V
261400060	\$1,610.00	AU6HVZ 5"MR 230V
261400090	\$1,710.00	AU9HVZ 6"MR 230V
261400120	\$1,810.00	AU12HVZ 6"MR 230V
261400180	\$2,010.00	AU18HVZ 7"MR 230V
261400240	\$2,310.00	AU24HVZ 8"MR 230V

## **AU Air Handlers, with HV Blowers and Heating**

261400065	\$1,960.00	AU6HVZ-1KW 5"MR 115V
261400095	\$2,060.00	AU9HV-1KW 6"MR 115V
261400107	\$2,060.00	AU9HV-1.5KW 6"MR 115V
261400137	\$2,160.00	AU12HV-1KW 6"MR 115V
261400125	\$2,160.00	AU12HV-1.5KW 6"MR 115V
261400197	\$2,360.00	AU18HV-1KW 7"MR 115V
261400201	\$2,360.00	AU18HV-1.5KW 7"MR 115V
261400245	\$2,760.00	AU24HVZ-3.0KW 8"MR 230V
261400064	\$1,960.00	AU6HVZ-1KW 5"MR 230V
261400094	\$2,060.00	AU9HVZ-1KW 6"MR 230V
261400106	\$2,060.00	AU9HVZ-1.5KW 6"MR 230V
261400136	\$2,160.00	AU12HVZ-1KW 6"MR 230V
261400124	\$2,160.00	AU12HVZ-1.5KW 6"MR 230V
261400196	\$2,360.00	AU18HVZ-1KW 7"MR 230V
261400200	\$2,360.00	AU18HVZ-1.5KW 7"MR 230V
261400244	\$2,760.00	AU24HVZ-2X1.5KW 8"MR 230V



## **AU Air Handlers, with HV Blowers and Flow Control**

261400063	\$1,770.00	AU6HV-FC 5"MR 115V
261400093	\$1,870.00	AU9HV-FC 6"MR 115V
261400123	\$1,970.00	AU12HV-FC 6"MR 115V
261400183	\$2,170.00	AU18HV-FC 7"MR 115V
261400243	\$2,470.00	AU24HV -FC 8"MR 115V
261400062	\$1,770.00	AU6HVZ-FC 5"MR 230V
261400092	\$1,870.00	AU9HVZ-FC 6"MR 230V
261400122	\$1,970.00	AU12HVZ-FC 6"MR 230V
261400182	\$2,170.00	AU18HVZ-FC 7"MR 230V
261400242	\$2,470.00	AU24HVZ-FC 8"MR 230V

## **AU Air Handlers, with HV Blowers, FC and Heating**

261400067	\$2,120.00	AU6HV-FC 1.0KW 5"MR 115V
261400127	\$2,320.00	AU12HV-FC 1.5KW 6"MR 115V
261400247	\$2,920.00	AU24HV-FC 3.0KW 8"MR 115V
261400066	\$2,120.00	AU6HVZ-FC 1.0KW 5"MR 230V
261400126	\$2,320.00	AU12HVZ-FC 1.5KW 6"MR 230V
261400246	\$2,920.00	AU24HVZ-FC 3.0KW 8"MR 230V

# Chilled Water Air Handlers

<b>AU Air Handlers, with HV Blowers, FC and COS</b>		
<b>Item Number</b>	<b>List Price (USD)</b>	<b>Description</b>
261400901	\$1,820.00	AU6HVZ-FC-COS 5"MR 230V
261400917	\$1,920.00	AU9HVZ-FC-COS 6"MR 230V
261400926	\$2,020.00	AU12HVZ-FC-COS 6"MR 230V
261400908	\$2,220.00	AU18HVZ-FC-COS 7"MR 230V
261400949	\$2,520.00	AU24HVZ-FC-COS 8"MR 230V
<b>AU Air Handlers, with HV Blowers, and Breathe Easy™</b>		
261400956	\$2,105.00	AU6HVZ-BE 5"MR 230V
261400969	\$2,205.00	AU9HVZ-BE 5"MR 230V
261400957	\$2,305.00	AU12HVZ-BE 6"MR 230V
261400970	\$2,505.00	AU18HVZ-BE 7"MR 230V
261400958	\$2,805.00	AU24HVZ-BE 8"MR 230V
<b>AU Air Handlers, w/HV Blowers, Breathe Easy™ &amp; Heating</b>		
261400790	\$2,455.00	AU6HV-1KW-BE 5"MR 115V
261400791	\$2,555.00	AU9HV-1KW-BE 5"MR 115V
261400792	\$2,655.00	AU12HV-1.5KW-BE 6"MR 115V
261400793	\$2,955.00	AU18HV-2X1.5KW-BE 7"MR 115V
261400794	\$3,255.00	AU24HV-2X1.5KW-BE 8"MR 115V
261400800	\$2,455.00	AU6HVZ-1KW-BE 5"MR 230V
261400801	\$2,555.00	AU9HVZ-1KW-BE 5"MR 230V
261400802	\$2,655.00	AU12HVZ-1.5KW-BE 6"MR 230V
261400803	\$2,955.00	AU18HVZ-2X1.5KW-BE 7"MR 230V
261400804	\$3,255.00	AU24HVZ-2X1.5KW-BE 8"MR 230V
<b>AU Air Handlers, with DC Blowers</b>		
261400069	\$2,505.00	AU6DCZ 5"MR 230V
261400099	\$2,605.00	AU9DCZ 6"MR 230V
261400129	\$2,705.00	AU12DCZ 6"MR 230V
261400189	\$2,905.00	AU18DCZ 7"MR 230V
261400249	\$3,205.00	AU24DCZ 8"MR 230V
<b>AU Air Handlers, with DC Blowers and Heating</b>		
261400071	\$2,855.00	AU6DCZ-1KW 5"MR 230V
261400101	\$2,955.00	AU9DCZ-1KW 6"MR 230V
261400110	\$2,955.00	AU9DCZ-1.5KW 6"MR 230V
261400131	\$3,055.00	AU12DCZ-1.5KW 6"MR 230V
261400191	\$3,255.00	AU18DCZ-1.5KW 7"MR 230V
261401037	\$3,555.00	AU24DCZ-1.5KW 8"MR 230V
<b>AU Air Handlers, with DC Blowers and Flow Control</b>		
261400070	\$2,665.00	AU6DCZ-FC 5"MR 230V
261400100	\$2,765.00	AU9DCZ-FC 6"MR 230V
261400130	\$2,865.00	AU12DCZ-FC 6"MR 230V
261400190	\$3,065.00	AU18DCZ-FC 7"MR 230V
261400250	\$3,365.00	AU24DCZ-FC 8"MR 230V
<b>AU Air Handlers, with DC Blowers, FC and Heating</b>		
261400072	\$3,015.00	AU6DCZ-FC-1KW 5"MR 230V
261400102	\$3,115.00	AU9DCZ-FC-1KW 6"MR 230V
261400192	\$3,415.00	AU18DCZ-FC-1.5KW 7"MR 230V
261401036	\$3,715.00	AU24DCZ-FC-1.5KW 8"MR 230V
<b>AU Air Handlers, with DC Blowers, FC and COS</b>		
261400913	\$2,715.00	AU6DCZ-FC-COS 5"MR 230V
261400939	\$2,815.00	AU9DCZ-FC-COS 6"MR 230V
261400941	\$2,915.00	AU12DCZ-FC-COS 6"MR 230V
261400947	\$3,115.00	AU18DCZ-FC-COS 7"MR 230V
261400952	\$3,415.00	AU24DCZ-FC-COS 8"MR 230V



\*Note: U-board does not support COS  
Use water temp sensor

# Chilled Water Air Handlers

## European Version Air Handlers

### AU-EU Air Handlers, with HV Blowers

<u>Item Number</u>	<u>List Price (USD)</u>	<u>Description</u>
261402006	\$1,780.00	AU6HVZ-EU 5"MR 230V
261402009	\$1,880.00	AU9HVZ-EU 6"MR 230V
261402012	\$1,980.00	AU12HVZ-EU 6"MR 230V
261402018	\$2,180.00	AU18HVZ-EU 7"MR 230V
261402024	\$2,480.00	AU24HVZ-EU 8"MR 230V

### AU-EU Air Handlers, with HV Blowers and Heating

261402007	\$2,130.00	AU6HVZ-EU-1KW 5"MR 230V
261402010	\$2,230.00	AU9HVZ-EU-1.5KW 6"MR 230V
261402019	\$2,530.00	AU18HVZ-EU-1.5KW 7"MR 230V
261402025	\$2,880.00	AU24HVZ-EU-2X1.5KW 8"MR 230V

### AU-EU Air Handlers, with DC Blowers

261402050	\$2,675.00	AU6DCZ-EU 5"MR 230V
261402051	\$2,775.00	AU9DCZ-EU 6"MR 230V
261402052	\$2,875.00	AU12DCZ-EU 6"MR 230V
261402053	\$3,075.00	AU18DCZ-EU 7"MR 230V
261402054	\$3,375.00	AU24DCZ-EU 8"MR 230V

### AU-EU Air Handlers, with DC Blowers and Heating

261402056	\$3,425.00	AU18DCZ-EU-1.5KW 7"MR 230V
261402055	\$4,075.00	AU24DCZ-EU-2X1.5KW 8"MR 230V

### Control Box for AU-EU High Velocity Blowers

263400920	\$710.00	Control Box AU-HV-EU I/O 20' display cable
263400921	\$780.00	Control Box AU-HV-EU Q-Logic
263400922	\$260.00	Control Box AU-HV-EU Slave

### Control Box for AU-EU DC Blowers

263400923	\$745.00	Control Box AU-DC-EU I/O 20' display cable
263400924	\$815.00	Control Box AU-DC-EU Q-Logic
263400925	\$285.00	Control Box AU-DC-EU Slave

**Note:** AU-XX-EU Kits above include circuit board in box, 90cm cable harness. 120cm Water Sensor & Air Sensor 20' display cable with I/O kit only. No display or bezel included in kits.



## AT High Velocity Air Handlers

<u>Item Number</u>	<u>List Price (USD)</u>	<u>Description</u>
261300007	\$1,315.00	AT4HVZ 4"MR 230V
261301094	\$3,820.00	AT30HVZ-FC 8"MR 230V
261300087	\$3,710.00	AT36HVZ 8"MR 230V
261300287	\$4,160.00	AT36HVZ-2X1.5KW 8"MR 230V
261300786	\$3,870.00	AT36HVZ-FC 8"MR 230V
261300787	\$4,320.00	AT36HVZ-FC-2X1.5KW 8"MR 230V

### "Whisper Cool" AT-DC 36K Air Handlers

261300622	\$4,765.00	AT36DCZ-FC 8"MR 230V
261300676	\$5,215.00	AT36DCZ-FC-2X1.5KW 8"MR 230V



# Chilled Water Air Handlers

## ATL Draw-Through Air Handlers

<u>Item Number</u>	<u>List Price USD</u>	<u>Description</u>
261301300	\$2,540.00	ATL6HVZ-FC 5"MR 230V
261301302	\$2,640.00	ATL9HVZ-FC 6"MR 230V
261301315	\$3,090.00	ATL9HVZ-FC 1.5KW 6"MR 230V
261301304	\$2,865.00	ATL12HVZ-FC 6"MR 230V
261301242	\$3,165.00	ATL18HVZ-FC 6"MR 230V
261301318	\$3,215.00	ATL24HVZ-FC 8"MR 230V
261301308	\$3,655.00	ATL24HVZ-FC 1KW 8"MR 230V
261301309	\$3,655.00	ATL24HVZ-FC 1.5KW 8"MR 230V
261301310	\$5,380.00	ATL36HVZ-FC 8"MR 230V
261301316	\$3,355.00	ATL9DCZ-FC 6"MR 230V
261301317	\$4,315.00	ATL12DCZ-FC 6"MR 230V
261300528	\$2,720.00	ATL16FZ 230V, sloped pan
261301338	\$4,355.00	ATL18DCZ-FC 6"MR 230V
261301313	\$4,215.00	ATL24DCZ-FC 8"MR 230V

Note: Electric Heat is available on the ATLs, ATVs, and ABLs.



## ABL Air Handlers

<u>Item</u>	<u>List Price USD</u>	<u>Description</u>
262110005	\$6,305.00	ABL18DCZ-FC 2X1.5KW 230V
262110001	\$5,910.00	ABL24DCZ-FC 230V
262110004	\$6,360.00	ABL24DCZ-FC 2X1.5KW 230V



## ATV Vertical Draw-Through Air Handlers, with HV Blowers

<u>Item</u>	<u>List Price USD</u>	<u>Description</u>
261301086	\$2,165.00	ATV6HV-SQ R180 5"MR 115V
261301083	\$2,195.00	ATV9HV-SQ-R90 6"MR 115V
261301082	\$2,195.00	ATV9HV-SQ-L90 6"MR 115V
261301087	\$2,195.00	ATV9HV-SQ-R180 6"MR 115V
261300554	\$2,220.00	ATV12HV-SQ L90 6"MR 115V
261301085	\$2,220.00	ATV12HV-SQ R90 6"MR 115V
261301134	\$3,405.00	ATV18HV-SQ-L90 7"MR 115V
261301133	\$4,100.00	ATV24HV-SQ-R90 8"MR 115V
261301080	\$4,755.00	ATV24HV-4P-LP-L90H 8"MR 115V
261301154	\$2,165.00	ATV6HVZ-SQ 5"MR 230V
261300567	\$2,195.00	ATV9HVZ-SQ-L90 6"MR 230V
261300577	\$2,195.00	ATV9HVZ-SQ-R90 6"MR 230V
261300552	\$2,380.00	ATV12HVZ-SQ-FC-L90 6"MR 230V
261301207	\$2,380.00	ATV12HVZ-SQ-FC-R90 6"MR 230V
261300565	\$2,220.00	ATV12HVZ-SQ-L90 6"MR 230V
261300576	\$2,220.00	ATV12HVZ-SQ-R90 6"MR 230V
261300542	\$3,405.00	ATV18HVZ-LP-L90 7"MR 230V
261300575	\$3,405.00	ATV18HVZ-LP-R90 7"MR 230V
261301034	\$4,090.00	ATV18HVZ-LP-FC-L90 2X1.0KW 7MR
261300572	\$4,100.00	ATV24HVZ-LP L90 8"MR 230V
261301165	\$4,100.00	ATV24HVZ-LP-R90 8"MR 230V
261300566	\$4,100.00	ATV24HVZ-LP-36C-R90 8"MR 230V
261301184	\$4,450.00	ATV24HVZ-LP-1.5KW L90 8"MR 230
261301201	\$4,450.00	ATV24HVZ-LP-1.5KW R90 8"MR 230
261301073	\$4,550.00	ATV24HVZ-LP-2X1.5KW L90 8"MR





# Chilled Water Air Handlers

## **ATV Vertical Draw-Through Air Handlers, with DC Blowers**

<u>Item</u>	<u>List Price USD</u>	<u>Description</u>
261301199	\$3,035.00	ATV9DCZ-LP-FC L90 6"MR 230V
261300561	\$2,875.00	ATV9DCZ-SQ-6"MR L0 230V
261300520	\$3,135.00	ATV12DCZ-SQ-FC L180 6"MR
261301208	\$3,485.00	ATV12DCZ-LP-FC-1KW L90 6"MR
261300584	\$3,485.00	ATV12DCZ-SQ-FC-1KW L90 6"MR
261300523	\$3,585.00	ATV12DCZ-SQ-FC-2X1KW L90 6"MR
261300551	\$3,760.00	ATV18DCZ-LP-FC-L30 7"MR 230V
261300550	\$3,760.00	ATV18DCZ-LP-FC-L90 7"MR 230V
261301058	\$4,110.00	ATV18DCZ-LP-FC-L90 1.5KW 7"MR
261301194	\$4,110.00	ATV18DCZ-LP-FC-L90 1KW 230V 7"
261301193	\$4,110.00	ATV18DCZ-LP-FC-R90 1KW 230V 7"
261301149	\$4,210.00	ATV18DCZ-LP-FC-R90 2X1KW 230V
261301074	\$4,210.00	ATV18DCZ-FC-SQ-L90 2X1.5KW-7"MR
261301185	\$5,090.00	ATV24DCZ-SQFC-2X1.5KW-L90 8MR
261301189	\$5,090.00	ATV24DCZ-SQ-FC-2X1KW-L90 8"MR
261300594	\$5,445.00	ATV36DCZ-LP-R180 8"MR 230V
261301218	\$5,950.00	ATV36DCZ-LP-FC-1.5KW 8"MR 230V



## **Fresh Air Makeup Air Handlers - with DC Blowers and Pulse Heat Control**

<u>Item</u>	<u>List Price USD</u>	<u>Description</u>
261400226	\$4,485.00	AU12DCZ-FC-RH-1.5KW-MU 6"MR 230V
261400218	\$4,665.00	AU18DCZ-FC-2X1KW-MU 6"MR 230
261401097	\$5,035.00	AU24DCZ-FC-2X1KW-MU 8"MR 230V

## **Fresh Air Makeup Air Handlers - with pulse-heat control**

261400971	\$3,885.00	AU18HVZ-FC-1.5KW-MU 7"MR 230V
261401140	\$4,255.00	AU24HVZ-FC-1.5KW-MU 8"MR 230V

Note: Above fresh air make-up units include pulse heat control and water valve.

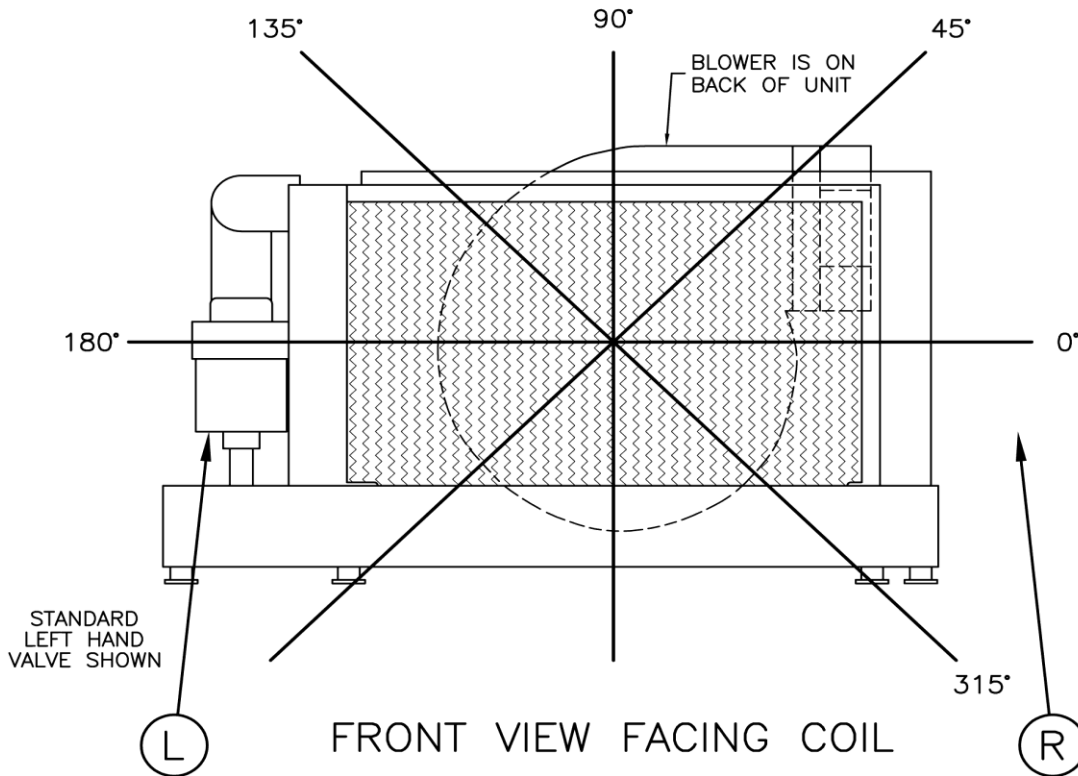
# Chilled Water

## Air Handler and Blower Orientation

PROPRIETARY NOTE: THE INFORMATION CONTAINED WITHIN THIS DOCUMENT IS THE PROPERTY OF DOMETIC CORPORATION. ANY ATTEMPT TO COPY OR DISTRIBUTE WITHOUT WRITTEN CONSENT FROM DOMETIC CORPORATION SHALL BE CONSIDERED UNLAWFUL AND CAN BE CONTESTED IN A COURT OF LAW.

REV	DATE	REVISION DESCRIPTION	DWG	APR
B	4/16/02	UPDATE PROPRIETARY NOTE, ADD REV BLK, CAD226-02	DRR	JES
C	7/15/04	REMOVED 225° AND 270° REFERENCES, CAD474-04	DRR	JES
D	1/10/05	MAKE DRAWING GENERIC FOR MAS & CRUISAIR, CAD029-05	DRR	JES

Air Handler discharge location will be indicated by an angle. The valve location will be indicated by an 'R' or an 'L'. For example: AT9HVZ R135. The 'R' means that the valve is on the right as one faces the coil. The '135' means that the blower is rotated 135 degrees counterclockwise as one faces the coil. Note that standard Air Handlers are 'LO' – the valve is on the left, and the blower is at zero degrees or pointing right as one faces the coil (see diagram). 'LO' will not appear in descriptions because it is the standard, all other orientations get full description. "NO VALVE" units still use "R" or "L" to indicate location of connections.



<b>CUSTOMER SIGN OFF</b>	
DATE:	_____
COMPANY NAME:	_____
YACHT MODEL:	_____
SIGNATURE:	_____
PRINT NAME:	_____
VALVE:	ROTATION:

<b>AT</b>	<b>12</b>	<b>HV</b>	<b>Z</b>	<b>- FC -</b>	<b>COS</b>	<b>- 2KW -</b>	<b>L90</b>	<b>6"MR</b>
Capacity (BTU/hr x 1000)		Z = 230V Blank = 115V	Flow Control		Electrical Heat		Duct Ring Size	
Air Handler Style	Blower "HV" = High-efficiency DC = DC Brushless Motor F = Shaded Pole (ext. motor)		COS = Change-Over Switch Installed		Valve & Blower Orientation			
<b>Dometic Corporation</b>								
<b>CUSTOM AIR HANDLERS - CUSTOMER SIGN OFF</b>								
<b>BLOWER ROTATION ANGLE &amp; WATER VALVE LOCATION</b>								
DATE: 12/10/98	DWG BY: RMW	PART NUMBER: N/A		DWG	H3050002	REV	D	
SCALE: 1/6	APR BY: E S							



# Chiller Units and Modules

## VARIABLE CAPACITY CHILLER

Item Number	List Price (USD)	Description			
260160001	\$11,995.00	VARC48 208-230/50 or 60/1			
<b>Bases and Manifolds</b>					
Chiller Tons	Manifold Set	Base	Varc Size	Manifold Size	# of Stages
8	\$2,845.00	\$1,525.00	VARC48	1.5	2
12	\$4,425.00	\$1,820.00	VARC48	2	3
16	\$5,305.00	\$2,200.00	VARC48	2	4
See page 34-43 for Optional Controls					
For Remote Display Cables use CNP					



## CRUISAIR AUTHORIZED DISTRIBUTORS AND DEALERS ONLY

### MTCGX TITAN Modular Tempering Units, R410A

New Item No.	New Description	List Price (USD)	Old Item Number	Old Description
260161040	MTCGX36 2361	\$10,960.00	260151040	MTCGV36C 2361
260161070	MTCGX48 2361	\$11,775.00	260127691	MTCGV48C 2361
260161072	MTCGX60 2361	\$12,890.00	260127693	MTCGV60C 2361
260161071	MTCGX48 2363	\$11,775.00	260127692	MTCGV48DC 2363
260161073	MTCGX60 2363	\$12,890.00	260127690	MTCGV60DC 2363
260161038	MTCGX72 2363	\$13,910.00	260151038	MTCGV72DC 2363
260161042	MTCGX96 2363	\$18,580.00	260151042	MTCGV96DC 2363
260161043	MTCGX120 2363	\$20,880.00	260151043	MTCGV120DC 2363
260161049	MTCGX72 3853	\$13,900.00	260151049	MTCGV72ECK 3853
260161052	MTCGX96 3853	\$18,620.00	260151052	MTCGV96ECK 3853
260161050	MTCGX36 4663	\$10,960.00	260151050	MTCGV36EC 4663
260161054	MTCGX72 4663	\$13,900.00	260151054	MTCGV72EC 4663
260161051	MTCGX96 4663	\$18,565.00	260151051	MTCGV96EC 4663

### MTDX TITAN Modular Tempering Units, R410A

New Item No.	New Description	List Price (USD)	Old Item Number	Old Description
260161005	MTDX30 2361	\$9,945.00	260151005	MTDV30C, 2361
260161010	MTDX36 2361	\$10,150.00	260151010	MTDV36C, 2361
260161014	MTDX48 2361	\$10,710.00	260151014	MTDV48C, 2361
260161019	MTDX60 2361	\$11,745.00	260151019	MTDV60C, 2361
260161048	MTDX48 2361 SmartStart™	\$11,165.00	260151048	MTDV48C, 2361, Smart Start
260161036	MTDX60 2361 SmartStart™	\$12,200.00	260151036	MTDV60C, 2361, Smart Start
260161012	MTDX36 2363	\$10,270.00	260151012	MTDV36DC, 2363
260161016	MTDX48 2363	\$10,810.00	260151016	MTDV48DC, 2363
260161021	MTDX60 2363	\$11,745.00	260151021	MTDV60DC, 2363
260161025	MTDX72 2363	\$12,860.00	260151025	MTDV72DC, 2363
260161028	MTDX96 2363	\$17,965.00	260151028	MTDV96DC, 2363
260161031	MTDX120 2363	\$19,460.00	260151031	MTDV120DC, 2363
260161017	MTDX48 3853	\$10,810.00	260151017	MTDV48ECK, 3853
260161022	MTDX60 3853	\$11,845.00	260151022	MTDV60ECK, 3853
260161026	MTDX72 3853	\$13,065.00	260151026	MTDV72ECK, 3853
260161032	MTDX120 3853	\$20,080.00	260151032	MTDV120ECK, 3853
260161018	MTDX48 4663	\$10,810.00	260151018	MTDV48EC, 4663
260161027	MTDX72 4663	\$13,265.00	260151027	MTDV72EC, 4663
260161030	MTDX96 4663	\$17,965.00	260151030	MTDV96EC, 4663

Additional sizes and voltages available for MTD units. Contact your sales representative for part number and price.

Notes:

1) Compressor electrical data are nominally rated at the Volt/Hz/Ph listed, and can be operated in the following ranges:

230/60/1 compressors are rated for 208 - 230/60/1; 220/50/1 comps for 220 - 240/50/1; 230/60/3 comps for 208 - 230/60/3; 220/50/3 comps for 200 - 220/50/3; 380/50/3 comps for 380 - 420/50/3; and 460/60/3 comps for 440 - 480/60/3 and 380 - 420/50/3.

These compressors can usually be run at +/-10% of the rated voltage, with these exceptions:

208-230/60/1 -5/+10% for a range of 198-253; and 220-240/50/1 -5/+10% for a range of 209-264.

For more information regarding compressor voltages, refer to field notice FNR#192-B3-C on the Dometic Customer News Website.

2) Dual 50/60Hz Operation: If there is a need for a system to be able to run in both 50Hz and 60Hz environments,

the best solution is to use a VFD. Make sure the pumps are rated 50/60Hz, but sized to provide enough flow at 50Hz.

# Chiller Units and Modules

## MTD Tempering Unit Bases, Frames, and Headers

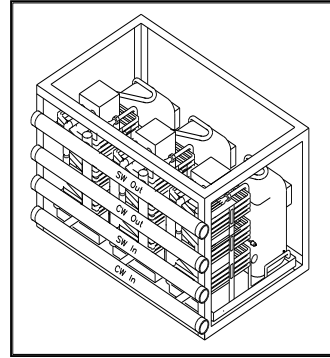
### MTD Multi-Unit Mounting Bases and Frames

#### 2-ton through 6-ton Units

# of Stages	Base	Frame
2	\$1,530.00	\$3,140.00
3	\$1,890.00	\$3,595.00
4	\$2,085.00	\$3,945.00
5	\$2,435.00	\$4,440.00
6	\$3,130.00	\$5,115.00

#### 8-ton and 10-ton Units

# of Stages	Base	Frame
2	\$1,755.00	\$3,225.00
3	\$2,065.00	\$3,580.00
4	\$2,375.00	\$4,185.00
5	\$3,165.00	\$5,340.00
6	\$3,700.00	\$6,235.00



Typical framed chiller with headers

### Multi-Unit Chilled Water and Seawater Manifolds

# of Stages	Chiller Size (Tons)	Manifold Size	Manifold Set
2	4 - 12	1.5"	\$4,110
3	4 - 12	1.5"	\$5,660
4	4 - 12	1.5"	\$7,260
6	12 - 18	2.0"	\$10,515
2	13 - 25	2.0"	\$4,760
3	13 - 25	2.0"	\$6,225
4	13 - 25	2.0"	\$7,275
5	13 - 25	2.0"	\$9,290
6	24 - 30	2.5"	\$13,475
3	26 - 36	2.5"	\$9,025
4	26 - 36	2.5"	\$11,060
5	26 - 36	2.5"	\$12,240
6	36	3.0"	\$13,780
4	37 - 60	3.0"	\$12,995
5	37 - 60	3.0"	\$16,260
6	48	3.0"	\$17,100
6	60	4.0"	\$19,085

### TWCX Multi-Unit Bases and Manifolds

Chiller Tons	TWC Size	Manifold Size	# of Stages	Manifold Set	Base
4 - 6	TWCX24-36	1.25"	2	\$2,450.00	\$1,525.00
4 - 6	TWCX24-30	1.25"	3	\$3,110.00	\$1,820.00
7 - 9	TWCX30-36	1.5"	3	\$3,695.00	\$1,820.00
10 - 12	TWCX36	2"	4	\$5,045.00	\$2,200.00
10 - 15	TWCX24-36	2"	5	\$6,040.00	\$2,500.00
8 - 10	TWCX48-60	1.5"	2	\$2,845.00	\$1,525.00
12	TWCX72	2"	2	\$3,255.00	\$1,525.00
12 - 18	TWCX48-72	2"	3	\$4,425.00	\$1,820.00
16	TWCX48	2"	4	\$5,305.00	\$2,200.00
20 - 24	TWCX60-72	2.5"	4	\$8,125.00	\$2,200.00
20 - 30	TWCX48-72	2.5"	5	\$8,495.00	\$2,500.00
24 - 30	TWCX48-60	2.5"	6	\$9,640.00	\$2,780.00
36	TWCX72	3"	6	\$13,235.00	\$2,780.00

# Chiller Units and Modules

## **TWCX TITAN Chillers with DDC control panel . Switch or display & cables sold separately.**

<b>New Item No.</b>	<b>New Description</b>	<b>List Price (USD)</b>	<b>Old Item Numbe</b>	<b>Old Description</b>
260111400	TWCX24 2251 DDC 410A	\$5,990.00	260111300	TWCV24CK-DDC 2251
260111408	TWCX30 2251 DDC 410A	\$6,445.00	260111308	TWCV30CK-DDC 2251
260111405	TWCX36 2251 DDC 410A	\$6,705.00	260111305	TWCV36CK-DDC 2251
260111447	TWCX60 2251 DDC 410A	\$9,235.00	260111347	TWCV60CK-DDC 2251
260111471	TWCX30 2361 DDC 410A	\$6,370.00	260111371	TWCV30C-DDC 2361
260111412	TWCX36-SC 2361 DDC 410A	\$6,705.00	260111312	TWCV36C-DDC 2361
260111435	TWCX48 2361 DDC 410A	\$8,575.00	260111335	TWCV48C-DDC 2361
260111485	TWCX30 2363 DDC 410A	\$6,650.00	260110367	TWCV30DC-DDC 2363
260111414	TWCX36-SC 2363 DDC 410A	\$7,010.00	260111314	TWCV36DC-DDC-SC 2363
260111473	TWCX60 2363 DDC 410A	\$9,440.00	260111373	TWCV60DC-DDC 2363
260111409	TWCX36-SC 3853 DDC 410A	\$7,305.00	260111309	TWCV36ECK-DDC 3853
260111423	TWCX48 3853 DDC 410A	\$9,080.00	260111323	TWCV48ECK-DDC 3853
260111432	TWCX60 3853 DDC 410A	\$9,640.00	260111332	TWCV60ECK-DDC 3853
260111422	TWCX72 3853 DDC 410A	\$10,355.00	260111322	TWCV72ECK-DDC 3853

## **TWCX Chillers with DDC control panel and SmartStart ä**

260111459	TWCX30 2361 DDC 410A SmartStart™	\$6,870.00	260111359	TWCV30C-DDC, 2361 SmartStartä
260111463	TWCX36 2361 DDC 410A SmartStart™	\$7,210.00	260111363	TWCV36C-DDC, 2361 SmartStartä
260111443	TWCX48 2361 DDC 410A SmartStart™	\$9,035.00	260111343	TWCV48C-DDC, 2361 SmartStartä
260111461	TWCX30 2251 DDC 410A SmartStart™	\$6,945.00	260111361	TWCV30CK-DDC 2251 SmartStartä
260111460	TWCX36 2251 DDC 410A SmartStart™	\$7,310.00	260111360	TWCV36CK-DDC 2251 SmartStartä
260111418	TWCX48 2251 DDC 410A SmartStart™	\$8,960.00	260111318	TWCV48CK-DDC, 2251 SmartStartä

## **TWCX Chillers with TWLC control panel.**

260111403	TWCX36 2361 TWLC 410A	\$6,810.00	260111303	TWCV36C-TWLC 2361
260111428	TWCX48 2361 TWLC 410A	\$8,680.00	260111328	TWCV48C-TWLC 2361
260111444	TWCX60 2361 TWLC-RMT 410A	\$9,900.00	260111344	TWCV60C-TWLC-Remote 2361
260111420	TWCX72 2361 TWLC 410A	\$10,050.00	260111320	TWCV72C-TWLC , 2361
260111406	TWCX36 2251 TWLC 410A	\$6,810.00	260111306	TWCV36CK-TWLC 2251
260111451	TWCX60 2251 TWLC 410A	\$9,290.00	260111351	TWCV60CK-TWLC 2251
260111486	TWCX30 2363 TWLC 410A	\$6,745.00	260110369	TWCV30DC-TWLC 2363
260111431	TWCX48 2363 TWLC 410A	\$8,930.00	260111331	TWCV48DC-TWLC 2363
260111445	TWCX60 2363 TWLC-RMT 410A	\$9,950.00	260111345	TWCV60DC-TWLC-Remote 2363
260111427	TWCX72 2363 TWLC 410A	\$10,050.00	260111327	TWCV72DC-TWLC 2363

## **TWCX Chillers with TWLC control panel and SmartStart ä**

260111440	TWCX48 2361 TWLC 410A SmartStart™	\$9,180.00	260111340	TWCV48C TWLC, 2361 SmartStartä
260111436	TWCX60 2361 TWLC 410A SmartStart™	\$9,790.00	260111336	TWCV60C-TWLC, 2361 SmartStartä
260111419	TWCX48 2251 TWLC 410A SmartStart™	\$9,010.00	260111319	TWCV48CK-TWLC, 2251 SmartStartä

For additional voltages please contact your Cruisair Applications Representative.

### Chiller Unit Notes:

1. Only TWCV24-36 chillers come with a remote mountable control box. TWCV48-72 chillers with a remote mountable control box are available (add \$800 list).
2. TWC Chillers have R-410A refrigerant as standard.
3. Pump relays (x2) will be needed if multiple chillers are used.
4. Following parts must be ordered:
  - TWLC keypad/display (one or more)
  - CNP Cables; one per unit, plus one for TWLC keypad
  - A-416/## temp sensor for CW supply
  - Probe well for temp sensor if using plastic pipe.

### Manifold Notes:

1. Manifolds are part of a multi-stage chiller system and are not sold separately
2. Call for pricing on vertical frames and manifolds
3. The manifold set includes:
  - Inlet and outlet CW manifolds, insul. copper
  - Inlet and outlet SW manifolds CPVC
  - FPT connections at both ends of manifolds.



TWCV48-72

# Chiller Units and Modules

## MARINE AIR AUTHORIZED DISTRIBUTORS AND DEALERS ONLY

<b>MCGX TITAN Modules Reverse Cycle, R410A Refrigerant, DDC Control</b>					
<u>New Item No.</u>	<u>New Description</u>	<u>List Price (USD)</u>	<u>Old Item Numb</u>	<u>Old Description</u>	
260162006	MCGX36 2251	\$10,050.00	260152006	MCGV36 2251	
260162010	MCGX48 2251	\$10,695.00	260152010	MCGV48 2251	
260162059	MCGX48 2251 SmartStart™	\$11,160.00	260152059	MCGV48 2251 Smart Start	
260162015	MCGX60 2251	\$11,770.00	260152015	MCGV60 2251	
260162005	MCGX36 2361	\$10,050.00	260152005	MCGV36 2361	
260162009	MCGX48 2361	\$10,695.00	260152009	MCGV48 2361	
260162039	MCGX48 2361 SmartStart™	\$11,160.00	260152039	MCGV48 2361 Smart Start	
260162014	MCGX60 2361	\$11,770.00	260152014	MCGV60 2361	
260162038	MCGX60 2361 SmartStart™	\$12,235.00	260152038	MCGV60 2361 Smart Start	
260162019	MCGX72 2361	\$12,495.00	260152019	MCGV72 2361	
260162007	MCGX36 2363	\$10,355.00	260152007	MCGV36 2363	
260162011	MCGX48 2363	\$10,745.00	260152011	MCGV48 2363	
260162016	MCGX60 2363	\$11,770.00	260152016	MCGV60 2363	
260162020	MCGX72 2363	\$12,910.00	260152020	MCGV72 2363	
260162023	MCGX90 2363	\$17,595.00	260152023	MCGV90 2363	
260162026	MCGX120 2363	\$19,485.00	260152026	MCGV120 2363	
260162012	MCGX48 3853	\$10,900.00	260152012	MCGV48 3853	
260162017	MCGX60 3853	\$11,875.00	260152017	MCGV60 3853	
260162021	MCGX72 3853	\$13,325.00	260152021	MCGV72 3853	
260162024	MCGX90 3853	\$18,010.00	260152024	MCGV90 3853	
260162027	MCGX120 3853	\$19,695.00	260152027	MCGV120 3853	
260162030	MCGX150 3853	\$27,970.00	260152030	MCGV150 3853	
260162033	MCGX180 3863	\$29,730.00	260152033	MCGV180 3863	
260162013	MCGX48 4663	\$10,850.00	260152013	MCGV48 4663	
260162018	MCGX60 4663	\$11,875.00	260152018	MCGV60 4663	
260162028	MCGX120 4663	\$19,280.00	260152028	MCGV120 4663	

### Notes for MCGV Chillers

1. DDC modules are "Stand Alone", single stage MCG chillers with DDC controls, one electrical box per stage. These modules can be staged together to the required total capacity. Each module requires a dedicated circuit breaker in the ship's A/C panel. \*OTS Box or Mechanical Switch is REQUIRED
2. Multi-Stage modules can be calculated by taking DDC List price less \$800. These modules are part of a multi-staged system with a single multi-unit "welded" control panel containing CWMC or TWLC controls & one circuit breaker per stage.
3. For 380/460V DDC "stand-alone" modules that do not have 115V or 230V available (either separate control power feed or a neutral), add \$175 per stage for a transformer that will be included in the DDC box.

<b>MCGX-LP TITAN 'Low Profile' Modules Reverse Cycle R410A Refrigerant, DDC Control</b>					
<u>New Item No.</u>	<u>New Description</u>	<u>List Price (USD)</u>	<u>Old Item Numb</u>	<u>Old Description</u>	
260163001	MCGXLP36 2361	\$11,285.00	260153001	MCGVLP36 2361	
260163005	MCGXLP48 2361	\$12,010.00	260153005	MCGVLP48 2361	
260163042	MCGXLP48 2361 SmartStart™	\$12,475.00	260153042	MCGVLP48 2361 Smart Start	
260163010	MCGXLP60 2361	\$12,735.00	260153010	MCGVLP60 2361	
260163026	MCGXLP60 2361 SmartStart™	\$13,200.00	260153026	MCGVLP60 2361 Smart Start	
260163003	MCGXLP36 2363	\$11,385.00	260153003	MCGVLP36 2363	
260163007	MCGXLP48 2363	\$12,110.00	260153007	MCGVLP48 2363	
260163012	MCGXLP60 2363	\$12,735.00	260153012	MCGVLP60 2363	
260163016	MCGXLP72 2363	\$14,080.00	260153016	MCGVLP72 2363	
260163013	MCGXLP60 3853	\$13,355.00	260153013	MCGVLP60 3853	
260163017	MCGXLP72 3853	\$14,595.00	260153017	MCGVLP72 3853	
260163014	MCGXLP60 4663	\$13,355.00	260153014	MCGVLP60 4663	

Additional sizes and voltages available. Call your sales representative for part number and price.

# Chiller Units and Modules

## MARINE AIR AUTHORIZED DISTRIBUTORS AND DEALERS ONLY

<b>MCG CHILLER BASES</b>			
<u># of Stages</u>	<u>2-6 ton</u>	<u>7-10 ton</u>	<u>12-15 ton</u>
2	\$1,397.00	\$1,676.00	\$1,750.00
3	\$1,634.00	\$1,933.00	\$2,039.00
4	\$1,876.00	\$2,138.00	\$2,343.00
5	\$2,081.00	\$2,343.00	\$2,647.00

Note: Use 7-10 ton base price for 50hz 6-ton chillers

<b>MCG CHILLER MANIFOLDS SETS</b>				
<u>Chiller Tons</u>	<u>Manifold Size</u>	<u># of Stages</u>	<u>Manifold Set</u>	<u>Dual Feed add per Set</u>
4 - 10	1.5"	2	\$3,614.00	\$228.00
4 - 10	1.5"	3	\$4,581.00	\$228.00
4 - 10	1.5"	4	\$6,383.00	\$228.00
11 - 18	2.0"	2	\$3,740.00	\$230.00
11 - 18	2.0"	3	\$4,408.00	\$230.00
11 - 18	2.0"	4	\$5,080.00	\$230.00
11 - 18	2.0"	5	\$5,750.00	\$230.00
19 - 33	2.5"	2	\$6,535.00	\$601.00
19 - 33	2.5"	3	\$6,672.00	\$601.00
19 - 33	2.5"	4	\$6,803.00	\$601.00
19 - 33	2.5"	5	\$6,937.00	\$601.00
34 - 50	3.0"	3	\$10,192.00	\$799.00
34 - 50	3.0"	4	\$11,431.00	\$799.00
34 - 50	3.0"	5	\$12,639.00	\$799.00

**The manifold set includes:**

- Inlet and outlet CW manifolds, insulated copper
- Inlet and outlet SW manifolds, PVC, with cleanout plug at opposite end of manifold connection
- FPT connections at one end of manifold

Manifolds are part of a multi-stage chiller system and are not sold separately. Call for pricing on vertical frames and manifolds.  
The Dual-Feed option allows connection at either side of manifold; both sides will have FPT connection, with a plug in one end.

<b>Chiller Compact (CHC) R410A Units and Accessories</b>		
<u>Item Number</u>	<u>List Price (USD)</u>	<u>Description</u>
<b>CHILLER COMPACT, R410A</b>		
260114006	\$3,550.00	CHCG16 PVE 1161
260114005	\$3,850.00	CHCG16 PVE 1161 SmartStart™
260114013	\$3,550.00	CHCG16Z PVE 2361
260114010	\$4,190.00	CHCG16Z PVE 2361 SmartStart™
260114020	\$5,015.00	CHCG20Z PVE 2361 SmartStart™
260114012	\$4,725.00	CHCG24Z PVE 2361
260114024	\$5,325.00	CHCG24Z PVE 2361 SmartStart™
260114030	\$4,875.00	CHCG24Z3 PVE 2363
260114011	\$3,550.00	CHCG16Z50 PVE 2251
260114009	\$4,390.00	CHCG16Z50 PVE 2251 SmartStart™
<b>CHILLER COMPACT MOUNTING BASES</b>		
291700319	\$1,240.00	2 CHC20@50HZ or 24 without Pmp Pkg
291700191	\$1,300.00	3 CHC20@50HZ or 24 without Pmp Pkg
291700178	\$1,720.00	4 CHC20@50HZ or 24 without Pmp Pkg
<b>CHILLER COMPACT MANIFOLD SETS (Copper CW &amp; PVC SW)</b>		
297500064	\$1,370.00	2 CHC16 or 2 CHC20@60HZ (1.00")
297500065	\$1,370.00	2 CHC20@50HZ or 2 CHC24 (1.00")
298001112	\$2,650.00	3 CHC20@50HZ or 3 CHC24 (1.25")



Note: CHC16-20 should be sized to 100%, while CHC24 should be sized to 90% of the total air handler load.

# Chilled Water Electrical Panels

## PLC CONTROL PANEL STANDARD PACKAGE

# of Stages	208-230V 1ph	208-230V 3ph	380-460V 3ph
2	\$9,618.00	\$10,260.00	\$10,545.00
3	\$11,677.00	\$12,900.00	\$13,292.00
4	\$13,718.00	\$14,622.00	\$15,105.00
5	\$15,401.00	\$16,275.00	\$17,640.00
6	\$17,055.00	\$18,502.00	\$19,106.00

Notes:

1. The Standard Package includes the standard PLC PGD1 controller.
3. Above Pricing includes circuit breakers and relays for compressors, CW & SW pumps
4. 380-460V panels include a transformer for control power
5. Does not support touch screen or remote connectivity.

## PLC CONTROL PANEL ENHANCED PACKAGE

# of Stages	208-230V 1ph	208-230V 3ph	380-460V 3ph
2	\$14,360.00	\$15,000.00	\$15,290.00
3	\$17,270.00	\$18,490.00	\$18,880.00
4	\$21,830.00	\$22,740.00	\$23,220.00
5	\$25,110.00	\$25,980.00	\$27,350.00
6	\$28,010.00	\$29,460.00	\$30,070.00

Enhanced Includes: All features in the Standard Package plus Suction and Discharge Temperature Sensors and Pressure Transducers, Chilled Water pump current, Seawater pump current, and Compressor current monitoring without VFD.

Does not support touch screen or remote connectivity.



## PLC CONTROL PANEL PLATINUM PACKAGE

# of Stages	208-230V 1ph-3ph	380-460V 3ph	208-230V 1ph-3ph	380-460V 3ph
	7" PLC Colored Touch Screen	7" PLC Colored Touch Screen	13" PLC Colored Touch Screen	13" PLC Colored Touch Screen
2	\$14,000.00	\$14,286.00	\$16,791.00	\$17,076.00
3	\$16,642.00	\$17,033.00	\$19,432.00	\$19,823.00
4	\$20,039.00	\$20,521.00	\$22,829.00	\$23,311.00
5	\$21,692.00	\$23,056.00	\$24,482.00	\$25,846.00
6	\$23,919.00	\$24,523.00	\$26,709.00	\$27,313.00

Notes:

1. Available with 7" or 13" colored touch screen.
2. Above Pricing includes circuit breakers and relays for compressors, CW & SW pumps
3. 380-460V panels include a transformer for control power
4. See below for Upgrade Options

## PLC Panel Platinum Package Upgrades

# of Stages	Upgrade 1	Upgrade 2	Platinum List Price (Upgrade 1 & 2)
2	\$3,392.00	\$1,128.00	\$4,520.00
3	\$4,834.00	\$1,280.00	\$6,114.00
4	\$6,784.00	\$2,032.00	\$8,816.00
5	\$8,226.00	\$2,184.00	\$10,410.00
6	\$9,404.00	\$2,336.00	\$11,740.00

Platinum Package Upgrade 1 Includes: All features of the Platinum Package plus, Suction and Discharge

Upgrade 2 Includes: Temperature Sensors and Pressure Transducers, Chilled Water pump current, Seawater pump current, and Compressor current monitoring without VFD



# Chilled Water Electrical Panels

<b>PLC Panel Optional Additional Parts</b>		
<u>Description</u>	<u>List Price (USD)</u>	
7inch Touch Screen	\$1,930.00	
13inch Touch Screen	\$4,680.00	
PLDPro PLC Small Display	\$300.00	
PGD1 Remote PLC Display	\$540.00	
Cable 9 pin to 3 pin for 13" display	\$100.00	
Splitter for multiple PGD1 displays	\$65.00	
Spare pump selector switch, 1-Phase (with contactor):	\$500.00	each
Spare pump selector switch, 3-Phase (with relay & overload):	\$825.00	each
Extend harness (10' std, up to 30' ):	\$260.00	per stage
Dual power input (split-bus):	\$255.00	
Dual doors (wide panels):	\$685.00	
Mount panel on chiller frame:	\$365.00	
Water Pressure Transducer	\$767.00	each

<b>PLC Parts Descriptions</b>	
<b>PLC</b>	Main control with embedded display for operation, one per 3 stages. If touch screen is not used, the user has the option of using the embedded screen on the PLC or a remote display (337420), which mirrors the main PLC.
<b>Touchscreen</b>	Graphical display(s), Required if remote connectivity is desired for remote operation and diagnosis. Platinum series only.
<b>Current Transducer</b>	Used to monitor the amperage of compressors and (or) pumps, for display and fault sensing.
<b>Pressure Transducer</b>	Monitors the refrigerant pressure or water pressure for display and fault sensing.

<b>STIIC</b>		
<u>Item No.</u>	<u>List Price (USD)</u>	<u>Description</u>
263400309	\$5,405.00	KIT CNTL STIIC PLC-7" E/BOX Includes Control for--6-stage chiller, 10-airhandler or DX controls with canbus, 2-Eskimo Ice, 6-KRA units, 18-Cooler box controls, 2-XTC Watermakers, 2-ZTC Spot Zero Water Purifiers (Option to upgrade up to 40 airhandler or DX Controls with canbus
337996	Call For Pricing	ADF converter Modbus to Canbus USED with STIIC for talking to Canbus Controllers

<b>PLC-OTS Electric Boxes for PLC Chiller Modules (MARINE AIR ONLY)</b>		
<p>This electric box can be used with 2 to 6 stage MCW chillers with PLC controls as either a field retrofit (see notice below) or it can be ordered with a new chiller. The box contains the, SW &amp; CW pump contactors (and overloads if 3 ph), a term. block for pump &amp; power connections, PGD1 White Marine Air display in the lid. Circuit breakers are not included.</p> <p><b>Order parts from the lists below to create a complete PLC-OTS box &amp; harness assembly.</b></p>		
<u>Item No.</u>	<u>List Price USD</u>	<u>Description</u>
263600223	\$1,350.00	Single phase CWPLC-OTS box with two 230VAC pump contactors.
263600231	\$1,350.00	Single phase CWPLC-OTS box with two 115VAC pump contactors.
263600224	Call For Pricing	Three phase CWPLC-OTS box with two 230VAC pump contactors.
TBD	Call For Pricing	Three phase CWPLC-OTS box with three 230VAC pump contactors.
TBD	Call For Pricing	Three phase CWPLC-OTS box with four 230VAC pump contactors.
336865	\$540.00	PGD1 White Backlight Flush Mount Dometic Marine Air Systems Blue
<b>Notes:</b>		
1. Box dimensions: Standard is 14"Hx12"Wx4.7"D, add 1 or 2 pumps and dimensions are 11"Hx15"Wx4.7"D.		
2. Need to specify 3 phase pump volts & amps and/or horsepower when ordering 3 phase boxes.		
3. 380-460VAC power supplied chillers should use the 230VAC pump contactor OTS boxes.		



# Chilled Water Electrical Panels

## **Single-Unit MPLC Modular Control Panels for Cruisair MTDV (CRUISAIR ONLY)**

<u>Item Number</u>	<u>List Price (USD)</u>	<u>Description</u>
263200019	\$1,975.00	MPLC-XC For all MTDV Units, 208-480V, 1 & 3 Ph, 115/230V Control
263200020	\$1,975.00	MPLC-VXC As Above, for use with VFD's

In addition to the MPLC single-unit panel (one per chiller), the system will require; a Standard PLC display, CNP Network Cables (one per panel), 2x pump relays (for circulation and seawater pumps),

## **Dometic Airhandler control package**

<u>Item Number</u>	<u>List Price (USD)</u>	<u>Description</u>
263400938	\$655.00	DAHC Control Kit 115/230-Includes control box with u-board, and 7' water sensor. Works with both HVZ and DC blowers
263400937	\$855.00	DAHC/CANBUS Kit 115/230--Includes control box with u-board, 7' water sensor, and Canbus adapter. Works with both HVZ and DC blowers

**Note: Additional items needed: display cable, and air sensor.**

## **Additional PLC Control Panel Parts**

<u>Item No.</u>	<u>List Price (USD)</u>	<u>Description</u>
336868	\$12.00	5' Display Cable for PGD1
337421	\$9.00	2.5' Display Cable for PGD1
336951	\$2,025.00	CONTROL, PLC LARGE PCO5+ w/built in PGD1 display, used on High End
338083	\$1,745.00	CONTROL, STIIC PCO5 SMALL w/built in PGD1 display
337557	Call For Pricing	CONTROL, PLC 230VAC used on basic chiller
337667	Call For Pricing	CONTROL, PLC SML 230VAC EEV used for VARC48
337668	Call For Pricing	CONTROL, PLC MED 230V EEV used for basic chiller w/options
4025103	\$205.00	TRANSDU PRES 0-652PSIG 1/4 FPT
337422	\$33.00	14.4'WIRE SET w/plug for Pres Transducers
336862	\$21.00	6.5'WIRE SET w/plug for Pres Transducers
336863	\$33.00	Chiller temp sensor 10 ft cable
337423	\$41.00	Chiller temp sensor 20 ft cable
337429	\$170.00	Harness control, MTD Water Temp Sensors
337337	\$215.00	Harness Control, Pressure transducers w/ seawater sensor
263120355	\$830.00	Repl EVO Driver w/display for programming
336872	\$40.00	EEV connector and cable 9.8 ft long
337561	\$335.00	EVO Driver Display only
337041	\$285.00	Field Bus 1 comm board

## **Other Chilled Water Accessories**

<u>Item No.</u>	<u>List Price USD</u>	<u>Description</u>
<b>Probe Well Assy. Tee for water sensor - for retrofits or if building new manifold</b>		
297700671	\$220.00	1.5" SCH80 PVC
297700672	\$230.00	2.0" SCH80 PVC
297700676	\$70.00	Copper probe well (braze-in)

### **Pressure/Temperature Gauges/Valves/Misc.**

4061200	\$405.00	Humidistat, Wall Mount, 115V/230V
263600110	\$445.00	Pressure/Temperature Gauge Kit Panel
263600125	\$585.00	Pressure/Temperature Gauge Kit Box
263600080	\$170.00	Pressure gauge only in panel w/5' tube
330127	\$160.00	Probe well for temperature gauge sensor CW
360586	\$140.00	Temperature dial gauge (for panel)
334215	\$65.00	Pressure dial gauge, USG black casing
330482	\$44.00	1/2" NPT Brass Ball Valve (tapered full port) *

**Notes:**

1. Press/Temp Gauge kit has 1 press gauge for return water, and 2 temp gauges for supply and return water.
2. Purchase probe well #330127 if buying gauge panel or box separately from manifolds.

# Variable Frequency Drives

<b>Programmed Variable Frequency Drives</b>					
<b>Altivar 312 Variable Frequency Drives (Standard VFDs)</b>					
<u>Nominal HP</u>	<u>Comp</u>	<u>Max AMP Rating</u>		<u>VFD 312</u>	
	<u>Voltage In/Out</u>	<u>3-Ph In</u>	<u>1-Ph In</u>	<u>Item No.</u>	<u>List Price</u>
5HP	2361>2363	-	10.1	263250506	\$1,975.00
7.5HP	2361>2363	-	15.9	263250503	\$2,525.00
15HP	2361>2363	-	31.2	263250511	\$4,375.00
10HP	2361>2363	-	19.1	263250502	\$2,975.00
20HP	2361>2363	-	38.1	263250508	\$5,425.00
5HP	2251>2363	-	10.1	263250504	\$1,975.00
7.5HP	2351>2363	-	15.9	263250523	\$2,525.00
10HP	2251>2253	-	19.1	263250521	\$2,975.00
15HP	2351>2363	-	31.2	263250522	\$4,375.00
10HP	2351>2363	-	19.1	263250510	\$2,975.00
5HP	2363>2363	17.5	-	263250525	\$1,975.00
7.5HP	2363>2363	27.5	-	263250513	\$2,525.00
15HP	2363>2363	54	-	263250512	\$4,375.00
10HP	2363>2363	33	-	263250507	\$2,975.00
5HP	3853>3853	9.5	-	263250529	\$2,375.00
7.5HP	3853>3853	14.3	-	263250505	\$3,175.00
10HP	3853>3853	17	-	263250517	\$3,575.00
15HP	3853>3853	27.7	-	263250519	\$4,725.00
10HP	4053>4053	17	-	263250518	\$3,575.00

<b>Altivar 21 Variable Frequency Drives (Lower Harmonic Distortion VFDs)</b>				
<u>Nominal HP</u>	<u>Voltage In/Out</u>	<u>Max AMP Rating</u>	<u>Item No.</u>	<u>List Price</u>
7.5HP	4063>4063	12	263250540	\$3,350.00
15HP	4053>4053	22.5	263250536	\$4,750.00
15HP	4053>4063	22.5	263250524	\$4,750.00
20HP	4053>4063	30.5	263250539	\$4,800.00

<b>RFI Filters (Eliminate High Frequency Interference)</b>					
<u>Nominal HP</u>	<u>Comp</u>	<u>Max AMP Rating</u>		<u>RFI Filters (class B EMC)</u>	
	<u>Voltage</u>	<u>3-Ph In</u>	<u>1-Ph In</u>	<u>Item No.</u>	<u>List Price</u>
5HP	208-230V	17.5	10.1	763300002	\$665.00
7.5HP	208-230V	27.5	15.9	763300003	\$700.00
10HP	208-230V	33	19.1	763300003	\$700.00
15HP	208-230V	54	31.2	763300004	\$1,050.00
20HP	208-230V	66	38.1	763300004	\$1,050.00
5HP	380-460V	9.5	-	763300002	\$665.00
7.5HP	380-460V	14.3	-	763300003	\$700.00
10HP	380-460V	17	-	763300003	\$700.00

Note: RFI Filters are Compatible with either the Altivar 31s or the Altivar 21s.

<b>AC Line Reactors (Reduce Total Harmonic Distortion (THD))</b>		
<u>Item No.</u>	<u>List Price USD</u>	<u>Description</u>
4250301	\$885.00	Reactor, AC Line 230V, 10HP
4250303	\$990.00	Reactor, AC Line 230V, 15HP
4250302	\$990.00	Reactor, AC Line 460V, 15HP
4250304	\$1,450.00	Reactor, AC Line 230V, 25HP

# Climate Controls and Electronics

## MARINE AIR AUTHORIZED DISTRIBUTORS & DEALERS ONLY

### **Display & Sensor Cables**

<b>Item Number</b>	<b>List Price (USD)</b>	<b>Description</b>
<b>DISPLAY CABLE OPTIONS - VCD / CMCD / CSD</b>		
331925	\$23.00	10' Display Cable, 8-pin
222103000	\$32.00	15' Display Cable, 8-pin
222103005	\$75.00	20' Display Cable, 8-pin
222103010	\$80.00	25' Display Cable, 8-pin
222103020	\$80.00	30' Display Cable, 8-pin
222103040	\$105.00	35' Display Cable, 8-pin
222103060	\$105.00	40' Display Cable, 8-pin
222103080	\$115.00	45' Display Cable, 8-pin
222103100	\$125.00	50' Display Cable, 8-pin
222103115	\$130.00	60' Display Cable, 8-pin
<b>WATER SENSORS</b>		
334024	\$40.00	2' Water Sensor
331218	\$44.00	7' Water Sensor
331438	\$60.00	10' Water Sensor
331801	\$65.00	15' Water Sensor
333973	\$70.00	20' Water Sensor
332008	\$80.00	25' Water Sensor
332620	\$85.00	30' Water Sensor
333843	\$90.00	35' Water Sensor
333856	\$95.00	40' Water Sensor
334952	\$105.00	45' Water Sensor
334963	\$115.00	50' Water Sensor
<b>ALTERNATE AIR SENSOR OPTION - VTD / ECD / VCD / CMCD / CSD</b>		
335887	\$2.06	Plastic clip to hold 7' alt air sensors above
222102307	\$43.00	7' Cable with Alternate Air Sensor attached & clip, 6-pin
222102308	\$65.00	15' Cable with Alternate Air Sensor attached & clip, 6-pin
265100190	\$95.00	30' Cable with Alternate Air Sensor attached & clip, 6-pin
222102312	\$115.00	40' Cable with Alternate Air Sensor attached & clip, 6-pin
222102311	\$205.00	75' Cable with Alternate Air Sensor attached & clip, 6-pin
<b>IMPORTANT: REMOTE AIR SENSOR CARD MUST BE PURCHASED WITH ALL AIR SENSOR CABLES LISTED BELOW.</b>		
1. Use when a return air temperature sensing location other than in display is needed.		
2. The air sensor is usually mounted in the return air stream. Clips are included as shown below.		
3. Do not mount on the drain pan, as the cold condensate water can lead to false temperature readings.		
222108009	\$95.00	Remote Air Sensor Card, 6-pin
222102305	\$42.00	7' Alternate Air Sensor Cable for Air Sensor Card, 6-pin
222102310	\$70.00	10' Alternate Air Sensor Cable for Air Sensor Card, 6-pin
222102315	\$75.00	15' Alternate Air Sensor Cable for Air Sensor Card, 6-pin
222102320	\$80.00	20' Alternate Air Sensor Cable for Air Sensor Card, 6-pin
222102325	\$85.00	25' Alternate Air Sensor Cable for Air Sensor Card, 6-pin
222102330	\$90.00	30' Alternate Air Sensor Cable for Air Sensor Card, 6-pin
222102335	\$95.00	35' Alternate Air Sensor Cable for Air Sensor Card, 6-pin
222102340	\$100.00	40' Alternate Air Sensor Cable for Air Sensor Card, 6-pin
222102345	\$105.00	45' Alternate Air Sensor Cable for Air Sensor Card, 6-pin
222102365	\$140.00	65' Alternate Air Sensor Cable for Air Sensor Card, 6-pin
<b>OUTSIDE AIR SENSORS WITH CABLES FOR MONITORING OUTSIDE AIR TEMPERATURE.</b>		
222102402	\$80.00	Outside Air Sensor w/ 7' cable, 6-pin
222102405	\$85.00	Outside Air Sensor w/ 15' cable, 6-pin
222102400	\$95.00	Outside Air Sensor w/ 25' cable, 6-pin
222140330	\$105.00	Outside Air Sensor w/ 30' cable, 6-pin
222102401	\$125.00	Outside Air Sensor w/ 40' cable, 6-pin

# *Climate Controls and Electronics*

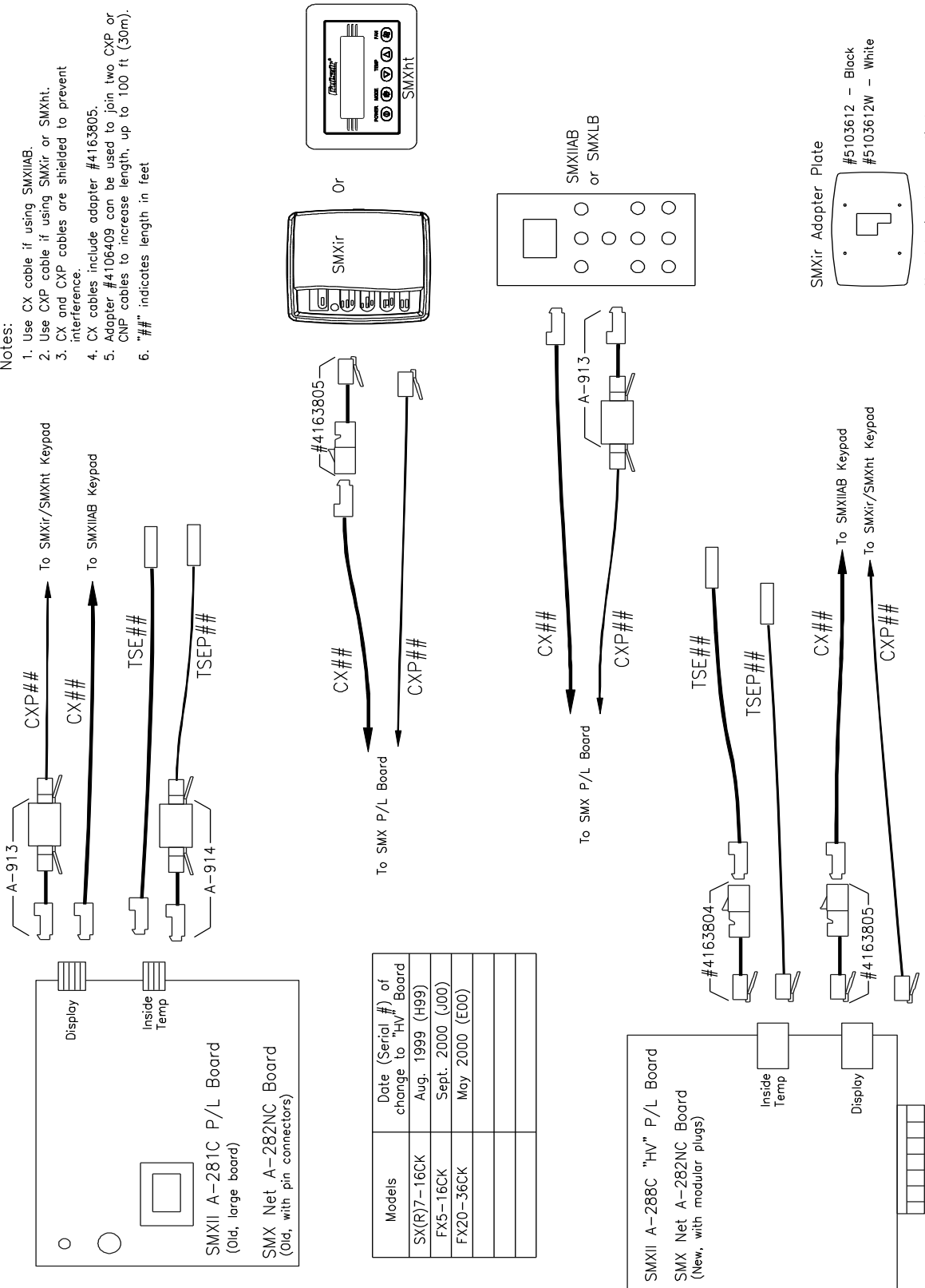
## **CRUISAIR AUTHORIZED DISTRIBUTORS & DEALERS ONLY**

<u>Item Number</u>	<u>List Price (USD)</u>	<u>Description</u>
<b>Control and Network Cables and Sensors</b>		
<b>CXP CABLES</b>		
CXP5	\$22.00	Keypad to Box Cable, RJ12, 5 Feet
CXP10	\$26.00	Keypad to Box Cable, RJ12, 10 Feet
CXP15	\$32.00	Keypad to Box Cable, RJ12, 15 Feet
CXP20	\$37.00	Keypad to Box Cable, RJ12, 20 Feet
CXP30	\$49.00	Keypad to Box Cable, RJ12, 30 Feet
CXP40	\$70.00	Keypad to Box Cable, RJ12, 40 Feet
CXP60	\$90.00	Keypad to Box Cable, RJ12, 60 Feet
CXP80	\$110.00	Keypad to Box Cable, RJ12, 80 Feet
722000000	\$145.00	Keypad to Box Cable, RJ12, 100 Ft
<b>CNP REMOTE DISPLAY CABLES</b>		
CNP5	\$55.00	SMX Network Cable, RJ12, 5 Feet
CNP10	\$55.00	SMX Network Cable, RJ12, 10 Feet
CNP15	\$70.00	SMX Network Cable, RJ12, 15 Feet
CNP20	\$80.00	SMX Network Cable, RJ12, 20 Feet
CNP40	\$100.00	SMX Network Cable, RJ12, 40 Feet
CNP60	\$120.00	SMX Network Cable, RJ12, 60 Feet
<b>ADAPTERS, ETC.</b>		
4163804	\$25.00	Adapter, 3-Pin Socket (TSE) to RJ11 Male Plug (A-288C, A-282NC)
4163805	\$25.00	Adapter, 4-Pin Socket (CX) to RJ12 Male Plug (SMXir/ht, A-288C, A-282NC)
4106409	\$8.40	Modular Coupling, TSEP, CXP, CNP
763100043	\$75.00	A-913, Adapter, RJ12 Socket (CXP) to 4-Pin Male Plug (SMXiiAB, A-281C, Old Net)
763100044	\$75.00	A-914, Adapter, RJ11 Socket (TSEP) to 3-Pin Male Plug (A-281C, Old Net)
<b>TEMPERATURE/HUMIDITY SENSORS</b>		
334498	\$38.00	TSEP5, Temperature Sensor, RJ11, 5 Feet
TSEP10	\$42.00	Temperature Sensor, RJ11, 10 Feet
TSEP15	\$47.00	Temperature Sensor, RJ11, 15 Feet
TSEP20	\$49.00	Temperature Sensor, RJ11, 20 Feet
TSEP30	\$65.00	Temperature Sensor, RJ11, 30 Feet
TSEP40	\$75.00	Temperature Sensor, RJ11, 40 Feet
TSEP60	\$90.00	Temperature Sensor, RJ11, 60 Feet
TSEP80	\$100.00	Temperature Sensor, RJ11, 80 Feet
4062325	\$22.00	Seawater Sensor
722400008	\$450.00	Temperature Sensor/Relative Humidity Q-Logic 15ft
297000049	\$170.00	Temperature Sensor Well, 1"NPT Plug, Copper
4250046	\$245.00	Break Out Cable Temp/Rel. Humid. Q Logic Fresh Air Make-up

# Cruisair Climate Controls and Accessories

**Notes:**

1. Use CX cable if using SMXIAB.
2. Use CXP cable if using SMXir or SMXht.
3. CX and CXP cables are shielded to prevent interference.
4. CX cables include adapter #4163805.
5. Adapter #4106409 can be used to join two CXP or CNP cables to increase length, up to 100 ft (30m).
6. "##" indicates length in feet.



# Climate Controls and Electronics

## CRUISAIR AUTHORIZED DISTRIBUTORS ONLY

Item Number	List Price (USD)	Description	
<b>Cruisair Smart Touch Display</b>			
722200350	\$289.00	Display Smart Touch Eikon	Smart Touch
<b>Cruisair Q Logic Displays</b>			<b>Q-Logic Displays</b>
722200250	\$190.00	Display Q3 Marine DX Black	
722200260	\$190.00	Display Q3 Marine TW Black	
722200200	\$230.00	Display QHT Marine DX & TW Gray	
722200210	\$230.00	Display QHT Marine DX & TW White	
722200201	\$255.00	Display QHT Eikon DX & TW Gray	
<b>Cruisair SMX Displays</b>			<b>SMX Displays</b>
722200000	\$240.00	Display SMXHT DX Gray	
722200020	\$255.00	Display SMXHT DX White	
722200010	\$255.00	Display SMXHT TW Gray	
722200030	\$255.00	Display SMXHT TW White	
SMXIRB	\$260.00	Display SMXIR 3/4 Door DX Black	
SMXIRW	\$260.00	Display SMXIR 3/4 Door DX White	
SMXIR-REM	\$85.00	Control Remote SMXIR DX	
SMXIRB-T	\$295.00	Display SMXIR 3/4 Door TW Black	
SMXIRW-T	\$295.00	Display SMXIR 3/4 Door TW White	
297000045	\$275.00	Display SMXIR Full Door DX Black	
297000052	\$275.00	Display SMXIR Full Door DX White	
SMXIIAB	\$250.00	Display SMXII DX Black	
SMXIIIB	\$255.00	Display SMXII TW Black	
<b>Cruisair TWLC Display</b>			
335504	\$440.00	Display TWLC LCD	TWLC LCD
<b>Cruisair Mechanical Controls, Rotary Switches</b>			<b>3-KNOB CONTROL</b>
763100047	\$550.00	SSA3-ZB, 3-Knob Switch, Black, 10' Cable w/Plug, 115V	
763100046	\$550.00	SSA3-ZCB, 3-Knob Switch, Black, 10' Cable w/Plug, 230V	
763100090	\$550.00	SSA3-ZHB, 3-Knob Switch, Horizontal, Black, 10' Cable w/Plug, 115V	
763100069	\$550.00	SSA3-ZHCB, 3-Knob Switch, Horizontal, Black, 10' Cable w/Plug, 230V	
763100076	\$480.00	TSE-TZCB, 3-Knob Switch, Black, Cool Only 230V w/COS	
763100059	\$590.00	TS3-ZCB1, 3-Knob Switch, Black, 10' Cable 230V w/COS	
<b>Cruisair Rotary Switches for Remote Units</b>			<b>1-KNOB CONTROL</b>
763100045	\$495.00	SA3-ZB10, 3-Knob Switch, Black, 10' Cap Tube, 115V	
763100073	\$495.00	SA3-ZCB10, 3-Knob Switch, Black, 10' Cap Tube, 230V	
763100055	\$495.00	SA3-BB10, 3-Knob Switch, Black, 10' Cap Tube, 2-Speed Blower, 115V	
763100075	\$495.00	SA3-ZHB10, 3-Knob Switch, Horizontal, Black, 10' Cap Tube, 115V	
763100068	\$495.00	SA3-ZHCB10, 3-Knob Switch, Horizontal, Black, 10' Cap Tube, 230V	
<b>Cruisair Rotary Switches for Slave Units</b>			
763100063	\$235.00	SA4-ZB, 1-Knob Fan Speed Cont., Black, 115V	
763100048	\$235.00	SA4-ZCB, 1-Knob Fan Speed Cont., Black, 230V	
763100051	\$315.00	SA4A-ZB, 2-Knob, On/Auto, Fan Speed Cont., Black, 115V	
763100042	\$315.00	SA4A-ZCB, 2-Knob, On/Auto, Fan Speed Cont., Black, 230V	

# Climate Controls and Electronics

## MARINE AIR AUTHORIZED DISTRIBUTORS ONLY


Item Number	List Price (USD)	Description	
<b>Marine Air Smart Touch</b>			
222200400	\$289.00	Display Smart Touch Eikon	
<b>Marine Air Elite Displays</b>			 Smart Touch
222000210	\$235.00	Display Only Elite Gray DX & CW	
222000211	\$235.00	Display Only Elite White DX & CW	
222000216	\$255.00	Display Only Elite II Eikon Gray DX & CW	 Elite
<b>Marine Air Passport I/O Displays</b>			 Elite Eikon
222000200	\$205.00	Display w/Bezel Compact Passport I/O Black DX & CW	 Passport I/O
222000201	\$205.00	Display w/Bezel Compact Passport I/O White DX & CW	
222000220	\$220.00	Display Only Compact Passport I/O Black DX	
222000221	\$220.00	Display Only Compact Passport I/O White DX	
<b>Marine Air Chilled Water Controls</b>			 CWMC Display
334619	\$610.00	Display CWMC Black	
331217	\$1,000.00	Display Hydromatic Black	
<b>Marine Air Mechanical Control, Rotary Switches</b>			
<b>Reverse Cycle Self-Contained 3-Knob Control Panel (Vector Compact, Turbo Mechanical or Cabin Mate)</b>			
222110030	\$465.00	Black MCP Control, Self-Cont, Horizontal, 115 Volts	 Single Knob Slave Control
223110054	\$465.00	Black MCP Control, Self-Cont, Horizontal, 230 Volts	
222110033	\$465.00	Black MCP Control, Self-Cont, Vertical, 115 Volts	
223110055	\$465.00	Black MCP Control, Self-Cont, Vertical, 230 Volts	
<b>Reverse Cycle Central Systems 3-Knob Control Panel</b>			 3 Knob Control
223110083	\$525.00	Black MCP Control, Central, Horizontal, 230 Volts	
223110090	\$525.00	Black MCP Control, Central, Vertical, 230 Volts	
<b>Back Cover for MCP</b>			
223200000	\$50.00	MCP back cover, ABS plastic	
<b>Cool Only 2-Knob Control Panel</b>			
222110102	\$335.00	MCP 2-Knob ECM Vertical, 115/230V	
<b>MECHANICAL SLAVE CONTROLS</b>			
Slave Controls - To be used to control fan speed when an extra evaporator is wired to another evaporator which has a complete control panel.			
222110044	\$225.00	Slave Control Black, 115 Volt	
223110067	\$225.00	Slave Control Black, 230 Volt	




# Climate Controls and Electronics

## DOMETIC DISPLAYS

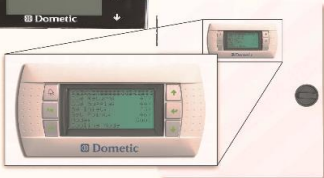
<u>Item Number</u>	<u>List Price (USD)</u>	<u>Description</u>
<b>Dometic EnviroCool/EnviroComfort Display</b>		
222000226	\$225.00	Display Only Dometic I/O Black (ECD)
<b>Dometic Programmed Logic Control</b>		
338086	\$300.00	PLDPro Small PLC Display DOMETI C
339048	\$540.00	PGD1 Bk Remote PLC Display DOMETIC
337419	\$540.00	PGD1 Wht Remote PLC Display DOMETIC
337420	\$540.00	PGD1 Wht Remote PLC Display CRUISAIR
336865	\$540.00	PGD1 Wht Remote PLC Display MARINE AIR
337995	\$65.00	Splitter for multiple displays
<b>Dometic Smart Touch Chilled Water Control</b>		
263150137	\$1,930.00	PGD Touch Screen 7" Flush for Chiller
263150138	\$1,930.00	PGD Touch Screen 7" Flush for VARC48
263150140	\$1,930.00	PGD Touch Screen 7" Flush for STIIC
263150139	\$4,680.00	PGD Touch Screen 13" Flush for Chiller
337046	\$100.00	Cable 9 Pin to 3 Pin for 13" display
<b>Dometic Eskimo Ice Display</b>		
252000120	\$175.00	Display Only Dometic Digital Eskimo Ice




ECD Display




PLDPro



PGD1 Display



Smart Touch Display



Eskimo Ice Display

## Bezels & Keypad Accessories

<u>Item Number</u>	<u>List Price (USD)</u>	<u>Description</u>
337173	\$90.00	Bezel Bright Varnished Metal Eikon Matte Anthracite
336562	\$25.00	Bezel Poly Eikon Graphite Gray
335441	\$17.00	Bezel Poly Black Elite & Q Control
335442	\$17.00	Bezel Poly Idea White Elite & Q Control
335443	\$17.00	Bezel Poly Graphite Gray Elite & Q Control
335444	\$55.00	Bezel Metal Black Chrome
335440	\$55.00	Bezel Metal Polished Gold
4220012	\$70.00	Bezel Metal Polished Chrome Rondo 3M
335446	\$55.00	Bezel Metal Bronze
335448	\$55.00	Bezel Metal Ivory
335449	\$55.00	Bezel Metal White
335511	\$17.00	Bezel Poly Classica Idea White
335512	\$17.00	Bezel Poly Classica Graphite gray
335513	\$55.00	Bezel Metal Classica White
335516	\$55.00	Bezel Metal Classica Black
335514	\$60.00	Bezel Metal Classica Polished Gold
222000224	\$19.00	Bezel Adapter Passport I/O Black
222000225	\$19.00	Bezel Adapter Passport I/O White
228710002	\$13.00	Adapter Bulkhead Passport Display Black
5101405	\$66.00	Plate SMXII Snap-On Cover, Black TW
5101401	\$46.00	PXB, SMX II Keypad Plate, Snap-on, Black
5101501	\$46.00	PXW, SMX II Keypad Plate, Snap-on, White
5103400	\$85.00	Full Door for SMXir Display- Black
5103400W	\$85.00	Full Door for SMXir Display- White
5103300	\$23.00	3/4 Door for SMXir Display- Black
5103300W	\$23.00	3/4 Door for SMXir Display- White
5103612	\$29.00	Retrofit Wall Adapter Plate, SMXII/3-Knob to SMXir, Black
5103612W	\$25.00	Retrofit Wall Adapter Plate, SMXII/3-Knob to SMXir, White
5103200	\$8.57	Mounting plate for SMXir, Black
5103200W	\$8.57	Mounting plate for SMXir, White

# PUMPS

<b>SEAWATER &amp; CIRCULATION PUMPS</b>								
<u>Item No.</u>	<u>List Price USD</u>	<u>Model No.</u>	<u>Volt/Hz/Ph</u>	<u>IMP DIA INCH</u>	<u>HP</u>	<u>Amps</u>	<u>Ft. H2O/GPM</u>	<u>Ref#</u>
225500004	\$405.00	PML250	115/60/1		1/35	1	7 @ 3	LC-2CP-MD
225500014	\$415.00	PML250C	230/50-60/1		1/35	0.53	7 @ 3	LC-2CP-MD
225500005	\$495.00	PML500L	115/60/1		1/20	2	14 @ 6	LC-3CP-MD
225500016	\$530.00	PML500CL	230/60/1		1/20	1	14 @ 6	LC-3CP-MD
225500015	\$530.00	PML500CK	220/50/1		1/20	0.8	9.5 @ 5	LC-3CP-MD
225500064	\$515.00	PMA500	115/60/1		1/12	2.4	14 @ 7.5	
225500068	\$525.00	PMA500C	230/60/1		1/12	1.2	14 @ 7.5	
225500067	\$510.00	PMA500CK	220/50/1		1/12	0.9	11 @ 5	
225500065	\$585.00	PMA1000	115/60/1		1/8	2.1	14 @ 12	AC-5C-MD
225500069	\$600.00	PMA1000C	230/50-60/1		1/8	1	14 @ 12	AC-5C-MD
225500276	\$1,165.00	PML1000 Subm.	115/60/1		1/8	2,1	14 @ 12	LC -5P-MD
225500288	\$1,205.00	PML1000C Subm.	230/50-60/1		1/8	1	14 @ 12	LC-5P-MD
225500001	\$1,305.00	P100	115/60/1	2.5	1/3	5.5	16 @ 15	67
225500072	\$1,305.00	P100Z	230/50-60/1	2.5	1/3	2.75	16 @ 15	67
225500071	\$1,635.00	P110Z-3PH	230/50-60/3	2.75	1/2	2.8	20 @ 18	72
225500102	\$1,335.00	P120/Z	230/50-60/1	3	1/3	2.75	25 @ 21	67
225500066	\$1,295.00	P700Z	230/50-60/1	3.5	1/3	2.75	21 @ 32	67
225500062	\$1,685.00	P700Z-3PH	230/50-60/3	3.5	1/2	2.8	32 @ 32	72
225500012	\$1,685.00	P700-460/3PH	460/50-60/3	3.5	1/2	1.4	32 @ 32	72
225500011	\$1,635.00	P700-380/3PH	380/50/3	3.75	1/2	1.7	21 @ 32	72
225500010	\$1,710.00	P710	115/60/1	3.5	1/2	9.8	32 @ 43	78
225500059	\$1,725.00	P710Z	230/50-60/1	3.5	1/2	4.9	32 @ 43	78
225500082	\$1,725.00	P710Z-3PH	230/60/3	3.5	1/2	2.2	32 @ 43	78
225500028	\$1,725.00	P710-460/3PH	460/60/3	3.5	1/2	1.1	32 @ 43	78
225500033	\$1,785.00	P710Z50	220/50/1	4	3/4	7.2	30 @ 43	78
225500031	\$1,785.00	P710Z50-3PH	220/50/3	4	3/4	3.3	30 @ 43	78
225500032	\$1,785.00	P710-380/3PH	380/50/3	4	3/4	1.9	30 @ 43	78
225369928	\$1,840.00	P711/Z	230/50-/60/1	4	1	8	42 @ 54	78
225500083	\$1,920.00	P711Z-3PH	230-460/60/3	4	1	4.2	42 @ 54	78
225500030	\$2,195.00	P711/3PH	220-380/50/3	4.75	1	2.5	44 @ 54	78
225500121	\$2,240.00	P711Z 1.5HP	230/60/1	4.25	1.5	10	45 @ 60	78
225500178	\$2,215.00	P711Z50 1.5HP	220/50/1	4.5	1.5	10.5	45 @ 60	78
225500154	\$3,950.00	P715 CW	230/60/3	4	1.5	6		17
225500135	\$4,415.00	P715 SW	230-460/60/3	4	1.5	6		162
225500138	\$4,515.00	P715 SW	380/50/3	4.5	1.5	3.6		182
225500159	\$4,155.00	P715 CW	230-460/60/3	4.5	2	3.4		17
225500161	\$4,205.00	P715 CW	380/50/3	4.75	2	4.1		17
225500142	\$4,945.00	P715 SW	220-380/50/3	4.75	2	4.1		162
225500162	\$5,410.00	P715 CW	230/60/3	4.5	3	9.6		206
225500134	\$5,510.00	P715 SW	460/50-60/3	4.5	3	4.8		186
225500165	\$5,275.00	P715 CW	380/50/3	4.75	3	5.8		121
225500169	\$5,920.00	P715 CW	380/50/3	5.13	5	9.2		206
225500259	\$1,580.00	Prime Time	230/50-60/1		1/6	2	25@21	

**Seawater Pump Notes:**

1. Larger seawater pumps are available. See the CW pump section.
2. Refer to spec sheet L-0242 for more information.
3. Pumps above do not include base or fittings.

# PUMPS

## Circulated Water Pump Packages

**\*\*With diaphragm-style expansion tanks\*\***

Item No.	List Price (USD)	Description
260110515	\$2,275.00	Pump Pkg PMA1000, tank, 115/60/1
260110516	\$2,325.00	Pump Pkg PMA1000C, tank, 230/50-60/1
260110517	\$2,425.00	Pump Pkg PMA1000CK, tank 240/50/1
260110519	\$2,985.00	Pump Pkg P120Z, tank, 230/50-60/1
260110512	\$3,035.00	Pump Pkg P700Z, tank, 230/50-60/1
260110514	\$3,470.00	Pump Pkg P710Z, tank, 230/50-60/1

**Note:** Includes pump, drain pan, fill assembly w/press, regulator, expansion tank, gauge, and hosebarbs.

## Pump Accessories

Item Number	List Price (USD)	Description
<b>SEAWATER STRAINERS</b>		
332784	\$70.00	Seawater Strainer, 3/4" FPT, Plastic Housing
1011100	\$295.00	ST3/4N, Seawater Strainer, 3/4" FPT, Groco
1011200	\$385.00	ST1N, Seawater Strainer, 1" FPT, Groco
1011300	\$440.00	ST1-1/4N, Seawater Strainer, 1-1/4" FPT, Groco
<b>THROUGH-HULL FITTINGS</b>		
1050800	\$100.00	STH3/4, Scoop Type Through-Hull, Bronze, 3/4" MPT
1049900	\$155.00	STH1-1/4, Scoop Type Through-Hull, Bronze, 1-1/4" MPT
1051800	\$65.00	Flush Overboard Through-Hull, Bronze, 3/4" MPT
1054100	\$19.00	Fitting Thru-Hull Plastic 1/2" MPT X 5/8" Hose
<b>BALL VALVES</b>		
330868	\$75.00	BV3/4, Ball Valve, Bronze & Stainless, 3/4" FPT
BV1	\$130.00	Ball Valve, Bronze & Stainless, 1" FPT
1060700	\$170.00	BV1-1/4, Ball Valve, Bronze & Stainless, 1-1/4" FPT
<b>HOSE BARBS/ADAPTERS</b>		
361040	\$8.40	Brass Hose Barb, 1/2" MPT x 5/8" (16mm) HB
361080	\$12.00	Brass Hose Barb, 3/4" MPT x 3/4" (19mm) HB
361060	\$24.00	Brass Hose Barb, 1" MPT x 1" (25mm) HB
1011700	\$16.00	Adapter Bronze 1/2" MPT X 5/8" Hose
1011600	\$17.00	Adapter Bronze 3/4" MPT X 3/4" Hose
335080	\$8.24	Adapter PVC 1/2" FPT X 5/8" Hose #1435-005
1054200	\$4.20	Adapter PVC 1/2" MPT X 5/8" Hose
1054700	\$6.49	Adapter PVC 90° Elbow 1/2" FPT X 5/8" Hose
335380	\$6.18	Adapter PVC 90° Elbow 1/2" MPT X 5/8" Hose
1055700	\$16.00	Adapter PVC 3/4" FPT X 3/4" Hose
1054400	\$8.57	Adapter PVC 3/4" MPT X 5/8" Hose
335230	\$3.09	Adapter PVC 3/4" MPT X 3/4" Hose
1053900	\$13.00	Adapter PVC 3/4" MPT X 1" Hose
1056000	\$9.93	Adapter PVC 90° Elbow 3/4" MPT X 3/4" Hose
1056700	\$12.00	Adapter PVC 90° Elbow 3/4" FPT X 1" Hose
335340	\$5.15	Adapter PVC 1" MPT X 3/4" Hose
1053600	\$17.00	Adapter PVC 1" FPT X 1" Hose
335200	\$4.20	Adapter PVC 1" MPT X 1" Hose
1056800	\$21.00	Adapter PVC 1-1/4" FPT X 1-1/4" Hose
1056900	\$7.35	Adapter PVC 1-1/4" MPT X 1-1/4" Hose

# PUMPS

## **Pump Accessories (cont.)**

**Item Number    List Price (USD)    Description**

### **PUMP MANIFOLDS - PVC CONSTRUCTION**

220300007	\$42.00	2 Unit Spud Manifold-"U" Configuration (1/2"FPT x 1/2"HB x 1/2"HB)
220300008	\$20.00	2 Unit Spud Manifold-"T" Configuration (1/2"FPT x 1/2"HB x 1/2"HB)
220300009	\$23.00	2 Unit Spud Manifold-"F" Configuration (1/2"FPT x 1/2"HB x 1/2"HB)
220300003	\$120.00	3 Unit Spud Manifold (3/4"HB w/ (3) 1/2"HB outlets)
220300004	\$145.00	4 Unit Spud Manifold (1"HB w/ (4) 1/2" HB outlets)
220300005	\$175.00	5 Unit Spud Manifold (1"HB w/ (5) 1/2" HB outlets)
220300006	\$265.00	6 Unit Spud Manifold (1"HB w/ (6) 1/2" HB outlets)

### **PUMP RELAYS**

224110040	\$285.00	Two Unit Solid State Relay, 115V/230V 1phase
224110050	\$320.00	Two To Six Unit Solid State Relay, 115V/230V 1phase
TBD *	Call For Pricing	Two To Six Unit Solid State Relay, 230V 3phase *

\* Note: When ordering 3 phase PRP please supply pump size, amp draw, horse power, and/or part number.

### **SEAWATER HOSE/KITS**

226000006	\$4.10	5/8" White Reinforced Seawater Hose - sold in 1' lengths (roll=250')
1022312	\$6.56	Seawater Hose, 3/4" ID, per Foot
226000049	\$95.00	Hose Seawater 5/8" x 25' White
225600010	\$440.00	3/4" Seawater Kit (thru hull, strainer, speed scoop, & ball valve)
225600015	\$950.00	1" Seawater Kit ( thru hull, strainer, speed scoop, & ball valve)
225600021	\$90.00	1/2" Seawater Strainer with Bracket
298001188	\$14.00	Mounting Bracket for 3/4" Strainer above

### **IMPELLERS**

333992	\$225.00	P100 Impeller, 2 1/2" Imp
330345	\$240.00	P110 Impeller, 2 3/4" Imp
333997	\$225.00	P120 Impeller, 3" Imp
334080	\$85.00	P300/PMA1000 Impeller, 2 7/8" Imp
334090	\$105.00	PML500 Impeller, 2 1/4" Imp (Black old style)
330118	\$85.00	PML500 Impeller, 2 3/8" Imp (White new style)
330066	\$185.00	PMA1000 Impeller, 2 5/8" Imp (Little Giant)
333995	\$225.00	P700 Impeller, 3 1/2" Imp, 1ph
330069	\$305.00	P700 Impeller, 3 1/2" Imp, 3ph
330283	\$310.00	P700 Impeller, 3 3/4" Imp, 3ph
330349	\$315.00	P710 Impeller, 3 1/2" Imp, 1ph/3ph
330353	\$315.00	P711 Impeller, 4" Imp, 60hz
335155	\$310.00	P711 Impeller, 4 1/4" #78
1039102	\$310.00	P711 Impeller, 4 1/2" #78
332597	\$310.00	P711 Impeller, 4 3/4" Imp, 3ph, 50hz
334747	\$1,105.00	P715 SW/CW Impeller, 4.5" #17
334650	\$1,240.00	P715 SW/CW Impeller, 4.75"
1014000	\$1,300.00	P715 SW/CW Impeller 5.12"
1038099	\$425.00	PH3000B3X Impeller, 4"
1038906	\$270.00	PH4000B3X Impeller, 4"
055100	\$110.00	P1500 Impeller
1031102	\$155.00	P3000 Impeller Kit 3"
1031103	\$155.00	PH3000 Impeller Kit 3 1/2"

# PUMPS

## **Pump Accessories (cont.)**

**Item Number    List Price (USD)    Description**

### **PUMP HEAD ASSY & PARTS**

725115008	\$225.00	A-507P, Pump Head Assy. PM/PMP/PML250
725115006	\$240.00	A-508P, Pump Head Assy. PM/PMP/PML500
725115004	\$210.00	Pump Head Assy. PMA1000 Complete
050800	\$14.00	O-Ring PM/PMP/PML/PMA500 Head Cover
052401	\$14.00	O-Ring PM/PMP/PML500 Housing
050900	\$14.00	O-Ring Headcover PMA1000 Pump
331073	\$40.00	Plastic Mount Base for PM/PMP/PML250 & PML500
330123	\$250.00	PML500 Wet End Assy (Pump Head, Imp., Gaskets & Seal)
334058	\$305.00	P510 Little Giant Wet End Assy
331692	\$175.00	PMA500 Wet End Assy (Pump Head, Imp., Gaskets & Seal)
334007	\$235.00	PMA1000 March Wet End Assembly (Pump Head, Impeller, Gaskets, and Seal)
1031000	\$660.00	P1500 Pump Head Assy
1031101	\$870.00	Housing with hardware P3000/PH3000 Pumps

### **MOUNT KIT & SEAL/GASKET KIT**

725115001	\$65.00	Mount Kit for PMA500 & PMA1000
297000040	\$110.00	Mount Kit for P1500/P3000/PH3000BXT
333990	\$90.00	Seal Kit #67-68 (P100-P700-PS1500BX- PS2200BX)
333169	\$235.00	Seal Kit #16B-17 type 206 - #121 type TCX (P715)
330071	\$150.00	Seal Kit #72-78 (P710-P711-PS1500B3X - PH3000B3X, P3600BX - PH4000B3X)
335216	\$65.00	Seal Kit for PS700 (Z) & PS715
332068	\$310.00	Seal Kit #17 type 17 - #121 type 121 CW 1.5"
725112000	\$250.00	Seal Kit P1200 (beginning serial #449xxxxx, dated 12/5/04)
725115007	\$95.00	Seal Kit P1500BX/L old gasket w/seals (w/serial #s before 515xxxxx, 4/15/05)
725115000	\$135.00	Seal Kit P1500BX (beginning w/ serial # 515xxxxx, dated 4/15/05)
725115002	\$90.00	Seal Kit P3000BXL old style (w/ serial #s before 449xxxxx, dated 12/5/04)
725130000	\$135.00	Seal Kit P3000BX & BXL (beginning w/ serial #s 449xxxxx, dated 12/5/04)
1032310	\$265.00	Kit Pump Repair P1200B old style w/ seals, gasket & impeller
055000	\$9.60	Gasket Head P1500 (use w/ serial #s before #515xxxxx, 4/15/05)
056000	\$7.47	Gasket Head P3000 (use w/ serial #s before #449xxxxx, 12/5/04)

### **WATER FITTINGS AND MANIFOLDS**

338454	\$4.12	Bushing, PVC, 1/2" FPT x 3/4" MPT
220300153	\$135.00	M11-2, 1/2" FPT Inlet, 2x 5/8" 90° Outlet
220300147	\$110.00	M12-2, 3/4" FPT Inlet, 2x 5/8" Outlets
220300148	\$170.00	M12-3, 3/4" FPT Inlet, 3x 5/8" Outlets
220300152	\$295.00	M12-4, 3/4" FPT Inlet, 4x 5/8" Outlets
220300155	\$180.00	M16-2, 1" FPT Inlet, 2x 5/8" Outlets
220300151	\$190.00	M16-3, 1" FPT Inlet, 3x 5/8" Outlets
220300150	\$240.00	M16-4, 1" FPT Inlet, 4x 5/8" Outlets
220300149	\$295.00	M16-5, 1" FPT Inlet, 5x 5/8" Outlets
220300154	\$415.00	M16-6, 1" FPT Inlet, 6x 5/8" Outlets
220300161	\$465.00	M16-7, 1" FPT Inlet, 7x 5/8" Outlets

# PUMPS

## CRUISAIR AUTHORIZED DISTRIBUTORS & DEALERS ONLY

<u>Item Number</u>	<u>List Price (USD)</u>	<u>Model</u>	<u>Capacity</u>	<u>Power</u>	<u>Ign. Prot</u>	<u>Inlet</u>	<u>Outlet</u>
225500273	\$1,345.00	P1200BXT-SP	1200 @ 5'	115/230	No	1" FPT	1" FPT
225500270	\$1,075.00	P1500BXT	1320 @ 5'	115/230	No	3/4" FPT	1/2" MPT
225500284	\$1,305.00	PS1500BX	1500 @ 7'	115/230	No	1 1/4" FPT	1" FPT
225500294	\$1,465.00	PS1500B3X	1500 @ 15'	230/480	No	1 1/4" FPT	1" FPT
225500277	\$1,320.00	PS1800BX	1800 @ 15'	115/230	No	1 1/4" FPT	1" FPT
225500279	\$1,300.00	PS2200BX	2200 @ 15'	115/230	No	1 1/4" FPT	1" FPT
225500271	\$1,440.00	P3000BXT	3000 @ 7'	115/230	No	1 1/4" FPT	1" FPT
225500305	\$1,660.00	PLC3000BX	3000 @ 25'	115/230	No	1 1/2" FPT	1 1/2" FPT
225500272	\$1,430.00	PH3000BXT	3000 @ 20'	115/230	No	1 1/4" FPT	1" FPT
225500314	\$2,030.00	PS3000B3X	3000 @ 20'	230/460	No	1 1/4" FPT	1" FPT
225500280	\$2,755.00	PH3000BX-SP	3000 @ 30'	115/230	No	1 1/2" FPT	1 1/2" FPT
225500291	\$1,875.00	P3600BX	4200 @ 20'	115/230	No	1 1/2" FPT	1 1/2" FPT
225500292	\$1,865.00	P3600B3X	4200 @ 20'	230/460	No	1 1/2" FPT	1 1/2" FPT

### PUMP RELAYS, TRIGGERS AND PARTS

<u>Item Number</u>	<u>List Price (USD)</u>	<u>Description</u>
724200022	\$310.00	PR3X, Pump Relay, 115/230V, Up to 3 Triggers (not included)
724200017	\$335.00	PR3X-2, Pump Relay, 115/230V, with two 115V Triggers
724200015	\$335.00	PR3X-2C, Pump Relay, 115/230V, with two 230V Triggers
724200018	\$360.00	PR3X-3, Pump Relay, 115/230V, with three 115V Triggers
724200016	\$360.00	PR3X-3C, Pump Relay, 115/230V, with three 230V Triggers
724200019	\$325.00	PR8X, Pump Relay, 115/230V, Up to 8 Triggers (not included)
724200024	\$435.00	PR8X-4, Pump Relay, 115/230V, with four 115V Triggers
724200020	\$435.00	PR8X-4C, Pump Relay, 115/230V, with four 230V Triggers
724200021	\$460.00	PR8X-5C, Pump Relay, 115/230V, with five 230V Triggers
724200027	\$490.00	PR8X-6C, Pump Relay, 115/230V, with six 230V Triggers
724200026	\$520.00	PR8X-7C, Pump Relay, 115/230V, with seven 230V Triggers
4134000	\$175.00	Relay Solid State 25 AMP 48-280VAC
4134100	\$175.00	Relay Solid State 40 AMP 48-280VAC
4134200	\$250.00	Relay Solid State 75 AMP 48-280VAC
758000006	\$41.00	A-548, Replacement To-3 Triac
701800008	\$90.00	A-551, Stud Triac Repl. Assy.
4220048	\$85.00	A-552, Relay P.C. Board PR3X, PR8X, PWX
TR115	\$65.00	Relay Trigger 115V-for PR3X 8X & PWX
TR230	\$65.00	Relay Trigger 230V- for PR3X 8X & PWX
4130830	\$240.00	Contactora 120V 3 Pole 30A, use on all D & E Models with 115V control
4130630	\$230.00	Contactora 240V 3 Pole 30A, use on all DC & EC Models with 230V control

# Circulating Loop Components

## CW Loop Components

**Item**                      **List Price (USD)**    **Description**

### Expansion Tanks

1063515	\$145.00	Exp Tank, 2 gal, up to 30-tons, 1/2" MPT
1063530	\$230.00	Exp Tank, 4.4 gal, up to 60-tons, 1/2" MPT
1063560	\$485.00	Exp Tank, 7.6 gal, up to 100-tons, 1/2" MPT



Note: Select tank based on total air handler capacity.

### Fill Components

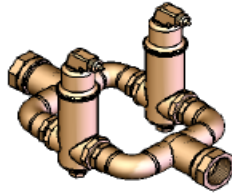
263400101	\$310.00	HWRV Fill Assembly, 1/2"FPT, Press. Reducer & Fill Valve
334758	\$220.00	Press. Reducing Valve, 12psi, fast-fill, 1/2" FPT
335225	\$635.00	Backflow preventer for fill line, 1/2"FPT (Reduced Press Zone)
1070200	\$205.00	Back Flow Preventer 1/2" FPT (not for permanent connection)
1070201	\$395.00	Pressure Regulator/Relief Valve 1/2" FPT
1070030	\$65.00	Pressure Gauge, 0 - 30 PSI, 1/4" FPT
1070031	\$65.00	Pressure Gauge, 0 - 60 PSI, 1/4" MPT



### Air/Dirt/Air-and-Dirt Separators

334152	\$205.00	1/2" Spirotop (install at high points in CW system)
334132	\$440.00	1-1/4" inline Spirovent, 15gpm (60k BTU/hr)X
334151	\$615.00	1-1/2" inline Spirovent, 30gpm (120k BTU/hr)X
297700297	\$3,100.00	DSV2/240 Dual Spirovent, 2" FPT, 60gpm (240k BTU/hr)

\*If interested in these items, please contact your Cruisair Sales/Applications Representative.



### Loop Y-Strainers

1010012	\$225.00	"Y" Strainer, Bronze, 1 1/4" FPT
335345	\$400.00	"Y" Strainer, Bronze, 1 1/2" FPT
335404	\$505.00	"Y" Strainer, Bronze, 2" FPT
335263	\$825.00	"Y" Strainer, Bronze, 2 1/2" FPT
335264	\$1,120.00	"Y" Strainer, Bronze, 3" FPT

### Balancing Flow Controls (see note)

264600006	\$400.00	Balancing Flow Control, 1/2" FPT
264600011	\$455.00	Balancing Flow Control, 3/4" FPT
264600009	\$455.00	Balancing Flow Control, 3/4" FPT
264600007	\$455.00	Balancing Flow Control, 3/4" FPT
264600015	\$580.00	Balancing Flow Control, 1" FPT
264600014	\$580.00	Balancing Flow Control, 1" FPT
264600013	\$580.00	Balancing Flow Control, 1" FPT
264600020	\$630.00	Balancing Flow Control, 1 1/4" FPT
264600019	\$630.00	Balancing Flow Control, 1 1/4" FPT
264600017	\$630.00	Balancing Flow Control, 1 1/4" FPT
264600016	\$630.00	Balancing Flow Control, 1 1/4" FPT

#### Notes:

1. Subtract Chiller capacity (BTU/hr) from total Air Handler capacity to get BFC size (BTU load).
2. If an exact BFC size is not available, select the next smaller size.



# Add Ons And Specialty Units

## Breathe Easy™ Air Purifier

Item Number	List Price (USD)	Description
4210805	\$129.00	Breathe Easy™ Prtble Air Purifier, 12-115-230
229801254	\$640.00	Breathe Easy™ UV Tube 4"
229801255	\$640.00	Breathe Easy™ UV Tube 5"
229801252	\$640.00	Breathe Easy™ UV Tube 6"
229801253	\$740.00	Breathe Easy™ UV Tube 7"
229801256	\$740.00	Breathe Easy™ UV Tube 8"
229801604	\$840.00	Breathe Easy™ UV Tube 10"
4210800	\$85.00	Lamp, UV 5" Induct (used in 4, 5 and 6" tubes)
4210802	\$95.00	Lamp, UV 8" Induct (used in 7 and 8" tubes)
4210833	\$105.00	Ballast, UV Lamp (for AU Air Handlers)



## WhisperFan Controller

Item Number	List Price (USD)	Description
4220054	\$865.00	WhisperFan Controller 115V
4220053	\$865.00	WhisperFan Controller 230V



## Sound Covers (Turbo Units)

Item Number	List Price (USD)	Description
8010106	\$220.00	Sound Cover, Tall VT/ST 6-8K
8010110	\$220.00	Sound Cover Short, VT/ST10-12K
8010112	\$220.00	Sound Cover Tall, VT/ST10-12K
8010114	\$220.00	Sound Cover Short, VT/ST14-16K
8010116	\$220.00	Sound Cover Tall, VT/ST14-16K
336019	\$12.00	Sound Cover VT/S Hardware Pack



## Smart Start™ Devices (Reduce Startup Surge)

Item Number	List Price (USD)	Description
337975	\$530.00	SmartStart™, 115V, 60Hz, 6K-18K
337976	\$530.00	SmartStart™, 208-240V/50-60Hz, 12K-30K
337977	\$530.00	SmartStart™, 208-240V/50-60Hz, 36K-60K
4220045	\$14.00	SmartStart™ Mounting Tray



## Pilot House Defroster

Item Number	List Price (USD)	Description
215212005	\$2,850.00	PHD12HVZ-1.5KW Defroster, 230V, 3" rings
223150010	\$405.00	Control PHD/Z-WHT 3Position: DEF/FAN/Off
223150011	\$405.00	Control PHD/Z-BLK 3Position: DEF/FAN/Off
235000108	\$105.00	Repl Filter w/frame for PHD 17.75W X 8.75T Black



## CRUISAIR SYSTEMS ONLY

### Auxiliary Duct Heaters (Heat Modules)

Item Number	List Price (USD)	Description
715230214	\$770.00	HMDL1-5, 1KW, 5", 115V
715230125	\$770.00	HMDL1.5-6, 1.5KW, 6", 115V
715230123	\$770.00	HMDL1.5-7, 1.5KW, 7", 115V
715230213	\$770.00	HMDL1C-5, 1KW 5", 230V
715230126	\$770.00	HMDL1.5C-6, 1.5kW, 6", 230V
715230212	\$790.00	HMDL2-7, 2KW, 7", 115V
HMDL2C-7	\$790.00	HMDL2C-7, 2KW, 7", 230V
715230730	\$790.00	HMDL3C-9, 3KW, 9", 230V
724600007	\$430.00	Auxiliary Heat Relay, 75Amp, 230V



# Add Ons And Specialty Units

## Pilot House Defroster Sign-off

PROPRIETARY NOTE: THE INFORMATION CONTAINED WITHIN THIS DOCUMENT IS THE PROPERTY OF DOMETIC CORPORATION. ANY ATTEMPT TO COPY OR DISTRIBUTE WITHOUT WRITTEN CONSENT FROM DOMETIC CORPORATION SHALL BE CONSIDERED UNLAWFUL AND CAN BE CONTESTED IN A COURT OF LAW.	REV	DATE	REVISION DESCRIPTION	DWG	APR
	A	4/18/02	UPDATE PROPRIETARY NOTE, ADD REV BLK, CAD225-02	DRR	JES
	B	1/10/05	REMOVED MARINE AIR FROM TITLE BLOCK, CAD028-05	DRR	JES
PLEASE INDICATE AIR OUTLET CONFIGURATION, OBOUND OR ROUND RINGS AND RING SIZE ON THE APPROPRIATE SIDE OF DEFROSTER  HOLE SIZES FOR RINGS: 3" - 3.125" 4" - 4.0625" 5" - 4.9375" 6" - 6.0625" 7" - 7.0625" 5" OB - 6.375" X 2.250" 6" OB - 7.250" X 3.250" 7" OB - 8.0625" X 3.250"			MINIMUM OUTLET AREA IS 58 SQ. IN. AREA SIZES ARE: 3" = 7.07 SQ. IN. 4" = 12.6 SQ. IN. 5" = 19.6 SQ. IN. 6" = 28.3 SQ. IN. 7" = 38.5 SQ. IN.  MINIMUM DISTANCE BETWEEN HOLE AND EDGE OF SIDE IS .500"  MINIMUM DISTANCE FROM HOLE EDGE TO HOLE EDGE IS .250"		
<b>CUSTOMER SIGN OFF</b> DATE: _____ COMPANY NAME: _____ YACHT MODEL: _____ SIGNATURE: _____ PRINT NAME: _____			<b>Dometic Corporation</b> <b>PILOT HOUSE DEFROSTER - CUSTOMER SIGN OFF</b> <b>DUCTING RING LOCATIONS AND CONFIGURATION</b>		
DATE: 7-31-08		DWG BY: RMW		PART NUMBER:	
SCALE: 1/8		APR BY: DD		DWG: M3020030	
				REV B	

# Add-ons and Specialty Units

## Chill Chasers

<u>Item Number</u>	<u>List Price (USD)</u>	<u>KW</u>	<u>Description</u>
<b>Aux. Heater Assemblies for AT Units</b>			
264200021	\$595.00	1KW	CHL CHSR 1KW AT6LH W/CVR
264400510	\$595.00	1KW	CHL CHSR 1KW AT6RH W/CVR
264400506	\$595.00	1KW	CHL CHSR 1KW AT18LH W/CVR
264400517	\$595.00	1KW	CHL CHSR 1KW AT18RH W/CVR
264400520	\$595.00	1KW	CHL CHSR 1KW AT24LH W/CVR
264400521	\$595.00	1KW	CHL CHSR 1KW AT24RH W/CVR
264400508	\$635.00	1.5KW	CHL CHSR 1.5KW AT9/16LH-CVR
264400528	\$635.00	1.5KW	CHL CHSR 1.5KW AT9RH-CVR
264400531	\$635.00	1.5KW	CHL CHSR 1.5KW AT12LH-CVR
264400532	\$635.00	1.5KW	CHL CHSR 1.5KW AT12RH-CVR
264400535	\$635.00	1.5KW	CHL CHSR 1.5KW AT18LH-CVR
264400536	\$635.00	1.5KW	CHL CHSR 1.5KW AT18RH-CVR
264400538	\$635.00	1.5KW	CHL CHSR 1.5KW AT24LH-CVR
264400542	\$635.00	1.5KW	CHL CHSR 1.5KW AT36LH-CVR
264400507	\$695.00	2KW	CHL CHSR 2KW AT12LH W/CVR
264400502	\$670.00	2KW	CHL CHSR 2X1KW AT18LH W/CVR
264400573	\$670.00	2KW	CHL CHSR 2X1KW AT18RH W/CVR
264400546	\$670.00	2KW	CHL CHSR 2X1KW AT24LH W/CVR
264400547	\$670.00	2KW	CHL CHSR 2X1KW AT24RH W/CVR
264400555	\$755.00	3KW	CHL CHSR 2X1.5KW AT18LH-CVR
264400553	\$755.00	3KW	CHL CHSR 2X1.5KW AT18RH-CVR
264400503	\$755.00	3KW	CHL CHSR 2X1.5KW AT24LH-CVR
264400556	\$755.00	3KW	CHL CHSR 2X1.5KW AT24RH-CVR
<b>Aux. Heater Assemblies for AU Units</b>			
264400569	\$580.00	1KW	CHL CHSR 1KW AU6Z-LH/RH-CVR
264400574	\$580.00	1KW	CHL CHSR 1KW AU9-12Z-LH/RH CVR
264400575	\$590.00	1KW	CHL CHSR 1KW AU18Z-LH/RH CVR
264400576	\$590.00	1KW	CHL CHSR 1KW AU24Z-LH/RH CVR
264400565	\$590.00	1.5KW	CHL CHSR 1.5KW AU9-12Z-LH/RH CVR
264400570	\$590.00	1.5KW	CHL CHSR 1.5KW AU18Z-LH/RH CVR
264400572	\$580.00	1.5KW	CHL CHSR 1.5KW AU24Z-LH/RH CVR
264400568	\$680.00	2KW	CHL CHSR 2KW AU9-12Z-LH-CVR
264400564	\$650.00	3KW	CHL CHSR 2X1.5KW AU18Z-LH/RH CVR
264400563	\$650.00	3KW	CHL CHSR 2X1.5KW AU24Z-LH/RH CVR
<b>Aux. Heater Assemblies for AU Units with Breathe Easy</b>			
264400611	\$1,110.00	1KW	CHL CHSR BE 1KW AU6Z-LH-CVR
264400610	\$1,110.00	1KW	CHL CHSR BE 1KW AU9-12Z-LH-CVR
264400615	\$1,110.00	1.5KW	CHL CHSR BE 1.5KW AU9-12Z-LH-CVR
264400609	\$1,160.00	1.5KW	CHL CHSR BE 1.5KW AU18Z-LH CVR
264400608	\$1,160.00	1.5KW	CHL CHSR BE 1.5KW AU24Z-CVR
264400616	\$1,490.00	3KW	CHL CHSR BE 2X1.5KW AU18Z-LH CVR
264400614	\$1,490.00	3KW	CHL CHSR BE 2X1.5KW AU24Z CVR

# ACCESSORIES

<b>AIR FILTERS</b>			
<b>Item Number</b>	<b>List Price (USD)</b>	<b>Description</b>	<b>Inches (WxL)</b>
<b>Black Mesh Filters for Self-Contained Units</b>			
335589	\$1.18	FILTER, MESH PLSTC BLK 18"W RL	
235000508	\$22.00	FILTER, MESH BLK VC/SF/CMC12-16/1	11 x 12.5
235000511	\$22.00	FILTER, MESH BLK VC/SF24	16.5 x 16.75
235000522	\$22.00	FILTER, MESH BLK	9.5 x 11
<b>Micro-Particle Anti-Allergenic Filters for Self-Contained Units</b>			
235000600	\$30.00	FILTER, MICRO VC-SF-CL-ZF5(/1)	7.875 x 9
235000601	\$30.00	FILTER, MICRO VC-SF-CMC7(/1)	9.375 x 10
235000602	\$30.00	FILTER, MICRO SXR7	8.125 x 8
235000603	\$35.00	FILTER, MICRO VC-CL-ZF-CMC10/1	10.875 x 10
235000604	\$35.00	FILTER, MICRO VC-SF-CMC10 LC-ZF10	11.875 x 10
235000605	\$35.00	FILTER, MICRO VC-SF-CL-ZF-CMC12/1	10.875 x 12
235000606	\$35.00	FILTER, MICRO VC-SF12-16 CL-ZF-CM	11.875 x 12
235000607	\$75.00	FILTER, MICRO VC-SF24(/1)	16.375 x 16
235000638	\$37.00	FILTER, MICRO VT6-8K 10.25HX8.875	8.875 x 10.25
235000639	\$42.00	FILTER, MICRO VT10-12K 11.5HX10.8	10.875 x 11.50
<b>Replacement Filter for EBDE Units</b>			
2030210	\$18.00	FILTER AIR EBDE30-72	18X18X1
<b>Replacement Filters for AU Air handlers</b>			
235000906	\$32.00	FILTER, POLY AU6	8 x 10
235000909	\$42.00	FILTER, POLY AU9-12	10 x 12
235000918	\$47.00	FILTER, POLY AU18	13.5 X 12
235000924	\$60.00	FILTER, POLY AU24	16 x 14
<b>Replacement Filters for AT Air handlers</b>			
235000526	\$14.00	FILTER, MESH BLK AT6	8.25 x 8
235000527	\$14.00	FILTER, MESH BLK AT9	10 x 10
235000528	\$14.00	FILTER, MESH BLK AT12	11.875 x 10
235000529	\$14.00	FILTER, MESH BLK AT18 & 18-MU	13.5 x 13
235000530	\$19.00	FILTER, MESH BLK AT24 & 24-MU	16 x 15.5
235000531	\$29.00	FILTER, MESH BLK AT36	18 x 18
235000535	\$15.00	FILTER, MESH BLK ATL18	7.25 x 25
235000625	\$28.00	FILTER, MICRO AT4	8 x 8
235000626	\$28.00	FILTER, MICRO AT6	8 x 8.25
235000627	\$37.00	FILTER, MICRO AT9	10 x 10
235000628	\$43.00	FILTER, MICRO AT12	10 x 12
235000629	\$70.00	FILTER, MICRO AT15-18	13 x 13.5
235000630	\$85.00	FILTER, MICRO AT24	15.5 x 16
235000631	\$95.00	FILTER, MICRO AT36	18 x 18
235000925	\$47.00	FILTER, POLY AT15/18	13.5 x 13
235000927	\$42.00	FILTER, POLY AT9	10 x 10
235000928	\$42.00	FILTER, POLY AT12	12 x 10
235000929	\$60.00	FILTER, POLY AT24	16 x 15
<b>Replacement Filters for AH Draw thru Air Handlers</b>			
235000051	\$25.00	FILTER, R/A CLMBS 6DT2 AH6DT2,	11 x 9
235000052	\$29.00	FILTER, R/A CLMBS 9/12DT2 AH9-12DT2	14.5 x 11
235000065	\$39.00	FILTER, R/A CLMBS 18DT2 AH18DT2	16 x 14
235000054	\$43.00	FILTER, R/A CLMBS 24DT2 AH24DT2	17 x 15.75

# ACCESSORIES

## **Round Plastic Grilles**

<b>Item Number</b>	<b>List Price (USD)</b>	<b>Description</b>
333438	\$21.00	Round Plastic grille, 2" Euro Style, Black
333441	\$21.00	Round Plastic grille, 2" Euro Style, White
333443	\$21.00	Round Plastic grille, 2" Euro Style, Off-White
333437	\$21.00	Round Plastic grille, 3" Euro Style (flat w/ridged edge), Black
333442	\$21.00	Round Plastic grille, 3" Euro Style (flat w/ridged edge), Off White
333439	\$21.00	Round Plastic grille, 3" Euro Style (flat w/ridged edge), White
2071002	\$21.00	Round Plastic grille, 3" Global Style (convex & smooth), Black
2071003	\$21.00	Round Plastic grille, 3" Global Style (convex & smooth), Off White
2071004	\$21.00	Round Plastic grille, 3" Global Style (convex & smooth), White
2060301	\$17.00	Reducer to connect 3" hose to a V4 RND
228710001	\$16.00	3" Plastic Adapter (to connect 3" ducting to the 4SA)
339660	\$14.00	Round Plastic grille, 4", Tan
333351	\$9.00	Round Plastic grille, 4", Tan No Damper
335162	\$11.00	Round Plastic grille, 4", Black
V4 RND BROWN	\$14.00	Round Plastic grille, 4", Brown, V4
339284	\$12.00	Round Plastic grille, 4", White
332485	\$9.00	Round Plastic grille, 4", White No Damper
369947	\$12.00	Round Plastic grille,, 4", Off White 4SA
330571	\$9.00	Round Plastic grille, 4", Off White 4SA No Damper
339670	\$12.00	Round Plastic grille, 4", Black 4SA
339680	\$14.00	Round Plastic grille, 4", Brown 4SA
339690	\$11.00	Round Plastic grille, 4", Brown 4SA No Damper
717650003	\$16.00	Round Plastic grille, 4", Beige
335078	\$19.00	Round Plastic grille, 5", White No Damper

## **Plastic Grilles with Plenums**

217316016	\$65.00	V5X5 PGA-4TB, Plastic Discharge grille, Moveable Vanes, w/ 4" Ring on Back
217316025	\$110.00	V8X4 PGA-4TB, Plastic Discharge grille, Moveable Vanes, w/ 4" Ring on Back
217316031	\$110.00	V8X4 PGA-5TB, Plastic Discharge grille, Moveable Vanes, w/ 5" Ring on Back
217316009	\$115.00	V10X4 PGA-5TB, Plastic Discharge grille, Moveable Vanes, w/ 5" Ring on Back
217316021	\$120.00	V10X5 PGA-5TB, Plastic Discharge grille, Moveable Vanes, w/ 5" Ring on Back
217316041	\$135.00	V10X8 PGA-6TB, Plastic Discharge grille, Moveable Vanes, w/ 6" Ring on Back
217316032	\$135.00	V10X8 PGA-7TB, Plastic Discharge grille, Moveable Vanes, w/ 7" Ring on Back
217316038	\$115.00	V12X4 PGA-5TB, Plastic Discharge grille, Moveable Vanes, w/ 5" Ring on Back

## **Plastic Grilles with Mounting Frames**

217316057	\$95.00	V4X10 PGA-R, Plastic Discharge grille, Moveable Vanes, w/ Frame
V6X10 PGA-R	\$100.00	V6X10 PGA-R, Plastic Discharge grille, Moveable Vanes, w/ Frame
217316002	\$80.00	V8X4 PGA-R, Plastic Discharge grille, Moveable Vanes, w/ Frame
217316010	\$90.00	V10X4 PGA-R, Plastic Discharge grille, Moveable Vanes, w/ Frame
217316054	\$110.00	V8X8 PGA-R, Plastic Discharge grille, Moveable Vanes, w/ Frame
217316015	\$130.00	V10X8 PG-RF, Plastic Return-Air grille, Fixed Vanes, w/ Frame and Filter
217316000	\$125.00	V10X10 PG-RF, Plastic Return-Air grille, Fixed Vanes, w/ Frame and Filter
217316052	\$130.00	V10X14 PG-RF, Plastic Return-Air grille, Fixed Vanes, w/ Frame and Filter
217316020	\$130.00	V12X12 PG-RF, Plastic Return-Air grille, Fixed Vanes, w/ Frame and Filter
217316018	\$140.00	V14X12 PG-RF, Plastic Return-Air grille, Fixed Vanes, w/ Frame and Filter

# ACCESSORIES

## **Aluminum Return Air Grilles No Filter**

<b>Item Number</b>	<b>List Price (USD)</b>	<b>Size</b>	<b>Description</b>
V8X6 RA	\$35.00	8X6TRA(AL)	8" x 6" aluminum return grille, 8" louvers - no filter
2071048	\$35.00	8X8TRA(AL)	8" x 8" aluminum return grille, 8" louvers - no filter
217000199	\$41.00	8X11TRA(AL)	8" x 11" aluminum return grille 8" louvers - no filter
V10X10 RA	\$50.00	10X10TRA(AL)	10" x 10" aluminum return grille, 10" louvers - no filter
V10X12 RA	\$50.00	10X12TRA(AL)	10" x 12" aluminum return grille, 10" louvers - no filter
217000228	\$31.00	10X4TRA(AL)	10" x 4" aluminum return grille 10" louvers - no filter
V10X6 RA	\$37.00	10X6TRA(AL)	10" x 6" aluminum return grille, 10" louvers - no filter
217300152	\$37.00	10X8TRA(AL)	10" x 8" aluminum return grille, 10" louvers - no filter
217000226	\$47.00	11X12TRA(AL)	11" x 12" aluminum return grille 11" louvers - no filter
217300012	\$37.00	11X7TRA(AL)	11" x 7" aluminum return grille 11" louvers - no filter
217000202	\$65.00	11X8TRA(AL)	11" x 8" aluminum return grille 11" louvers - no filter
335856	\$80.00	12X12TRA(AL)	12" x 12" aluminum return grille 12" louvers - no filter
V12X12 RA	\$50.00	12X12TRA(AL)	12" x 12" aluminum return grille, 12" louvers - no filter
V12X6 RA	\$37.00	12X6TRA(AL)	12" x 6" aluminum return grille, 12" louvers - no filter
217000224	\$39.00	14X7TRA(AL)	14" x 7" aluminum return grille 14" louvers - no filter
217000223	\$47.00	14X10TRA(AL)	14" x 10" aluminum return grille 14" louvers - no filter
V14X10 RA	\$50.00	14X10TRA(AL)	14" x 10" aluminum return grille, 14" louvers - no filter
217000221	\$50.00	14X12TRA(AL)	14" x 12" aluminum return grille 14" louvers - no filter
V14X14 RA	\$55.00	14X14TRA(AL)	14" x 14" aluminum return grille, 14" louvers - no filter
2071049	\$45.00	16X6TRA(AL)	16" x 6" aluminum return grille, 16" louvers - no filter
217000220	\$47.00	16X9TRA(AL)	16" x 9" aluminum return grille 16" louvers - no filter
217000225	\$50.00	20X5TRA(AL)	20" x 5" aluminum return grille 20" louvers - no filter
V22X14 RA	\$80.00	22X14TRA(AL)	22" x 14" aluminum return grille, 22" louvers - no filter
217000222	\$50.00	22X7TRA(AL)	22" x 7" aluminum return grille 22" louvers - no filter

## **Aluminum Return Air grilles With Filter**

V8X8 RAFB	\$70.00	8X8TRAF(AL)	8" x 8" aluminum return grille, 8" louvers - filterback
217000238	\$70.00	8X11TRAF(AL)	8" x 11" aluminum return grille 8" louvers - filterback
V10X10 RAFB	\$80.00	10X10TRAF(AL)	10" x 10" aluminum return grille, 10" louvers - filterback
217000239	\$80.00	10X4TRAF(AL)	10" x 4" aluminum return grille 10" louvers - filterback
217000236	\$80.00	11X12TRAF(AL)	11" x 12" aluminum return grille 11" louvers - filterback
217000241	\$70.00	11X7TRAF(AL)	11" x 7" aluminum return grille 11" louvers - filterback
217000232	\$70.00	11X8TRAF(AL)	11" x 8" aluminum return grille 11" louvers - filterback
217000240	\$90.00	12X12TRAF(AL)	12" x 12" aluminum return grille 12" louvers - filterback
V12X12 RAFB	\$80.00	12X12TRAF(AL)	12" x 12" aluminum return grille, 12" louvers - filterback
217000233	\$85.00	14X10TRAF(AL)	14" x 10" aluminum return grille 14" louvers - filterback
217000230	\$85.00	14X12TRAF(AL)	14" x 12" aluminum return grille 14" louvers - filterback
217300241	\$105.00	14X14TRAF(AL)	14" x 14" aluminum return grille 14" louvers - filterback
217300038	\$150.00	14X20TRAF(AL)	14" x 20" aluminum return grille 14" louvers - filterback
217000234	\$70.00	14X7TRAF(AL)	14" x 7" aluminum return grille 14" louvers - filterback
217000229	\$85.00	16X9TRAF(AL)	16" x 9" aluminum return grille 16" louvers - filterback
217000235	\$85.00	20X5TRAF(AL)	20" x 5" aluminum return grille 20" louvers - filterback
217000231	\$90.00	22X7TRAF(AL)	22" x 7" aluminum return grille 22" louvers - filterback
217000237	\$100.00	28X6TRAF(AL)	28" x 6" aluminum return grille 28" louvers - filterback

# ACCESSORIES

<b>Aluminum Double Deflection Supply Grilles with Front Blades Vertical</b>			
<b>Item Number</b>	<b>List Price (USD)</b>	<b>Size</b>	<b>Description</b>
V5X12 VH	\$49.00	5X12 V-H	Aluminum Discharge grille
V6X4 VH	\$45.00	6X4 VH-H	Aluminum Discharge grille
V6X8 VH	\$47.00	6X8 VH-H	Aluminum Discharge grille
V6X10 VH	\$49.00	6X10 V-H	Aluminum Discharge grille
V6X12 VH	\$49.00	6X12 V-H	Aluminum Discharge grille
V7X7 VH	\$47.00	7X7 VH-H	Aluminum Discharge grille
V8X10 VH	\$65.00	8X10 V-H	Aluminum Discharge grille
V8X8 VH	\$49.00	8X8 VH-H	Aluminum Discharge grille
V10X4 VH	\$50.00	10X4 V-H	Aluminum Discharge grille
V12X4 VH	\$65.00	12X4 V-H	Aluminum Discharge grille
V12X12 VH	\$65.00	12X12 -H	Aluminum Discharge grille
V14X5 VH	\$49.00	14X5 V-H	Aluminum Discharge grille
V20X4 VH	\$65.00	20X4 V-H	Aluminum Discharge grille
<b>Aluminum Discharge Grilles with Shutoff Damper</b>			
217300085	\$44.00	4X4 VML	Aluminum Discharge grille, with Damper
V6X10 VML	\$60.00	6X10 VML	Aluminum Discharge grille, with Damper
V8X4 VML	\$55.00	8X4 VML	Aluminum Discharge grille, with Damper
V8X6 VML	\$60.00	8X6 VML	Aluminum Discharge grille, with Damper
V8X8 VML	\$60.00	8X8 VML	Aluminum Discharge grille, with Damper
V10X4 VML	\$65.00	10X4 VML	Aluminum Discharge grille, with Damper
V12X4 VML	\$65.00	12X4 VML	Aluminum Discharge grille, with Damper
<b>Aluminum Supply Air Grills - Horizontal Louvers</b>			
217000201	\$31.00	4X4TH(AL)	4"x4"TH anodized supply grille w/4" horizontal louvers
217000197	\$33.00	7X7TH(AL)	7"x7"TH anodized supply grille w/7" horizontal louvers
217000200	\$31.00	8X4TH(AL)	8"x4"TH anodized supply grille w/8" horizontal louvers
217000198	\$30.00	10X4TH(AL)	10"x4"TH anodized supply grille w/10" horizontal louvers
217000208	\$33.00	10X5TH(AL)	10"x5"TH anodized supply grille w/10" horizontal louvers
<b>Aluminum Supply Air Grills - Vertical Louvers</b>			
217000218	\$31.00	10X4TV(AL)	10"x4"TV anodized supply grille w/4" vertical louvers
217300128	\$31.00	12X3TV(AL)	12"x3"TV anodized supply grille w/3" vertical louvers
217300129	\$33.00	12X4TV(AL)	12"x4"TV anodized supply grille w/4" vertical louvers
217300130	\$33.00	12X5TV(AL)	12"x5"TV anodized supply grille w/5" vertical louvers
217300131	\$37.00	12X6TV(AL)	12"x6"TV anodized supply grille w/6" vertical louvers
217300132	\$31.00	14X4TV(AL)	14"x4"TV anodized supply grille w/4" vertical louvers
217300133	\$37.00	14X5TV(AL)	14"x5"TV anodized supply grille w/5" vertical louvers
217300134	\$39.00	14X6TV(AL)	14"x6"TV anodized supply grille w/6" vertical louvers
217300135	\$39.00	14X7TV(AL)	14"x7"TV anodized supply grille w/7" vertical louvers
217300138	\$37.00	16X4TV(AL)	16"x4"TV anodized supply grille w/4" vertical louvers
217300140	\$41.00	18X3TV(AL)	18"x3"TV anodized supply grille w/3" vertical louvers
217300141	\$44.00	20X5TV(AL)	20"x5"TV anodized supply grille w/5" vertical louvers



# ACCESSORIES

<b><i>Teak Return Air Wood Grilles (with Filter)</i></b>			
<b><u>Item Number</u></b>	<b><u>List Price (USD)</u></b>	<b><u>Size</u></b>	<b><u>Description</u></b>
217400406	\$150.00	4X8RA(TB)	TK/BRZ
217400419	\$160.00	4X12RA(TB)	TK/BRZ
217400150	\$160.00	7X7RA(TB)	TK/BRZ
217400079	\$170.00	8X8RA(TB)	TK/BRZ
217400176	\$170.00	8X10RA(TB)	TK/BRZ
217400137	\$190.00	10X10RA(TB)	TK/BRZ
217400323	\$200.00	10X12RA(TB)	TK/BRZ
217400143	\$170.00	10X6RA(TB)	TK/BRZ
217400081	\$190.00	11X8RA(TB)	TK/BRZ
217400326	\$170.00	12X6RA(TB)	TK/BRZ
217400183	\$200.00	12X12RA(TB)	TK/BRZ
217400147	\$220.00	12X14RA(TB)	TK/BRZ
217400122	\$190.00	14X7RA(TB)	TK/BRZ
217400112	\$200.00	14X10RA(TB)	TK/BRZ
217400111	\$220.00	14X12RA(TB)	TK/BRZ
217400680	\$220.00	14X14RA(TB)	TK/BRZ
217400206	\$190.00	16X6RA(TB)	TK/BRZ
217100103	\$200.00	16X8RA(TB)	TK/BRZ
217400101	\$210.00	16X9RA(TB)	TK/BRZ
217400358	\$200.00	22X6RA(TB)	TK/BRZ
<b><i>Teak Supply Air Wood Grilles</i></b>			
217400374	\$150.00	3X15VH(TB)	TK/BRZ
217400000	\$130.00	4X4VH(TB)	TK/BRZ
217400355	\$180.00	6X16VH(TB)	TK/BRZ
217400001	\$140.00	6X4VH(TB)	TK/BRZ
217400050	\$150.00	7X7VH(TB)	TK/BRZ
V8X4 VH-T	\$140.00	8X4VH(TB)	TK/BRZ
217400177	\$160.00	8X8VH(TB)	TK/BRZ
217400005	\$150.00	10X4VH(TB)	TK/BRZ
217400078	\$150.00	10X5VH(TB)	TK/BRZ
217400007	\$150.00	12X4VH(TB)	TK/BRZ
217400121	\$160.00	12X5VH(TB)	TK/BRZ
217400123	\$160.00	12X6VH(TB)	TK/BRZ
217400009	\$150.00	14X4VH(TB)	TK/BRZ
217400011	\$160.00	14X5VH(TB)	TK/BRZ
217400013	\$180.00	14X6VH(TB)	TK/BRZ
217400054	\$160.00	16X4VH(TB)	TK/BRZ
217400153	\$160.00	20X4VH(TB)	TK/BRZ
<b><i>Teak Supply Air Wood Grilles with Shutoff Damper</i></b>			
217400085	\$190.00	4X4VML(TB)	TK/BRZ
217400327	\$200.00	4X6VML(TB)	TK/BRZ
217400325	\$200.00	4X8VML(TB)	TK/BRZ
217400043	\$200.00	6X4VML(TB)	TK/BRZ
217400057	\$200.00	8X4VML(TB)	TK/BRZ
217400125	\$210.00	10X4VML(TB)	TK/BRZ
217400333	\$210.00	10X6VML(TB)	TK/BRZ
217400059	\$210.00	12X4VML(TB)	TK/BRZ

# ACCESSORIES

## Flexible Air Duct

<u>Item No.</u>	<u>List Price USD</u>	<u>Description</u>
<b>Flexible Duct, Insulated (not UV rated for use with Breathe Easy)</b>		
226600045	\$4.10	Insulated Flex Duct, 3", per Foot
226600014	\$4.10	Insulated Flex Duct, 4", per Foot
226600016	\$4.10	Insulated Flex Duct, 5", per Foot
226600015	\$4.10	Insulated Flex Duct, 6", per Foot
226600000	\$4.10	Insulated Flex Duct, 7", per Foot
226600046	\$5.13	Insulated Flex Duct, 8", per Foot
226600055	\$6.15	Insulated Flex Duct, 9", per Foot
226600054	\$6.27	Insulated Flex Duct, 10", per Foot
226600048	\$7.18	Insulated Flex Duct, 12", per Foot
226600077	\$70.00	Insulated Flex Duct, 3", 25 Ft. Length
226600078	\$70.00	Insulated Flex Duct, 4", 25 Ft. Length
226600079	\$80.00	Insulated Flex Duct, 5", 25 Ft. Length
226600080	\$85.00	Insulated Flex Duct, 6", 25 Ft. Length
226600081	\$90.00	Insulated Flex Duct, 7", 25 Ft. Length
226600082	\$95.00	Insulated Flex Duct, 8", 25 Ft. Length
226600022	\$115.00	Insulated Flex Duct, 9", 25 Ft. Length
226600023	\$135.00	Insulated Flex Duct, 10", 25 Ft. Length
226600083	\$170.00	Insulated Flex Duct, 12", 25 Ft. Length



## Flexible Duct, Vinyl (Not Insulated)

226600008	\$6.15	Vinyl Flex Duct, 2", per Foot
226600009	\$6.15	Vinyl Flex Duct, 3", per Foot
226600010	\$6.15	Vinyl Flex Duct, 4", per Foot
226600011	\$7.18	Vinyl Flex Duct, 5", per Foot
226600012	\$8.20	Vinyl Flex Duct, 6", per Foot
226600017	\$9.23	Vinyl Flex Duct, 7", per Foot
226600013	\$12.00	Vinyl Flex Duct, 8", per Foot
226600047	\$19.00	Vinyl Flex Duct, 12", per Foot
226600086	\$115.00	Vinyl Flex Duct, 2", 25 Ft. Length
226600087	\$105.00	Vinyl Flex Duct, 3", 25 Ft. Length
226600088	\$130.00	Vinyl Flex Duct, 4", 25 Ft. Length
226600089	\$140.00	Vinyl Flex Duct, 5", 25 Ft. Length
226600090	\$185.00	Vinyl Flex Duct, 6", 25 Ft. Length
2060407	\$225.00	Vinyl Flex Duct, 7", 25 Ft. Length



# ACCESSORIES

## **Plastic Grill Transition Boxes with Back Connections (Opposite Grill Opening)**

<u>Item No.</u>	<u>List Price USD</u>	<u>Description</u>
VTB44-3B	\$48.00	Grill Transition Box, Plastic, 4" x 4", with 3" Ring Back
VTB44-4B	\$48.00	Grill Transition Box, Plastic, 4" x 4", with 4" Ring Back
335635	\$60.00	VTB64-4B, Grill Transition Box, Plastic, 6" x 4", with 4" Ring Back
229500057	\$80.00	VTB84-4B, Grill Transition Box, Plastic, 8" x 4", with 4" Ring Back
229500195	\$80.00	VTB84-5B, Grill Transition Box, Plastic, 8" x 4", with 5" Ring Back
229500058	\$80.00	VTB104-5B, Grill Transition Box, Plastic, 10" x 4", with 5" Ring Back
229501524	\$85.00	VTB106-5B, Grill Transition Box, Plastic, 10" x 6", with 5" Ring Back
229501523	\$85.00	VTB106-6B, Grill Transition Box, Plastic, 10" x 6", with 6" Ring Back

## **Plastic Grill Transition Boxes with End Connections (On Small Dimension)**

229500071	\$60.00	VTB44-4E, Grill Transition Box, Plastic, 4" x 4", with 4" Ring End
335634	\$80.00	VTB64-4E, Grill Transition Box, Plastic, 6" x 4", with 4" Ring End
335195	\$80.00	VTB84-4E, Grill Transition Box, Plastic, 8" x 4", with 4" Ring End
VTB104-4E	\$85.00	Grill Transition Box, Plastic, 10" x 4", with 4" Ring End

## **Plastic Grill Transition Boxes with Side Connections (On Long Dimension)**

229500122	\$80.00	VTB84-4S, Grill Transition Box, Plastic, 8" x 4", with 4" Ring Side
VTB84-5S	\$85.00	Grill Transition Box, Plastic, 8" x 4", with 5" Ring Side

## **Plastic Grill Transition Boxes (Boxes are 5-3/16" Deep)**

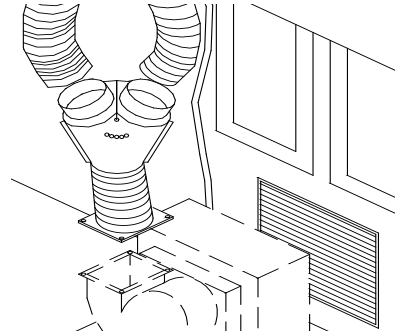
229800018	\$47.00	Transition Box ABS 10X4 NO CUTS/RINGS
228700118	\$65.00	Transition Box ABS 10X4-5"RINGSIDE
229800022	\$47.00	Transition Box ABS 10X5X4.5 NO CUTS/RINGS
229800034	\$90.00	Transition Box ABS 10X5X5.75 NO CUTS
228700158	\$80.00	Transition Box ABS 10X6 NO CUTS/RINGS
229800043	\$80.00	Transition Box ABS 10"X8" NO CUT/RNG
229800019	\$47.00	Transition Box ABS 12X4 NO CUTS/RINGS
229800023	\$95.00	Transition Box ABS 12X5 NO CUTS/RINGS
229800025	\$47.00	Transition Box ABS 12X6X4.5 NO CUT/RINGS
229800045	\$75.00	Transition Box ABS 12X6X5 NO CUTS/RINGS
229800031	\$90.00	Transition Box ABS 12X6X5.75 NO CUTS/RINGS
229800020	\$47.00	Transition Box ABS 14X4 NO CUTS/RINGS
229800024	\$47.00	Transition Box ABS 14X5 NO CUTS/RINGS
229800026	\$65.00	Transition Box ABS 14X6X4.5 NO CUTS/RINGS
229800033	\$90.00	Transition Box ABS 14X7X5.5 NO CUTS/RINGS
229800050	\$75.00	Transition Box ABS 16"X8" NO CUT/RNG
229800021	\$90.00	Transition Box ABS 16X4 NO CUTS/RINGS
229800015	\$50.00	Transition Box ABS 4X4 E3
229800014	\$39.00	Transition Box ABS 4X4 NO CUTS/RINGS
229800041	\$45.00	Transition Box ABS 5.25 SQ NO CUTS/RINGS
229800044	\$48.00	Transition Box ABS 6"X6" NO CUT/RNGS
228700121	\$60.00	Transition Box ABS 6X4 NO CUTS/RINGS
229800027	\$45.00	Transition Box ABS 7X7 NO CUTS/RINGS
229800017	\$41.00	Transition Box ABS 8X4 NO CUTS/RINGS
228700159	\$60.00	Transition Box ABS 8X6 NO CUTS/RINGS



# ACCESSORIES

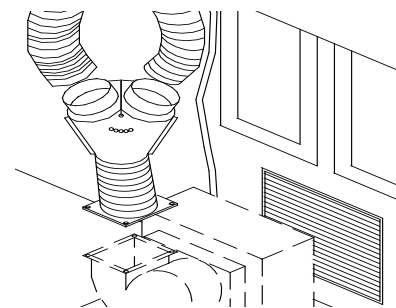
## Plastic Duct TEEs, Adjustable Baffle

Item No.	List Price USD	Description	Inlet/Outlet/Outlet
228700100	\$115.00	Transition ABS "T" DUCT 4/4/3	
228700085	\$115.00	Transition ABS "T" DUCT 4/4/4	
228700093	\$115.00	Transition ABS "T" DUCT 5/4/3	
228700053	\$115.00	Transition ABS "T" DUCT 5/4/4	
228700104	\$115.00	Transition ABS "T" DUCT 5/5/3	
228700062	\$115.00	Transition ABS "T" DUCT 5/5/4	
228700067	\$115.00	Transition ABS "T" DUCT 5/5/5	
228700142	\$115.00	Transition ABS "T" DUCT 6/4/4	
228700108	\$115.00	Transition ABS "T" DUCT 6/5/4	
228700092	\$115.00	Transition ABS "T" DUCT 6/5/5	
228700088	\$115.00	Transition ABS "T" DUCT 6/6/3	
228700114	\$115.00	Transition ABS "T" DUCT 6/6/4	
228700120	\$115.00	Transition ABS "T" DUCT 6/6/5	
228700119	\$115.00	Transition ABS "T" DUCT 6/6/6	
228700106	\$115.00	Transition ABS "T" DUCT 7/5/5	
228700167	\$115.00	Transition ABS "T" DUCT 7/6/3	
228700103	\$115.00	Transition ABS "T" DUCT 7/6/4	
228700115	\$115.00	Transition ABS "T" DUCT 7/6/5	
228700081	\$115.00	Transition ABS "T" DUCT 7/6/6	
228700150	\$115.00	Transition ABS "T" DUCT 8/7/7	



## Plastic Duct Ys, Adjustable Baffle

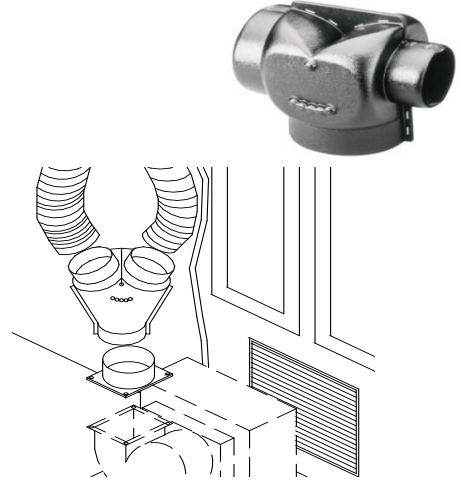
228700075	\$115.00	Transition ABS "Y" DUCT 3/3/3	
228700105	\$115.00	Transition ABS "Y" DUCT 4/3/3	
228700078	\$115.00	Transition ABS "Y" DUCT 4/4/2	
228700064	\$115.00	Transition ABS "Y" DUCT 4/4/3	
228700065	\$115.00	Transition ABS "Y" DUCT 4/4/4	
228700134	\$115.00	Transition ABS "Y" DUCT 5/4/2	
228700057	\$115.00	Transition ABS "Y" DUCT 5/4/3	
228700082	\$115.00	Transition ABS "Y" DUCT 5/4/4	
228700069	\$115.00	Transition ABS "Y" DUCT 5/5/3	
228700110	\$115.00	Transition ABS "Y" DUCT 5/5/4	
717050015	\$115.00	Transition ABS "Y" DUCT 5/5/5	
228700073	\$115.00	Transition ABS "Y" DUCT 6/4/4	
228700117	\$115.00	Transition ABS "Y" DUCT 6/5/3	
228700059	\$115.00	Transition ABS "Y" DUCT 6/5/4	
228700074	\$115.00	Transition ABS "Y" DUCT 6/5/5	
228700113	\$115.00	Transition ABS "Y" DUCT 6/6/4	
228700068	\$115.00	Transition ABS "Y" DUCT 6/6/5	
228700101	\$115.00	Transition ABS "Y" DUCT 7/5/4	
228700090	\$115.00	Transition ABS "Y" DUCT 7/5/5	
228700102	\$115.00	Transition ABS "Y" DUCT 7/6/4	
VHY765	\$115.00	Transition ABS "Y" DUCT 7/6/5	
228700112	\$115.00	Transition ABS "Y" DUCT 7/6/6	
717050021	\$115.00	Transition ABS "Y" DUCT 7/7/3	
VHY774	\$115.00	Transition ABS "Y" DUCT 7/7/4	
228700054	\$115.00	Transition ABS "Y" DUCT 8/6/6	
228700168	\$115.00	Transition ABS "Y" DUCT 8/8/8	



# ACCESSORIES

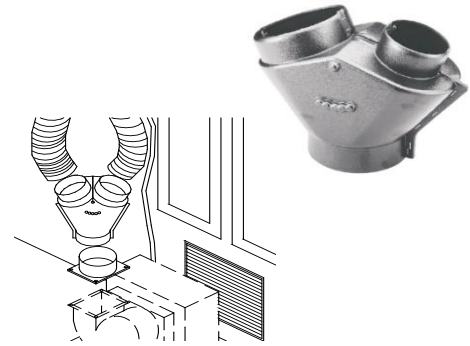
## **Plastic Blower Ts, Adjustable Baffle** (Mounts over existing Hose adapter)

<u>Item No.</u>	<u>List Price USD</u>	<u>Description</u>	<u>Inlet/Outlet/Outlet</u>
228700077	\$115.00	Transition ABS "T" BLWR 4/4/3	
228700060	\$115.00	Transition ABS "T" BLWR 4/4/4	
228700076	\$115.00	Transition ABS "T" BLWR 5/4/3	
228700153	\$115.00	Transition ABS "T" BLWR 5/4/4	
228700148	\$115.00	Transition ABS "T" BLWR 5/5/3	
228700154	\$115.00	Transition ABS "T" BLWR 6/4/4	
228700140	\$115.00	Transition ABS "T" BLWR 6/5/3	
228700145	\$115.00	Transition ABS "T" BLWR 6/5/4	
228700083	\$115.00	Transition ABS "T" BLWR 6/5/5	
228700139	\$115.00	Transition ABS "T" BLWR 6/6/3	
228700160	\$115.00	Transition ABS "T" BLWR 6/6/6	
228700066	\$115.00	Transition ABS "T" BLWR 7/5/4	
228700111	\$115.00	Transition ABS "T" BLWR 7/5/5	
228700058	\$115.00	Transition ABS "T" BLWR 7/6/4	
228700091	\$115.00	Transition ABS "T" BLWR 7/6/5	
228700094	\$115.00	Transition ABS "T" BLWR 7/6/6	
228700157	\$115.00	Transition ABS "T" BLWR 7/7/4	



## **Plastic Blower Ys, Adjustable Baffle**

228700072	\$115.00	Transition ABS "Y" BLWR 4/4/2	
228700087	\$115.00	Transition ABS "Y" BLWR 4/4/3	
228700086	\$115.00	Transition ABS "Y" BLWR 4/4/4	
228700084	\$115.00	Transition ABS "Y" BLWR 5/4/4	
228700055	\$115.00	Transition ABS "Y" BLWR 5/5/3	
228700063	\$115.00	Transition ABS "Y" BLWR 5/5/4	
228700079	\$115.00	Transition ABS "Y" BLWR 6/4/4	
228700156	\$115.00	Transition ABS "Y" BLWR 6/5/4	
228700109	\$115.00	Transition ABS "Y" BLWR 6/5/5	
228700126	\$115.00	Transition ABS "Y" BLWR 6/6/4	
228700155	\$115.00	Transition ABS "Y" BLWR 7/5/5	
228700096	\$115.00	Transition ABS "Y" BLWR 8/6/6	





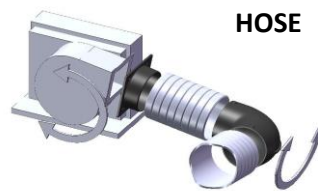
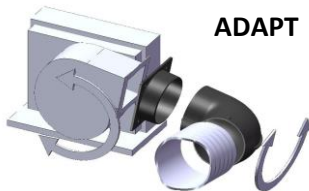
# ACCESSORIES

## Aluminum Mount Rings

Item Number	List Price USD	Description
228700509	\$65.00	Ring ALM 6" Round EBO16
228701040	\$90.00	Ring ALM Duct 6" HC-6
228701041	\$90.00	Ring ALM Duct 7" HC-7
228700162	\$100.00	Ring ALM Duct 9" HC-9
228701007	\$135.00	Ring ALM 9" Round EBOH24
228701038	\$135.00	Ring ALM Duct 9"MR w/Flange 24K HV Blower (2054310) REU24
228700171	\$125.00	Ring ALM Duct 10"MR w/Flange EBE30
228700180	\$100.00	Ring ALM Duct 10"MR w/Base EBO30/36
228700147	\$100.00	Ring ALM 10"OB w/Rectangular Base

## Plastic Blower Mount Rings

Item No.	List Price USD	Description	
HA-4	\$17.00	Ring Plastic 4" Duct EBO4/5	
228701001	\$27.00	Mount Ring ABS DCT 4"MR CL5HV/VC5K	
291617126	\$47.00	Mount Ring ABS DCT ASY 6"MR 16K	
335884	\$18.00	Blower Mount Ring 5", 4/6K	
228700138	\$100.00	Ring ABS Trans 5" with TV6 Base	
291290011	\$28.00	Mount Ring ABS DCT 5" AH6DT2	
228701005	\$28.00	Mount Ring ABS DCT 5"MR VC/VR/H6/7	
291600289	\$28.00	Mount Ring ABS DCT 5"MR VC5K CUT DWN	
291072002	\$28.00	Mount Ring ABS DCT 5"MR VC6/7	
335883	\$20.00	Blower Mount Ring 6", 6/8K	
291617008	\$47.00	Mount Ring ABS DCT 6"MR AH12DT2 w/Base	
335882	\$23.00	Blower Mount Ring 7", 16/18K	
228701031	\$34.00	Mount Ring ABS DCT 7"MR VR/VC16KHV	
228701030	\$32.00	Mount Ring ABS DCT 7"MR 24K 6.5X5	
228701033	\$95.00	Mount Ring ABS DCT 8"MR VC18HV/AH16D	
291150130	\$100.00	Mount Ring ABS DCT 8"MR 16HV w/Base	
228701027	\$135.00	Mount Ring ABS DCT 8"MR 24K w/Base	
336026	\$85.00	Mount Ring ADAPT "L" 3" 90 Degree	
336025	\$85.00	Mount Ring ADAPT "L" 4" 90 Degree	
228700172	\$85.00	Trans ABS ELBOW 5" 90 Degree Hose	
228700173	\$85.00	Trans ABS ELBOW 6" 90 Degree Hose	
228700170	\$85.00	Trans ABS ELBOW 8" 90 Degree Blower	





# ACCESSORIES

## Plastic/Aluminum Transition Rings/Hose Adapters

Item No.	List Price USD	Description	Inlet/Outlet/Outlet
228700008	\$19.00	Transition Ring, ABS 1.5"	
228700009	\$18.00	Transition Ring, ABS 2"	
228700010	\$18.00	Transition Ring, ABS 3"	
228700014	\$24.00	Transition Ring, ABS 3" OBLONG	
228700025	\$31.00	Transition Ring, ABS 3" ENCLSD	
228700011	\$18.00	Transition Ring, ABS 4" 6K	
228700015	\$20.00	Transition Ring, ABS 4" OBLONG	
228700127	\$22.00	Transition Ring, ABS 4" w/Push Rivets 6K	
228700004	\$34.00	Transition Ring, ABS 4" MNTD TO 5"TRNS	
228700012	\$18.00	Transition Ring, ABS 5"	
228700016	\$20.00	Transition Ring, ABS 5" OBLONG	
228700128	\$22.00	Transition Ring, ABS 5" W/PUSH RIVET 8K	
228700132	\$55.00	Transition Ring, ABS 5" OB W/PUSH RVTS	
228700052	\$100.00	Transition Ring, ABS 5" W/ 4" TUBE EXT	
228700013	\$18.00	Transition Ring, ABS 6"	
228700017	\$24.00	Transition Ring, ABS 6" OBLONG	
228700129	\$22.00	Transition Ring, ABS 6" W/PUSH RIVET 10-12K	
228700018	\$18.00	Transition Ring, ABS 7"	
228700019	\$26.00	Transition Ring, ABS 7" OBLONG	
228700130	\$24.00	Transition Ring, ABS 7" W/PUSH RIVET 14-16K	
228700161	\$105.00	Transition Ring, ABS 7" RND EBS/EDS W/ALM	
228701034	\$42.00	Transition Ring, ABS 8" INSIDE FLNG	
334621	\$42.00	Transition Ring, ABS 8" OUTSIDE FLNG	
228700137	\$49.00	Transition Ring, ABS 8" W/PUSH RIVET	



## T-Boxes (A.K.A. T-Box Blower Plenums)

First number in model is the unit size (10/12 = 10&12K), second set of numbers are duct size connections.

All transition boxes are ABS plastic. Note: The 7T is 7" high and the 10/12T & 16T are both 8" high.

Item No.	List Price USD	Model	Description
231100515	\$120.00	7T-BX	T-Box VC7/E6 Universal
231100186	\$120.00	7T-BX 4/3	T-Box VC7/E6 (4/3)
231100170	\$120.00	7T-BX 5/4	T-Box VC7/E6 (5/4)
231100510	\$120.00	10/12T-BX	T-Box VC10/12 Universal
231100152	\$120.00	10/12T-BX 5/3	T-Box VC10/12 (5/3)
231100150	\$120.00	10/12T-BX 5/4	T-Box VC10/12 (5/4)
231100140	\$120.00	10/12T-BX 5/5	T-Box VC10/12 (5/5)
231100138	\$120.00	10/12T-BX 6/4	T-Box VC10/12 (6/4)
231100141	\$120.00	10/12T-BX 6/5	T-Box VC10/12 (6/5)
231100500	\$120.00	16T-BX	T-Box VC16 Universal
231100125	\$120.00	16T-BX 5/4	T-Box VC16 (5/4)
231100130	\$120.00	16T-BX 6/4	T-Box VC16 (6/4)
229500169	\$95.00	16T-BX 6/6	Available in Aluminum Only

\*Also available: Custom Alum Box, 50-150 square inch.

\* See the **Custom Plenum Request Form** at the back of this section. All prices include two rings.

\* If interested in these items, please contact your Marine Air Sales Representative.



# ACCESSORIES



## CUSTOM PLENUM REQUEST

Date:	Requester:	Customer Order No.:	<input type="checkbox"/> Quote Only
Customer:		NPR#	
Date NPR Information Needed:		Time NPR Information Needed:	
1 <sup>st</sup> Ship Date:	Quantity:	Forecast: Per Month	Per Year
NPR Level: A	Target List: \$	Replacing / Obsolete:	

**PRODUCT DEFINITION:**

Item Number:	Lead Time:	days	Prod Code:	Estimated Prime:	\$		
List Prices:	21) \$	22) \$	23) \$	24) \$	25) \$	26) \$	27) \$

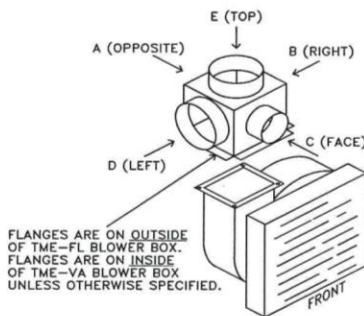
Description:  
Extra Description:

Revision A: \_\_\_\_\_ Date: \_\_\_\_\_  
 Revision B: \_\_\_\_\_ Date: \_\_\_\_\_  
 Revision C: \_\_\_\_\_ Date: \_\_\_\_\_

Specify blower size for blower plenums or dimensions for grille plenums, and ring sizes for each side of box.

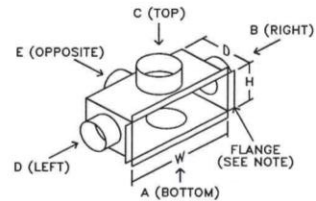
**BLOWER PLENUM**

- BLOWER SIZE \_\_\_\_\_  
 E-TOP \_\_\_\_\_  
 D-LEFT \_\_\_\_\_  
 B-RIGHT \_\_\_\_\_  
 C-FACE \_\_\_\_\_  
 A-OPPOSITE \_\_\_\_\_  
 Check if blower is to be rotated.  
 Check if HV blower.



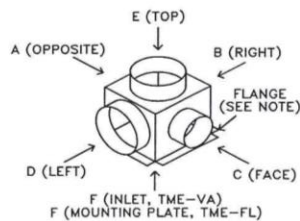
**GRILLE PLENUM**

- WIDTH \_\_\_\_\_  
 HEIGHT \_\_\_\_\_  
 DEPTH \_\_\_\_\_  
 C-TOP \_\_\_\_\_  
 A-BOTTOM \_\_\_\_\_  
 E-OPPOSITE \_\_\_\_\_  
 D-LEFT \_\_\_\_\_  
 B-RIGHT \_\_\_\_\_  
 FLANGE - See notes below.  
 To Accommodate Alum Grille -  VH  VML  
 To Accommodate Wood Grille -  VH  VML



**BOX PLENUM**

- F- INLET/PLATE \_\_\_\_\_  
 E-TOP \_\_\_\_\_  
 D-LEFT \_\_\_\_\_  
 B-RIGHT \_\_\_\_\_  
 C-FACE \_\_\_\_\_  
 A-OPPOSITE \_\_\_\_\_



SKETCH PLENUM HERE (SEE NOTES)

**NOTES:**

- 1) SHOW DIVERTER PLACEMENT AND DIVISION OF AIR FLOW, RING SIZE AND LOCATION, AND ANY OTHER UNIQUE CHARACTERISTICS.
- 2) STANDARD BOX DEPTH IS 4.50" FOR VACUUM FORMED PLASTIC (TME-FL ONLY). OTHERWISE, BOX DEPTH IS 1/4" DEEPER THAN RING SIZE ON SIDE OF PLENUM.
- 3) FLANGES ARE STANDARD ON TME-FL PLENUMS, BUT OPTIONAL ON TME-VA'S. SPECIFY TME-VA FLANGES BY CIRCILING CHOICE BELOW:  
WIDTH - HEIGHT - BOTH

THIS VIEW IS LOOKING AT SIDE, FROM OUTSIDE OF BOX (CIRCLE ONE)  
A B C D

THIS VIEW IS LOOKING AT SIDE, FROM OUTSIDE OF BOX (CIRCLE ONE)  
A B C D

FO-730-007 Revision: G

# Installation Components

<b>Tube Insulation</b>		
<u>Item No.</u>	<u>List Price USD</u>	<u>Description</u>
8010306	\$5.25	Insulation Tube, 3/8" ID x 3/8" Wall, 6 Ft. Length
8010408	\$5.25	Insulation Tube, 1/2" ID x 3/8" Wall, 6 Ft. Length
336120	\$5.25	Insulation Tube, 3/4" ID x 1/2" Wall, 6 Ft. Length
336730	\$85.00	Prestite Cork Tape Ins, 2" x 30 Ft. Roll
298001319	\$250.00	Insulation Mastic Coating, 1 Gallon with MSDS Sheet

<b>Condensate Drain Fittings, Plastic</b>		
<u>Item No.</u>	<u>List Price USD</u>	<u>Description</u>
298001152	\$29.00	DF2, Drain Fitting, Straight, 3/8" MPT x 1/2" Hose (10 Pack)
1052608	\$2.10	Drain Fitting, Straight, 3/8" MPT x 1/2" Hose
1051410	\$2.10	Drain Fitting, Straight, 3/8" MPT x 5/8" Hose
1059510	\$2.06	Drain Fitting, Straight, 1/2" MPT x 5/8" Hose
1052708	\$3.15	Drain Fitting, 90°, 3/8" MPT x 1/2" Hose
1052410	\$3.15	Drain Fitting, 90°, 3/8" MPT x 5/8" Hose
1059610	\$5.15	Drain Fitting, 90°, 1/2" MPT x 5/8" Hose
1052808	\$7.35	Drain Plug, 3/8" MPT
1059708	\$7.35	Drain Plug, 1/2" MPT

<b>Refrigerant Fittings</b>		
<u>Item No.</u>	<u>List Price USD</u>	<u>Description</u>
3120204	\$4.20	Flare Nut, 1/4"
3120106	\$6.30	Flare Nut, 3/8"
3121408	\$6.30	Flare Nut, 1/2"
3120512	\$26.00	Flare Nut, 3/4"
3120606	\$6.30	Flare Nut Reducing, 3/8" Flare to 1/4" Tube
3120308	\$6.30	Flare Nut Reducing, 1/2" Flare to 3/8" Tube
3120904	\$7.35	Flare Tee, 1/4" x 1/4" x 1/4"
3121006	\$20.00	Flare Tee, 3/8" x 3/8" x 3/8"
3121808	\$24.00	Flare Tee, 1/2" x 1/2" x 1/2"
3130104	\$33.00	Flare Tee Reducing, 3/8" x 1/4" x 1/4"
3131006	\$21.00	Flare Tee Reducing, 1/2" x 3/8" x 3/8"
3121100	\$20.00	Flare Tee Reducing, 1/2" x 1/2" x 1/4"
3120400	\$43.00	Flare Tee Reducing, 3/4" x 1/2" x 1/2"



# Turbo Replacement Parts Table

## R410A Only

Turbo unit BTU's, voltage, and frequency	Evap Assembly w/Strainer	Condenser Coil Assembly	Compressor Assembly	Reversing Valve Assembly	Blower Assembly	Comp Overload	Drain Pan Assembly	Dual Run Cap
6K 115V 60Hz	239401027	239401015	239402044	239100071	239400052	332849	239300022	4040028
8K 115V 60Hz	239401028	239401015	239402046	239100071	239400054	332849	239300022	4040042
10K 115V 60Hz	239401029	239401016	239402049	239100073	239400056	4120047	239300023	4040029
12K 115V 60Hz	239401030	239401016	239402052	239100073	239400056	4120062	239300023	4040052
16K 115V 60Hz	239401031	239401017	239402055	239100075	239400058	4120046	239300024	337047
6K 230V 60Hz	239401027	239401015	239402045	239100072	239400053	Call for PN	239300022	337048
8K 230V 60Hz	239401028	239401015	239402047	239100072	239400055	Call for PN	239300022	4040040
10K 230V 60Hz	239401029	239401016	239402050	239100074	239400057	4120061	239300023	336033
12K 230V 60Hz	239401030	239401016	239402053	239100074	239400057	4120057	239300023	4040041
16K 230V 60Hz	239401031	239401017	239402056	239100076	239400059	4120022	239300024	4040043
6K 220V 50Hz	239401027	239401015	239402048	239100072	239400053	Call for P/N	239300022	337048
8K 220V 50Hz	239401028	239401015	239402048	239100072	239400055	Call for P/N	239300022	4040040
10K 220V 50Hz	239401029	239401016	239402051	239100074	239400057	Call for P/N	239300023	336033
12K 220V 50Hz	239401030	239401016	239402054	239100074	239400057	Call for P/N	239300023	4040041
16K 220V 50Hz	239401031	239401017	239402057	239100076	239400059	4120040	239300024	4040044
<b>R417A Only</b>								
Turbo unit BTU's, voltage, and frequency	Evap Assembly w/Strainer	Condenser Coil Assembly	Compressor Assembly	Reversing Valve Assembly	Blower Assembly	Comp Overload	Drain Pan Assembly	Dual Run Cap
6K 115V 60Hz	239401009	239401015	239402020	239100071	239400052	4043100	239300022	4040028
8K 115V 60Hz	239401010	239401015	239402022	239100071	239400054	4120008	239300022	4040042
10K 115V 60Hz	239401011	239401016	239402025	239100073	239400056	4120038	239300023	4040029
12K 115V 60Hz	239401012	239401016	239402028	239100073	239400056	4120007	239300023	4040029
16K 115V 60Hz	239401014	239401017	239402060	239100075	239400058	4120027	239300024	4040039
8K 230V 60Hz	239401010	239401015	239402023	239100072	239400055	4120006	239300022	4040040
10K 230V 60Hz	239401011	239401016	Call for P/N	239100074	239400057	4120039	239300023	336033
12K 230V 60Hz	239401012	239401016	239402029	239100074	239400057	4120010	239300023	4040037
16K 230V 60Hz	239401014	239401017	239402035	239100076	239400059	4120022	239300024	4040043
6K 220V 50Hz	239401009	239401015	239402021	239100072	239400053	4120024	239300022	4040034
8K 220V 50Hz	239401010	239401015	239402024	239100072	239400055	4120025	239300022	4040040
10K 220V 50Hz	239401011	239401016	239402027	239100074	239400057	4120028	239300023	4040035
12K 220V 50Hz	239401012	239401016	239402030	239100074	239400057	335573	239300023	4040041
16K 220V 50Hz	239401014	239401017	239402036	239100076	239400059	332859	239300024	4040044

## R410A & R417A All sizes and voltages

Turbo Units 6-16K	Drain Pan Mount Kit	High Pressure Switch - Digital	High Pressure Switch - Mechanical
ALL 410A	7000035	4024214	4024218
ALL 417A	7000035	4024300	4024400

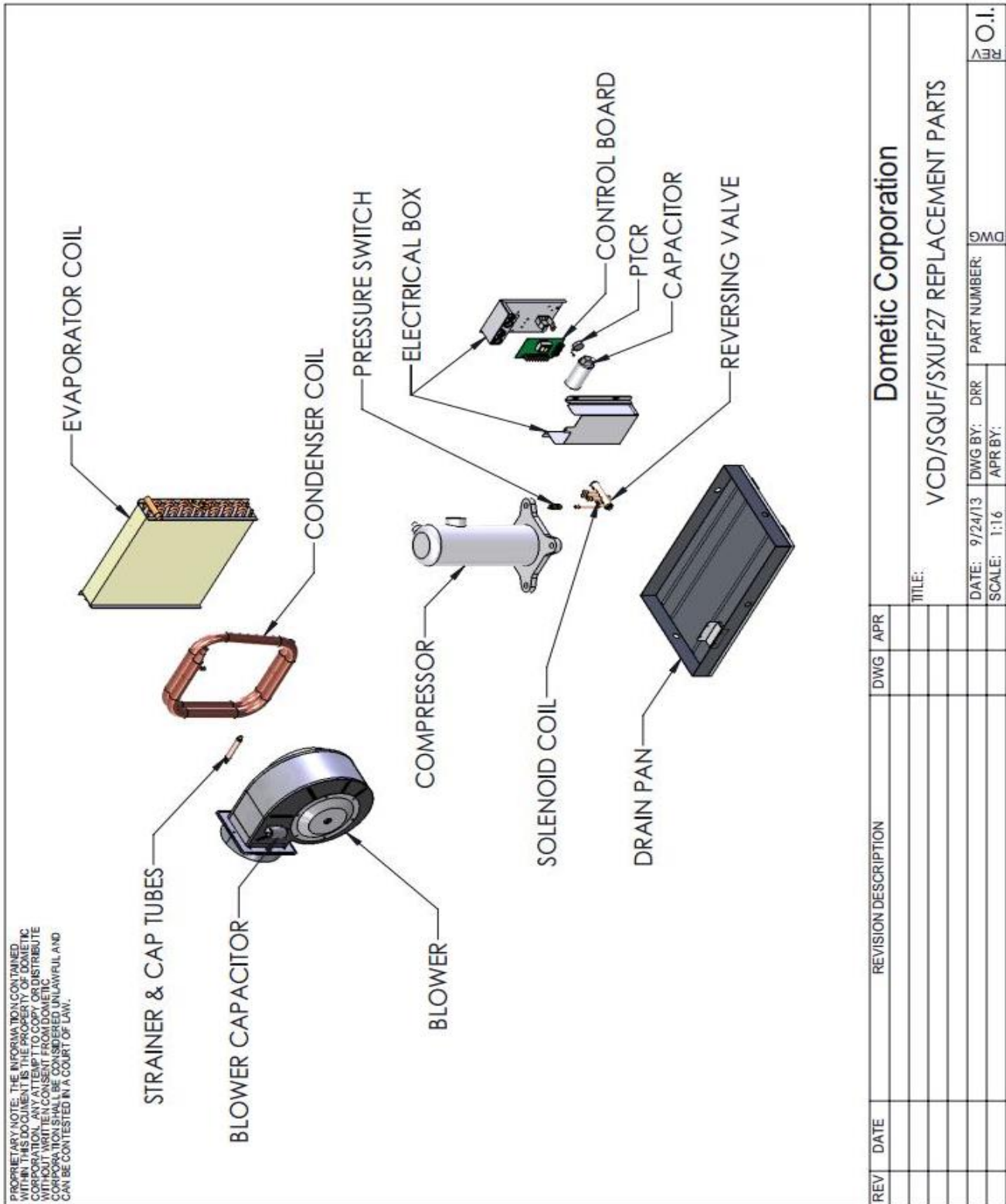
## R410A & R417A All sizes

Turbo Units 6-16K	Reversing Valve Solenoid
410A & 417A 115V	4071503
410A & 417A 220V	4071603
410A & 417A 230V	4071603

Turbo Units 6-16K	Circuit Board
VTD Units	4220020
STX Units	722300288
STQ Units	701800004
DTU Units	223100502

# DX REPLACEMENT PARTS

## DCU (VCD-SQUF-SXUF)18-27K Parts Breakdown



# DX REPLACEMENT PARTS

## 18K - 27K Compact Units Replacement Parts Table

### Compact R410A

Capacity	Voltage	Condenser	Blower	Blower Capacitor	Evap.	Rev. Valve	Solenoid Coil	Mounting Kit	Cap Tube
18000	115V	293044246	239400027	331027	335898	3081409	4071502	291049008	3150018
18000	230V	293044246	239400047	2053101	335898	3081409	4071602	291049008	3150018
18000	220V	293044246	239400047	2053101	335898	3081409	4071602	291049008	3150018
27000	230V	333344	293042221	4040058	331890	3081409	4071602	291049013	332110
27000	220V	333344	293042221	4040058	331890	3081409	4071602	291049013	332110

### Compact R410A continued

Capacity	Voltage	Start Cap	Run Cap	PTCR Start Assist	Drain Pan	Strainer	Compressor	Pressure Switch
18000	115V	3100236.235	4040160	335055	239300027	N/A	Call for P/N	4024214
18000	230V	330412	4040145	335055	239300027	N/A	239402017	4024214
18000	220V	330412	331475	335055	239300027	N/A	Call for P/N	4024214
27000	230V	N/A	N/A	335055	298600001	331880	298001186	4024214
27000	220V	N/A	330855	335055	298600001	331880	Call for P/N	4024214

Compact Units	Circuit Boards
VCD Units	4220020
SXUF Units	722300288
SQUF Units	701800004
DCU Units	223100502







# ECD/ECM Replacement Parts Table

## ECD/ECM 410A

Capacity	Voltage	Gas	Blower Assy	Blower Capacitor	Compressor Assy	Overload	Reversing Valve Assy	Solenoid Coil	Evap Assy
6K	115	410A	239400063	4040028	239402048	332849	239100078	4071503	239401019
10K	115	410A	239400065	4040029	239402049	4120047	239100079	4071503	Call for P/N
16K	115	410A	239400067	4040032	239402055	4120046	239100079	4071503	Call for P/N
6K	220	410A	239400094	337048	239402044	4120059	Call for P/N	4071603	239401019
Capacity	Voltage	Gas	Condenser Coil	Hose Adapter	Pressure Switch	PC Board	Display Bezel	Display	Display Cable
6K	115	410A	332685	207500208	4024214	4220020	222000224	222000226	222103000
10K	115	410A	Call for P/N	335883	4024214	4220020	222000224	222000226	222103000
16K	115	410A	335494	335883	4024214	4220020	222000224	222000226	222103000
6K	220	410A	332685	207500208	4024214	4220020	222000224	222000226	222103000

ECM Models use control P/N 222110102

## ECD 417A

Capacity (BTU/HR)	Voltage	Gas	Blower Assy	Electric Box Assy	Compressor Assy	Evap Assy	Condenser Coil Assy	Drain Pan Assy	Reversing Valve Assy
5K	115	417A	239400063	293049285	239402020	239401019	332685	239300030	239100078
6.5K	115	417A	239400064	293049286	239402022	239401020	334555	239300031	239100078
9K	115	417A	239400065	293049287	Call for P/N	239401021	335465	239300032	239100079
11K	115	417A	239400066	293049288	239402028	239401022	335465	239300032	239100079
15K	115	417A	239400067	293049289	239402061	239401023	335494	239300033	239100079

## ECM 417A

Capacity	Voltage	Gas	Blower Assy	Electric Box Assy	Compressor Assy	Evap Assy	Condenser Coil Assy	Drain Pan Assy
5K	115	417A	239400068	293049290	239402020	239401019	332685	239300030
6.5K	115	417A	239400069	293049291	239402022	239401020	334555	239300031
9K	115	417A	239400070	293049292	Call for P/N	239401021	335465	239300032
11K	115	417A	239400071	293049293	239402028	239401022	335465	239300032
15K	115	417A	239400072	293049294	239402061	239401023	335494	239300033



## ***Emerald Replacement Parts 6K-16K***

<b>Emerald unit BTU's and voltage</b>	<b>Comp. Assembly</b>	<b>Cond. Coil Assembly</b>	<b>Reversing Valve</b>	<b>Run Cap</b>	<b>Comp Overload</b>	<b>Base Valve Discharge</b>	<b>Base Valve Suction</b>
6K 115V 60Hz	293013047	239401032	3081601	331475	332849	330410	337416
8K 115V 60Hz	293013048	239401032	3081601	331475	332849	330410	337416
10K 115V 60Hz	293013049	239401032	3081601	330855	4120047	330410	337416
12K 115V 60Hz	293013050	239401033	3081409	331475	4120062	330410	337416
16K 115V 60Hz	293013051	239401033	3081409	4040145	4120046	330410	337417
6K 200-230V 50/60Hz	293013052	239401032	3081601	4040115	4120059	330410	337416
8K 230V 60Hz	293013053	239401032	3081601	4040115	4120059	330410	337416
10K 230V 60Hz	293013054	239401032	3081601	4040115	4120061	330410	337416
12K 230V 60Hz	293013055	239401033	3081409	338455	4120057	330410	337416
16K 230V 60Hz	293013056	239401033	3081409	4040130	4120022	330410	337417
8K 220V 50Hz	Call for P/N	Call for P/N	Call for P/N	Call for P/N	Call for P/N	330410	337416
10K 220V 50Hz	293013057	239401032	3081601	4040115	Call for P/N	330410	337416
12K 220V 50Hz	293013058	239401033	3081409	333597	Call for P/N	330410	337416
16K 220V 50Hz	293013059	239401033	3081409	333360	4120040	330410	337417

<b>Emerald Units All Sizes &amp; Voltages</b>	<b>Drier</b>	<b>Low Pressure Switch I/O Control</b>	<b>Low Pressure Switch Mechanical Control</b>	<b>High Pressure Switch I/O Control</b>	<b>High Pressure Switch Mechanical Control</b>	<b>TX Valve</b>
6K-16k 115V-220V-230V	3150409	4024219	4024217	4024214	4024218	3084704



# Emerald Replacement Parts 24K-48K

Emerald unit BTU's and voltage	Comp. Assembly	Cond. Coil Assembly	Run Capacitor	Start Capacitor	TX Valve	Base Valve Discharge	Base Valve Suction
24K 230V 60Hz	293600504	239401040	331475	4040076	3080058	330416	298001261
30K 230V 60Hz	293600505	239401041	331475	4040076	3080058	330416	337693
36K 230V 60Hz	293600506	239401042	330855	335760	3080059	330416	337693
48K 230V 60Hz	293600507	239401043	331520	4040106	3080059	330416	337693
24K 220V 50Hz	293600508	239401040	331475	4040076	3080058	330416	298001261
30K 220V 50Hz	293600509	239401041	331523	332475	3080058	330416	337693
36K 220V 50Hz	293600510	239401042	331520	332475	3080059	330416	337693
48K 220V 50Hz	293600511	239401043	335802	4040076	3080059	330416	337693
			<b>CONTACTOR 3 Phase</b>				
24K 230V 60HZ 3PH	293600512	239401040	334398		3080058	330416	298001261
30K 230V 60HZ 3PH	293600513	239401041	N/A		3080058	330416	337693
36K 230V 60HZ 3PH	293600514	239401042	334398		3080059	330416	337693
48K 230V 60HZ 3PH	293600515	239401043	334398		3080059	330416	337693
24K 380V 50HZ 3PH	293600516	239401040	334398		3080058	330416	298001261
30K 380V 50HZ 3PH	293600517	239401041	N/A		3080058	330416	337693
36K 380V 50HZ 3PH	293600518	239401042	334398		3080059	330416	337693
48K 380V 50HZ 3PH	293600519	239401043	334398		3080059	330416	337693
24K 460V 60HZ 3PH	293600522	239401040	334398		3080058	330416	298001261
30K 460V 60HZ 3PH	293600523	239401041	N/A		3080058	330416	337693
36K 460V 60HZ 3PH	293600524	239401042	334398		3080059	330416	337693
48K 460V 60HZ 3PH	293600525	239401043	334398		3080059	330416	337693

Emerald unit BTU's and voltage	Drier	Reversing Valve	Receiver	Accumulator
24K - 36K All Voltages	3150407	3081511	331170	333150
48K All Voltages	3150407	3081520	3150401	3160401

Emerald Units	Circuit Board
ED Units	4220020
EQ Units	701800004
DEU Units	223100502



## ***TurboVap (TV/TVE) Evaporator Replacement Parts Table***

<b>TurboVap Unit BTU's and Voltage</b>	<b>Drain Pan w/Isolator Pads</b>	<b>List Price (USD)</b>	<b>Blower Assembly</b>	<b>List Price (USD)</b>	<b>Capacitor</b>	<b>List Price (USD)</b>
4K 115V	239300038	\$65.00	239400052	\$230.00	2053101	\$20.00
6K 115V	239300038	\$65.00	239400052	\$230.00	2053101	\$20.00
8K 115V	239300038	\$65.00	239400054	\$255.00	330750	\$20.00
10-12K 115V	239300039	\$65.00	239400056	\$305.00	330669	\$22.00
14-16K 115V	239300040	\$65.00	239400058	\$350.00	330750	\$20.00
4K 230V	239300038	\$65.00	239400053	\$230.00	331103	\$17.00
6K 230V	239300038	\$65.00	239400053	\$230.00	331103	\$17.00
8K 230V	239300038	\$65.00	239400055	\$255.00	2052501	\$21.00
10-12K 230V	239300039	\$65.00	239400057	\$305.00	330670	\$20.00
14-16K 230V	239300040	\$65.00	239400059	\$350.00	4040045	\$20.00





## ***EBE/EBHE Replacement Parts Table***

<b>EBE Capacity</b>	<b>Voltage</b>	<b>Coil Assembly</b>	<b>Blower Assembly</b>	<b>Heater</b>	<b>Capacitor</b>	<b>TXV</b>	<b>Duct Adapter</b>	<b>Auto Reset Overload</b>	<b>Manual Reset Overload</b>
<b>EBE EBHE</b>	<b>EBE EBHE</b>	<b>EBE EBHE</b>	<b>EBE EBHE</b>	<b>EBHE</b>	<b>EBE EBHE</b>	<b>EBE EBHE</b>	<b>EBE EBHE</b>	<b>EBHE</b>	<b>EBHE</b>
6000	230V	Call for P/N	Call for P/N	4200700	331103	3084704	228700138	330924	4062800
8000	230V	239401036	Call for P/N	4200700	2052501	3084704	335884	330924	4062800
10000	230V	239401037	Call for P/N	4200800	330670	3084704	335883	330924	4062800
12000	230V	Call for P/N	Call for P/N	4200900	330670	3084704	335883	330924	4062800
16000	230V	Call for P/N	Call for P/N	4200901	4040045	3084704	335882	330924	4062800
18000	230V	Call for P/N	715212424	n/a	2053101	3080058	n/a	n/a	n/a
24000	230V	Call for P/N	715212423	4200801 (X2)	4040058	3080058	n/a	330924	4062800
30000	230V	Call for P/N	239400092	4200801 (X2)	4040058	3080058	291604194	330924	4062800
36000	230V	Call for P/N	Call for P/N	n/a	n/a	3080059	291604194	n/a	n/a

**Note: 24/30K units use (2) 4200801 heaters**

## ***EBDE Replacement Parts Table***

<b>EBDE Capacity</b>	<b>Voltage</b>	<b>Air Filter</b>	<b>Blower Motor</b>	<b>EBDE Capacitor</b>	<b>TXV</b>	<b>Blower Housing Wheel</b>
<b>30000</b>	<b>230V</b>	2030210	2054310	4040058	3080058	N/A
<b>36000</b>	<b>230V</b>	2030210	4032415	4041005	3080059	2053405
<b>48000</b>	<b>230V</b>	2030210 (2x)	4032415	4041005	3080059	2053410
<b>72000</b>	<b>230V</b>	2030210 (2x)	4032423	4040115	3080060	2053430
<b>36000</b>	<b>220V</b>	2030210	4032422	4041007	3080059	2053405
<b>48000</b>	<b>220V</b>	2030210 (2x)	4032422	4041007	3080059	2053410
<b>60000</b>	<b>220V</b>	2030210 (2x)	4032421	4041007	3080060	2053430
<b>72000</b>	<b>220V</b>	2030210 (2x)	4032421	4041007	3080060	2053430

## ***Flex Duct Evaporator Parts Table***

<b>Evaporator Capacity</b>	<b>Voltage</b>	<b>Blower without Mount Ring</b>	<b>Blower with Mount Ring</b>	<b>Coil Assembly for Evaps built thru 2002-03</b>	<b>Coil Assembly for Evaps built starting 2003</b>	<b>Strainer with Cap</b>
<b>E4FD</b>	<b>115V</b>	293042219	N/A	332062	332062	335466
<b>E6FD</b>	<b>115V</b>	293042210	239400017	333278	333278	332343
<b>E9FD</b>	<b>115V</b>	293042213	239400039 5"MR 239400040 6"MR	333279	335510	332342
<b>E12FD</b>	<b>115V</b>	293042218	N/A	333281	N/A	332341
<b>E12FD/1</b>	<b>115V</b>	293042215	N/A	N/A	N/A	332341
<b>E16FD</b>	<b>115V</b>	291617060	239400019	330028	330028	332200
<b>E4FDZ</b>	<b>230V</b>	293042211	N/A	332062	332062	335466
<b>E6FDZ</b>	<b>230V</b>	293042212	N/A	333278	333278	332343
<b>E9FDZ</b>	<b>230V</b>	293042214	N/A	333279	335510	332342
<b>E12FDZ</b>	<b>230V</b>	293042216	N/A	333281	N/A	332341
<b>E12FDZ/1</b>	<b>230V</b>	293042217	239400045	N/A	N/A	332341
<b>E16FDZ</b>	<b>230V</b>	291617061	239400042	330028	330028	332200

## ***CSD/CSM Replacement Parts Table***

<b>CSD/CSM Capacity</b>	<b>Voltage</b>	<b>Compressor</b>	<b>Cond. Coil</b>	<b>Start Cap</b>	<b>Run Cap</b>	<b>Relay</b>	<b>Base Valves</b>	<b>Drain Pan Assembly</b>
6000	115V	293013032	369627	330412	4040115	4040060	330410 (1/4) 330416 (3/8)	291603723
9000	115V	293013034	369627	330412	331475	4040060	330410 (1/4) 330416 (3/8)	291603723
12000	115V	293013036	331235	4040543	333360	4040060	330410 (1/4) 330416 (3/8)	291603723
16000	115V	293013038	331235	330559	331475	4040060	330410 (1/4) 330417 (1/2)	291603723
6000	220V	293013032	369627	330412	4040115	4040060	330410 (1/4) 330416 (3/8)	291603723
9000	220V	Call for P/N	369627	330412	4040115	4040060	330410 (1/4) 330416 (3/8)	291603723
12000	220V	293013036	331235	330412	333597	4040060	330410 (1/4) 330416 (3/8)	291603723
16000	220V	293045012	331235	330559	333360	4040060	330410 (1/4) 330417 (1/2)	291603723
6000	230V	293013031	369627	330412	4040115	4040060	330410 (1/4) 330416 (3/8)	291603723
9000	230V	293013033	369627	330412	4040115	4040060	330410 (1/4) 330416 (3/8)	291603723
12000	230V	293013035	331235	330412	333597	4040060	330410 (1/4) 330416 (3/8)	291603723
16000	230V	293013037	331235	330559	333360	4040060	330410 (1/4) 330417 (1/2)	291603723
24000	230V	293045638	298001293	4040075	4040130	4128010	330416 (3/8) 330694 (5/8)	291602794

<b>CSD/CSM Capacity</b>	<b>Voltage</b>	<b>Circuit Board</b>	<b>Display Cable</b>
All Sizes	All Voltages	223100502	222103020

# Stowaway S-F and Zephyr ZF Self Contained Parts

## StowAway V Replacement Parts - Recip. Compressors

Model	Size (Btu/hr)	Capacitors		Start Relay	Rev. Valve	RV Solenoid	Repl. Cond	Repl. Comp	Comp. Overload
		Run	Start						
<b>115V</b>									
SH,SX7	7000	4040115	330412	4040060	701820245	4071501	R3600-S7	293045657	331406
SH,SX10	10000	333360	330412	4040060	701820242	4071502	R3600-S10	293045668	048900
SH,SX12	12000	333360	4040543	4040060	701820242	4071502	R3600-S12	293045656	049000
SH,SX16	16000	331475	4040543	4040060	701820242	4071502	R3600-S16	293045644	331404
<b>230V</b>									
SH,SX7C	7000	4040115	330412	4040060	701820245	4071601	R3600-S7	293045661	331407
SH,SX10C	10000	4040115	330412	4040060	701820242	4071602	R3600-S10	293045669	049200
SH,SX12C	12000	4040115	4040543	4040060	701820242	4071602	R3600-S12	293045665	049300
SH,SX16C	16000	338455	4040543	4040060	701820242	4071602	R3600-S16	293045645	331405
SH,SX24C	24000	4040130	330559	4040060	701820244	4071602	N/A	293045703	Internal
SH,SX24C3*	24000	333360	4040206	4040060	701820244	4071602	N/A	293045703	Internal
<b>220-240V 50Hz</b>									
SH,SX7CK	7000	4040115	330412	4040060	701820245	4071601	R3600-S7	N/A	046500
SH,SX10CK	10000	4040115	330412	4040060	701820242	4071602	R3600-S10	N/A	046600
SH,SX12CK	12000	4040115	4040543	4040060	701820242	4071602	R3600-S12	293045670	046700
SH,SX16CK	16000	333360	4040543	4040060	701820242	4071602	R3600-S16	N/A	N/A
SH,SX24CK	24000	331475	330559	4040060	701820244	4071602	N/A	293045703	Internal
SH,SX24CK3*	24000	331475	4040206	4040060	701820244	4071602	N/A	293045703	Internal

Note: Model numbers ending in "3" use H23 compressors. Replacement compressors ending in "3" include both capacitors and the start relay.

## StowAway V Replacement Parts - Rotary Compressors

Model	Size (Btu/hr)	Capacitors		Start Relay	Rev. Valve	RV Solenoid	Repl. Cond	Repl. Comp	Comp. Overload
		Run	Start						
<b>115V</b>									
SHR, SXR7	7000	4040115	330559	4040060	701820245	4071501	R3600-S7	293045666	332849
SHR, SXR10	10000	4040130	330559	4040060	701820242	4071502	R3600-S10	293045651	332852
SHR, SXR12	12000	4040130	330559	4040060	701820242	4071502	R3600-S12	293045655	332855
SHR, SXR16	16000	4040130	330559	4040060	701820242	4071502	R3600-S16	293045642	332858
<b>230V</b>									
SHR, SXR7C	7000	4040140	330559	4040060	701820245	4071601	R3600-S7	293045660	332851
SHR, SXR10C	10000	4040130	330559	4040060	701820242	4071602	R3600-S10	293045659	046807
SHR, SXR12C	12000	4040130	330559	4127400	701820242	4071602	R3600-S12	293045672	046801
SHR, SXR16C	16000	4040130	330559	4127400	701820242	4071602	R3600-S16	293045652	046801
<b>220-240V 50Hz</b>									
SHR, SXR7CK	7000	4040115	-	-	701820245	4071601	R3600-S7	N/A	044600
SHR, SXR10CK	10000	4040130	330559	4127500	701820242	4071602	R3600-S10	N/A	046808
SHR, SXR12CK	12000	4040130	330559	4127500	701820242	4071602	R3600-S12	N/A	046805
SHR, SXR16CK	16000	4040130	330559	4127500	701820242	4071602	R3600-S16	293045673	046801

Note: Newer SXR SMXII rotary units use a PTCR start assist (# 335055) instead of a start capacitor and start relay, except for 7k models which have no start assist device. The customer will need to know whether or not their unit has either the Start Cap & Relay or the PTCR.

Notes:

1. High pressure switch for SH and SHR units: 297000050 (line duty)
2. High pressure switch for SX and SXR units: 297000048
3. Low pressure switch for SX and SXR units: 297000047

Reversing Valves & Solenoid Coils: See "Replacement Reversing Valves" section of this book and Field Notice #FNR233-I4 before ordering RV's or Coils. When ordering a new RV for an old unit, you must also order a new coil and vice versa.

**CHECK PRICING AND AVAILABILITY BEFORE PLACING AN ORDER.**

# Stowaway SXF, SHF and Zephyr ZF Replacement Parts Table

## Stowaway SHF/SXF

MODEL SXF/SHF (BTU/HR)	Blower Assy	Compressor Assy	Evap Coil	Evap Coil Assy	Condenser Coil Assy	Strainer with Cap Tube	Overloads
<b>115V</b>							
5	240110095	239402000	332062	239401019	N/A	335466	N/A
7	293042076	293045057	333278	293044121	293044033	332343	332849
7/2	293042076	239402002	333278	293044121	293044033	332343	4120008
10	293042080	293045613	333279	293047009	293044034	332342	332852
10-1	293042080	293045623	335510	293044256	293044034	332342	335571
12	293042080	293045051	333281	293044123	293044035	332341	332855
12-1	293042080	293045179	335476	293044257	293044035	332341	335574
12/2	293042080	239402019	335476	293044257	293044035	332341	4120007
16	293042031	293045053	333281	293044124	293044036	332340	332858
16/2	293042031	239402063	N/A	N/A	293044036	332340	4120027
<b>230V</b>							
7C	239400014	239402004	333278	293044121	293044033	332343	332850
10C	293042081	293045614	333279	293047009	293044034	332342	Call for P/N
10C-1	293042081	239402008	335510	293044256	293044034	332342	Call for P/N
10C/2	293042081	239402008	335510	293044256	293044034	332342	4120010
12C	293042081	293045051	333281	293044123	293044035	332341	332856
12C-1	293042081	Call for P/N	335476	293044257	293044035	332341	335573
12C/2	293042081	239402011	335476	293044257	293044035	332341	4120007
16C	293042049	293045054	333281	293044124	293044036	332340	332859
16C/2	293042049	239402058	N/A	N/A	293044036	332340	4120027
<b>220V</b>							
7CK	239400014	293045140	333278	293044121	293044033	332343	
10CK-1	293042081	Call for P/N	335510	293044256	293044034	332342	335573
12CK	293042081	293045055	335476	293044257	293044035	332341	335575
16CK	293042049	293045112	N/A	N/A	293044036	332340	332860

Notes:

1. When replacing compressor, add run capacitor 331475 and molded plug harness 334800 for units manufactured through 1998.
2. When replacing compressor, add molded plug harness 334800 for units manufactured between June 1198 and December 2000.
3. For units manufactured after December 2000, only painted compressor is required.

## Zephyr ZF

MODEL ZF (BTU/HR)	Units Built	Voltage	Compressor
10	Thru Feb.'03	115V	3014010
10-1	From Mar.'03	115V	335495
12	Thru Feb.'03	115V	331258
12-1	From Mar.'03	115V	3014512
16	Thru Feb.'03	115V	3014016
10C	Thru Feb.'03	230V	3014110
12C	Thru Feb.'03	230V	3014112

# "R" Type Condenser Replacement Parts

<b>"R" Type Remote Condensing Unit (5-16K) Replacement Parts</b>								
	Repl	Run Capacitor		Start Capacitor		Comp	Repl	RV
Model	Comp	p/n	mfd/volts	p/n	mfd/volts	Overload	RV	Coils
R5	293045654	4040115	15/400V	330412	21-25/330V	049600	701820245	4071501
R7	293045650	4040115	15/400V	330412	21-25/330V	331406	701820245	4071501
R10	293045658	333360	25/370V	330412	21-25/330V	048900	701820243	4071502
R12	293045647	333360	25/370V	4040543	43-53/330V	049000	701820243	4071502
R16	293045640	331475	35/370V	4040543	43-53/330V	331404	701820243	4071502
R7C	293045641	4040115	15/400V	330412	21-25/330V	331407	701820245	4071601
R10C	293045648	4040115	15/400V	330412	21-25/330V	049200	701820243	4071602
R12C	293045646	4040115	15/400V	4040543	43-53/330V	049300	701820243	4071602
R16C	293045643	333597	20/370V	4040543	43-53/330V	331405	701820243	4071602
R7CK	293045671	4040115	15/400V	330412	21-25/330V	046500	701820245	4071601
R10CK	N/A	4040115	15/400V	330412	21-25/330V	046600	701820243	4071602
R12CK	293045684	4040115	15/400V	4040543	43-53/330V	046700	701820243	4071602
R16CK	293045680	333360	25/370V	4040543	43-53/330V	N/A	701820243	4071602

Start Relays: All R5-16 models (115V & 230V) may use the Universal Replacement Start Relay (4040060)

<b>"R" Type Remote Condensing Unit (20-48K) Replacement Parts</b>								
	Repl	RV	Cond	Run Capacitor		Start Capacitor		Start Relay
Model	Comp	Assembly	Assy	p/n	mfd/volts	p/n	mfd/volts	p/n
R20C	293045686	701820240	N/A	4040130	30/370V	4040193	161-193/250V	4136050
R24C	293045703	701820240	3062024	4040130	30/370V	4040075	145-175/250V	4040060
R30C	293045664	701830360	293045682	331475	35/370V	4040075	145-175/250V	4040060
R36C	293045675	701830360	N/A	330855	40/370V	4040075	145-175/250V	4040060
R48C	293045678	701820246	701842482	4040155	55/370V	4040206	88-108/330V	4040060
R20CK	298001543	701820240	N/A	331475	35/370V	4040075	145-175/250V	298001216
R24CK	N/A	701820240	3062024	331475	35/370V	4040075	145-175/250V	298600007
R30CK	293045667	701830360	293045682	330855	40/370V	4040075	145-175/250V	298001157
R36CK	3018836*	701830360	N/A	330855	40/370V	4040075	145-175/250V	298001216
R48CK	3015342*	701820246	701842482	4040160	60/370V	331733	270-324/330V	298001141
R24D(C)	3015120*	701820240	3062024					
R30D(C)	N/A	701830360	293045682					
R36D(C)	293045215	701830360	N/A					
R48D(C)	293045683	701820246	701842482					
R24E(C)	N/A	701820240	3062024					
R30E(C)	3000128*	701830360	293045682					
R36E(C)	3019131*	701830360	N/A					
R48E(C)	3015242*	701820246	701842482					
R20ECK	N/A	701820240	N/A					
R24ECK	336063	701820240	3062024					
R30ECK	3019131*	701830360	293045682					
R36ECK	3019137*	701830360	N/A					
R48ECK	3015249*	701820246	701842482					

\*Raw Compressor Part Number

Start Relays: All R5-16 models (115V & 230V) may use the Universal Replacement Start Relay (4040060)

<b>Contactors for 3 Phase Compressors Only</b>		
115V Coil	4130830	All D & E models w/115V control
230V coil	4130630	All DC & EC models w/230V control

<b>Condenser Seawater Manifolds</b>		
R30	720243000	water in
R30	720243001	water out
R36	720303600	in/out (order qty 2)
R48	720424800	in/out (order qty 2)

<b>Base Valves</b>	
3080106	Base Valve 3/8
3080204	Base Valve 1/4
3080808	Base Valve 1/2
3081206	Base Valve 3/8 with Purge Port
330642	Cap Access (Cap Only)
3121301	Cap Valox Base Valve Stem



# Modulating Condenser Replacement Parts

## "RM" Type Remote Modulating Condensing Unit Replacement Parts

Model	Repl	Repl Cond	Run Capacitor		Start Capacitor		Start Relay
	Comp	Assy	p/n	mfd/volts	pn	mfd/volts	p/n
RM24C	293045207	293045682	330855	40/370	4040206	88-106 330V	4040060
RM30C	293045233	N/A	331475	35/440	4040206	88-106 330V	4040060
RM42C	293045678	701842482	4040155	55/370	4040206	88-106 330V	4040060
RM24CK	298001305	293045682	4040145	45/370	4040206	88-106 330V	4040060
RM30CK	298001305	N/A	333026	50/370	4040206	88-106 330V	4040060
RM42CK	N/A	701842482	4040160	60/370	331733	270-324/330	335355
RM24D(C)	298001360	293045682					
RM30D(C)	293045237	N/A					
RM42D(C)	293045683	701842482					

Contactors for 3 Phase Compressors only			
120V Coil	4130830	All D & E models with 120V control	
230V Coil	4130630	All DC & EC models with 230V control	
Condenser Seawater Manifolds			
RM24	720243000	water in	
RM24	720243001	water out	
RM30	720303600	in/out (order qty 2)	
RM42	720424800	in/out (order qty 2)	
RM Control Parts			
All RM Units		4143775	Resistor 7.5K OHM 10W
All RM Units		4135502	Time Delay 18-240V
All RM Units		4220047	Relay PC Board A-550
All RM Units		TR230	Relay Trigger 230V
RM24C - RM42C		4134200	Relay Solid State 75 amp

# DX Replacement Parts Index

---

## ACCUMULATORS

---

<u>Part #</u>	<u>List Price (USD)</u>	<u>Description</u>
331322	\$42.00	Accumulator (used on all CS6-16K and KRA425C, KRA450C)
333150	\$155.00	Accumulator (used on all CS24K - CS36K & Emeralds 24-36K)
3160401	\$130.00	Accumulator (used on all CS48K - CS60K & Emeralds 48-72K)

---

## BASE VALVE

---

330410	\$70.00	Valve, Base 1/4F X 1/4S B
330416	\$85.00	Valve, Base 3/8F X 3/8S B
330417	\$105.00	Valve, Base 1/2F X 1/2S B
330694	\$125.00	Valve, Base 5/8F X 5/8S B

---

## BLOWERS

---

2053405	\$180.00	Blower Wheel/Housing EBD/E30-36K
2053410	\$320.00	Blower Wheel/Housing EBD48
2053430	\$495.00	Blower Wheel/Housing FPV60 50HZ
2054310	\$400.00	Blower, 830CFM 230V50/60 FO
239400014	\$605.00	Blower w/Capacitor VC7Z-HV
239400027	\$735.00	Blower High Velocity w/Capacitor VC18K-HV, 115V
239400047	\$735.00	Blower High Velocity w/Capacitor VC18KZ-HV, 230V
239400052	\$230.00	Blower Assy Turbo 6K 115V
239400053	\$230.00	Blower Assy Turbo 6K 220/230V
239400054	\$255.00	Blower Assy Turbo 8K 115V
239400055	\$255.00	Blower Assy Turbo 8K 220V/230V
239400056	\$305.00	Blower Assy Turbo 10-12K 115V
239400057	\$305.00	Blower Assy Turbo 10-12K 220/230
239400058	\$350.00	Blower Assy Turbo 14-16K 115V
239400059	\$350.00	Blower Assy Turbo 14-16K 220/230
239400063	\$230.00	Blower Assy, ECD5K-HV, 115V
239400064	Call For Pricing	Blower Assy, ECD6.5K-HV, 115V
239400065	\$290.00	Blower Assy, ECD9K-HV, 115V
239400066	Call For Pricing	Blower Assy, ECD11K-HV, 115V
239400067	\$325.00	Blower Assy, ECD15K-HV, 115V
239400068	Call For Pricing	Blower Assy, ECM5K-HV, 115V
239400069	Call For Pricing	Blower Assy, ECM6.5K-HV, 115V
239400070	Call For Pricing	Blower Assy, ECM9K-HV, 115V
239400071	Call For Pricing	Blower Assy, ECM11K-HV, 115V
239400072	\$395.00	Blower Assy, ECM15K-HV, 115V
293042209	\$575.00	Blower Assy VCD/SF5 115V F to HV
240110095	\$600.00	Blower High Velocity w/Capacitor SF5 115V
293042031	\$785.00	Blower High Velocity w/Capacitor SF16 115V
293042049	\$785.00	Blower High Velocity w/Capacitor SF16 230V
293042076	\$625.00	Blower High Velocity w/Capacitor SF7 115V
293042080	\$670.00	Blower High Velocity w/Capacitor SF10-12 115V
293042081	\$670.00	Blower High Velocity w/Capacitor SF10-12 230V

# DX Replacement Parts Index

---

## BLOWERS Continued

---

<u>Part #</u>	<u>List Price (USD)</u>	<u>Description</u>
293042219	Call For Pricing	Blower INS w/Capacitor E4FD-HV 115V
293042211	Call For Pricing	Blower INS w/Capacitor E4FDZ-HV 230V
293042210	\$650.00	Blower INS w/Capacitor E6FD-HV 115V
293042212	Call For Pricing	Blower INS w/Capacitor E6FDZ-HV 230V
293042213	\$690.00	Blower INS w/Capacitor E9FD-HV 115V
293042214	\$680.00	Blower INS w/Capacitor E9FDZ-HV 230V
293042218	\$735.00	Blower INS w/Capacitor E12FD-HV 115V
293042215	\$740.00	Blower INS w/Capacitor E12FD/1-HV 115V
293042216	\$690.00	Blower INS w/Capacitor E12FDZ-HV 230V
293042217	\$695.00	Blower INS w/Capacitor E12FDZ/1-HV 230V
291617060	\$730.00	Blower INS w/Capacitor E16FD-HV 115V
291617061	\$710.00	Blower INS w/Capacitor E16FDZ-HV 230V
239400039	\$660.00	Blower E9FD-HV, w/5" mount ring 115V
239400045	\$685.00	Blower E12KZ/1HV, w/6" mount ring 230V
239400042	\$775.00	Blower E16FDZ-HV, w/7" mount ring 230V - works on both 16K and 16K/1 units
293042221	\$1,205.00	Blower Assy Retro VCD24 FZ to HVZ**
715210504	\$655.00	Blower Assy 4/5K HIEFF REU4/5C 230V
715212416	\$625.00	Blower 4/5K PLSTC HV, REU4/5K 115V
715212400	\$830.00	Blower Assy RE/REU24C HI EFF 230V
725210514	\$1,675.00	Blower RE30/36 230V
715212412	\$660.00	Blower FA3-6 115V
715212407	\$660.00	Blower FA3-6C 230V
715212414	\$660.00	Blower FA7.5 & 9 115V
715212410	\$660.00	Blower FA7.5 & 9C 230V
715212413	\$710.00	Blower FA-12 115V
715212408	\$710.00	Blower FA12C 230V
715212409	\$750.00	Blower FA15/18 115V
715212406	\$750.00	Blower FA15/18C 230V
715212423	\$745.00	Blower Assy EBE24-230V w/cap
715212424	\$750.00	Blower Assy EBE18-230V w/cap
239400092	\$915.00	Blower EBE30-230V 10"MR
715212428	\$780.00	Blower Assy EBDE36-230V w/cap
715212430	\$1,010.00	Blower Assy EBDE48-220V w/cap
715212429	\$1,020.00	Blower Assy EBDE72-220V w/cap

---

## CAPACITORS

---

### Start Capacitors

334867	\$40.00	Capacitor Hard Start with Relay
330412	\$20.00	Capacitor START 21-25MFD/330V SH & SX7, 10, R/RX/RN,RQ 5,7,10, SQUF30, VECU18
330559	\$34.00	Capacitor START 72-88MFD/330V W/BR for all Stowaway V Rotary Compressors
331733	\$70.00	Capacitor START 270-324/330V W/BR RM42CK / R48CK
332475	\$85.00	Capacitor START 161-193/330V W/BR EM30/36 220V

# DX Replacement Parts Index

## CAPACITORS Continued

### Start Capacitors Continued

<u>Part #</u>	<u>List Price (USD)</u>	<u>Description</u>
335760	\$65.00	Capacitor START 189-227/250V EM36 230V
3100236.235	\$6.12	Capacitor START VCD18K
4040070	\$100.00	Capacitor START High Torque FX48, MTC(S) 48K & 60K
4040075	\$37.00	Capacitor START 145-175UF@250V W/BLE SH(N)24, R(X,N,Q) 20-36K
4040076	\$60.00	Capacitor START 145-175/330V W/O BR EM24K / EM30K 230V / EM48K 220V
4040106	\$70.00	Capacitor START 88-108/330V W/O BR EM48 230V
4040193	\$46.00	Capacitor START 161-193/250 V R(X,N) 20K 417A
4040206	\$32.00	Capacitor START 88-106 MR W/15 OHM SH/SX24C3 / SHSX24CK3 / R48C / RM24-30
4040543	\$22.00	Capacitor START 43-53 MFD. 330 VAC 60 (UL) CSD/CSM/SH/SX12C
298001296	\$32.00	Capacitor START 43-53 MFD 220V

### Run Capacitors

330855	\$22.00	Capacitor RUN 40MFD/370VAC Emerlads 10K 115V & 36K 230V, SHR/SXR7-12, VCD27, SQUF27, CHCG20, R(N,Q,X) 30-36k, RM24K
331475	\$19.00	Capacitor RUN 35MFD/370V CSD(M)6-8K, ED(M)6,8,12 115V/EM24-30K 230V/EM24 220V /R16/R30C/R20-24CK
331520	\$33.00	Capacitor RUN 55MFD/440V ROUND EM36 220V / EM48 230V
331523	\$32.00	Capacitor RUN 45MFD/440V EM30 220V
333026	\$25.00	Capacitor RUN 50MFD/370V RM30 220V, TWLC, CWMC
333360	\$18.00	Capacitor RUN 25MFD/370V CSD(M)16K 220V, ED/EM16K 220V, R/SH/SX10-12 115V, SH/SX/R16CK 220V, Eskimo Ice
333597	\$19.00	Capacitor RUN 20MFD/370V ED(M,Q)12K, R(X,Q)16C, SX16C, CSD(M) 12K 230V, ECD3.5
334145	\$38.00	Capacitor RUN 80MFD/370V EQ72, TWC48 & 60, MCG60
335802	\$35.00	Capacitor RUN 60MFD/440V EM48 220V
4040115	\$16.00	Capacitor RUN 15 MFD 400/440V SH/SX7, 7C, 10C, 12C, CSD(M)6-9K, EBDE72K
4040130	\$17.00	Capacitor RUN 30MFD/370V EM16K 230V, SH/SX24C, SHR/SXR10-16 all voltages, R20-24C
4040145	\$23.00	Capacitor RUN 45MFD 370VAC 60HZ ED(M)16K, RM24CK, VCD18K 220/230V
4040155	\$29.00	Capacitor RUN 55MFD/370V R48C, RM42C, FM42CK
4040160	\$33.00	Capacitor RUN 60 MFD 370VAC R(N,Q)48CK, CHCG24
4040185	\$65.00	Capacitor RUN 80MFD/440V RX,RQ 48, CWMC
4041004	\$30.00	Capacitor RUN 4 MF 370V EBS16, EBS16C
4041005	\$28.00	Capacitor RUN 5.0MFS/370V EBDE36K-48K 230V
4041007	\$16.00	Capacitor RUN 7.5 MF 370V EBDE36K-72K 220V

### Dual Capacitors

4040028	\$24.00	Capacitor DUAL 35MFD/6MFD 240V R410A & R417A TURBO/ECD(M) 6K 115V
4040034	\$23.00	Capacitor DUAL 20MFD/2MFD 370V R417A TURBO 6K 220V
337048	\$27.00	Capacitor DUAL 15MFD/2MFD 440V R410A 2.56" TURBO/ECD 6K 220/230V
4040031	\$23.00	Capacitor DUAL 30MFD/15MFD 370V TURBO 8, 115V
4040042	\$29.00	Capacitor DUAL 35MFD/16MFD 250V R410A & R417A TURBO 8K 115V
4040040	\$24.00	Capacitor DUAL 15MFD/4MFD 440V R410A TURBO 8K 230V & 220V
4040029	\$25.00	Capacitor DUAL 40MFD/10MFD 240V R410A Turbo 10K & R417A Turbo 10-12K 115V
338293	\$9.00	Capacitor DUAL 15MFD/3MFD 440V R410A Turbos 10K 230V & 220V
4040035	\$25.00	Capacitor DUAL 25MFD/3MFD 370V R417A TURBO 10K 220V
4040037	\$25.00	Capacitor DUAL 30MFD/3MFD 370V R417A TURBO 12K 115V

# DX Replacement Parts Index

---

## CAPACITORS Continued

---

### Dual Capacitors Continued

<u>Part #</u>	<u>List Price (USD)</u>	<u>Description</u>
4040052	\$32.00	Capacitor DUAL 35MFD/10MFD 370V R410A TURBO 12K 115V
4040041	\$24.00	Capacitor DUAL 20MFD/3MFD 440V R410A TURBO 10-12K 220V/230V & R417A 12K 220V
337047	\$30.00	Capacitor DUAL 45MFD/16MFD 370V R410A TURBO/ECD(M) 16K 115V
4040036	\$28.00	Capacitor DUAL 25MFD/4MFD 370V TURBO 14-16, 220V 50 Hz
4040038	\$28.00	Capacitor DUAL 30MFD/4MFD 370V TURBO 14-16, 230V 60 Hz
4040039	\$28.00	Capacitor DUAL 30MFD/16MFD 370V R417A TURBO 16K 115V
4040043	\$23.00	Capacitor DUAL 30MFD/5MFD 370V R410A & R417A TURBO 16K 230V
4040044	\$23.00	Capacitor DUAL 25MFD/5MFD 370V R410A & R417A TURBO 16K 220V

### Blower Capacitors

331027	\$23.00	Capacitor 20MFD WIRE W/8MM STUD 250 RE/REU16 115V, VCD18K 115V
331103	\$17.00	Capacitor 2MFD WIRE W/8MM STUD 425- TV/EBE/EBHE4-6K 230V
330669	\$22.00	Capacitor 10MFD WIRE W/8MM STUD 250 TV10-12 RE/REU10,12 RE/REU30C, HSA16
330670	\$20.00	Capacitor 3MFD WIRE W/8MM STUD 425- TV10-12K 230V, HSA16UKC, PHD12HVZ, EBHE12,
330750	\$20.00	Capacitor, 16MFD WIRE W/8MM STUD 250 TV8K 14K & 16K 115V
2052501	\$21.00	Capacitor 4MFD WIRE W/8MM STUD 400V TV/RE/REU7-8K 230V, EBE/EBHE 6K 230V
2052701	\$22.00	Capacitor 16MF RE/REU7, 8, 12 115V
2053101	\$20.00	Capacitor 6MFD/400V TV4-6K 115V, EBE/EBHE/VCD 18K 220/230V
4040045	\$20.00	Capacitor 5MFD WIRE W/8MM STUD&NUT TV14-16K 230V, EBE/EBHE14-16K 230V
4040058	\$22.00	Capacitor 8MFD WIRE W/8MM STUD RE/REU4-5K 115V RE/REU24K 230V, EBE/EBHE18-30K, VCD27K

---

## COMPRESSORS

---

239402000	\$520.00	Compressor 115V for SF5/2
239402002	\$535.00	Compressor 115V for SF7/2
239402004	Call For Pricing	Compressor 230V for VC/SXF 7K w/Overload and Hardware
239402008	Call For Pricing	Compressor 230V for VC/SXF 10K/2 w/Overload and Hardware
239402011	\$615.00	Compressor 230V for SF12C/2
239402063	\$880.00	Compressor 115V for SF16, VC16/2 w/overload
239402016	\$795.00	Compressor 220V for SF18CK/2
239402019	Call For Pricing	Compressor 115V for SXF12
298001186	\$1,575.00	Compressor Painted ZP21K5E 2361 410 27K units
239402020	\$505.00	Compressor Turbo/EC6K 115V W/OVRLD-HRDW
239402021	\$550.00	Compressor Turbo 6K 220V w/Overload and Hardware
239402022	\$520.00	Compressor Turbo/EC8K 115V W/OVRLD-HRDW
239402029	\$540.00	Compressor Turbo 12K 230V w/Overload and Hardware
239402030	\$555.00	Compressor Turbo 12K 220V w/Overload and Hardware
239402035	\$565.00	Compressor Turbo 16K 230V w/Overload and Hardware
239402036	\$720.00	Compressor Turbo 16K 220V w/Overload and Hardware
239402044	Call For Pricing	Compressor Turbo 6K-410 115V W/OVRLD
239402045	\$490.00	Compressor Turbo 6K-410 230/60V/OVRLD
239402046	\$485.00	Compressor Turbo 8K-410 115V W/OVRLD

# DX Replacement Parts Index

## COMPRESSORS Continued

<u>Part #</u>	<u>List Price (USD)</u>	<u>Description</u>
239402047	\$500.00	Compressor Turbo 8K-410 230V W/OVRLD
239402048	\$500.00	Compressor Turbo 6/8K-410 220/50 W/OVRLD
239402049	\$480.00	Compressor Turbo 10K-410 115V W/OVRLD
239402050	\$500.00	Compressor Turbo 10K-410 230V W/OVRLD
239402051	Call For Pricing	Compressor Turbo 10K-410 220/50 W/OVRLD
239402052	\$495.00	Compressor Turbo 12K-410 115V W/OVRLD
239402053	\$510.00	Compressor Turbo 12K-410 230V W/OVRLD
239402054	\$510.00	Compressor Turbo 12K-410 220/50 W/OVRLD
239402055	\$535.00	Compressor Turbo 16K-410 115V W/OVRLD
239402056	\$545.00	Compressor Turbo 16K-410 230V W/OVRLD
239402057	\$560.00	Compressor Turbo 16K-410 220/50 W/OVRLD
239402060	\$675.00	Compressor VT16K-TECH 115V w/Overload and Hardware
239402058	\$865.00	Compressor Painted 230V for SF16C/2 HSA16, SXR/SLX16 with overload
239402061	\$635.00	Compressor EC16K-TECH 115V w/Overload and Hardware
293013031	\$595.00	Compressor 230V for CS6KZ w/Hardware
293013032	\$590.00	Compressor 115V for CS6K w/Hardware
293013033	Call For Pricing	Compressor PNTD CS9KZ 230V w/Hardware
293013034	Call For Pricing	Compressor PNTD CS9K 115V w/Hardware
293013035	\$670.00	Compressor PNTD CS12KZ 230V w/Hardware
293013036	\$665.00	Compressor PNTD CS12K 115V w/Hardware
293013037	\$700.00	Compressor PNTD CS16KZ 230V w/Hardware
293013038	\$680.00	Compressor PNTD CS16K 115V w/Hardware
293045702	\$1,605.00	Compressor PNTD 2T RE 230/1 H22J20BA CS24K
293045215	\$1,350.00	Compressor Painted CSD36RZ3 230/50-60/3 Compressor Painted CS/VH16Z50 Replaces 293045674 for serial #s after 43497928 and dated after 08/28/14
293045012	\$810.00	
293045613	\$650.00	Compressor 115V for SF10 (built thru Feb. '03)
293045623	\$620.00	Compressor 115V for SF10-1 (built from Mar. '03)
293045614	\$665.00	Compressor 230V for SF10C (built thru Feb. '03)
293045051	\$670.00	Compressor 115V for SF12 (built thru Feb. '03)
293045052	\$690.00	Compressor 230V for SF12C (built thru Feb. '03)
293045053	\$685.00	Compressor 115V for SF16
293045054	\$710.00	Compressor 230V for SF16C
293045055	\$685.00	Compressor 220V for SF12CK (built thru Feb. 03)
293045057	\$550.00	Compressor 115V for SF7
293045112	\$815.00	Compressor 220V for SF16CK
293045140	Call For Pricing	Compressor 220V for VC/SX 7K
293045179	\$620.00	Compressor 115V for SF12/1 (built from Mar. '03)
293045207	\$1,785.00	Compressor 230V for RM24C
298001360	\$2,075.00	Compressor Painted 230/60/3 for RM24DC
293045237	Call For Pricing	Compressor Painted 230/60/3 for RM30DC

# DX Replacement Parts Index

## COMPRESSORS Continued

<u>Part #</u>	<u>List Price (USD)</u>	<u>Description</u>
293045233	\$1,815.00	Compressor Painted 230/60/1 for RM30C
298001305	\$1,905.00	Compressor Painted 220/50/1 for RM24CK & RM30CK
3018821	\$1,145.00	Compressor, H22 20K 220-240/50/1 (RE36ECK)
3019137	\$1,635.00	Compressor H22 36K 380/50/3 460/60/3 R36ECK
293045684	\$810.00	Compressor CSD, R(Q,X) 12K 240 w/Tube and Drier Compressor Painted R3103-16 R-Type 16K unit 240/50/1 417A Replaces 293045674 for serial #s before 43497928 and dated before 08/28/14
239402062	\$1,115.00	
293045686	\$1,320.00	Compressor R20C 230/60/1
293045703	\$1,435.00	Compressor R24C 230/60/1
293045682	\$1,345.00	Compressor R24CK 240/50/1
293045664	\$1,500.00	Compressor R30C 230/60/1
293045667	\$1,400.00	Compressor R30CK 240/50/1
293045675	\$1,320.00	Compressor R36C 230/60/1
293045678	\$1,880.00	Compressor R48C 230/60/1
293045683	Call For Pricing	Compressor R48DC 230/60/3
293045654	\$745.00	Compressor Painted R3101-5T 115V 5K R417A R/RX/RN
293045666	\$585.00	Compressor Painted R3140-7S 115V 7K R417A SLX/SXR/SHR
293045657	\$685.00	Compressor Painted R3101-7S 115V 6K R417A CS/SLX/SX/R/RX
293045661	\$705.00	Compressor Painted R3102-7S 230V 7K 417A CS/SLX/SN/R/RX/RN/RQ
293045651	\$645.00	Compressor Painted R3140-10S 115V 10K R417A CS/SLXR/SXR/SXF
293045668	\$730.00	Compressor Painted R3101-10S 115V 10K R417A SLX/SN/SX/R/RX/RN/RQ
293045659	\$645.00	Compressor Painted R3141-10S 230V 10K R417A SXR/SHR/SLX/SNR
293045669	\$735.00	Compressor Painted R3102-10S 230V 10K R417A SLX/SN/SX/R/RX/RN/RQ
293045655	\$660.00	Compressor Painted R3140-12S 115V 12K R417A SLX/SNR/SXR
293045656	\$735.00	Compressor Painted R3101-12S 115V 12K R417A CS/SLX/R/RX/RN
293045672	\$675.00	Compressor Painted R3141-12S 230V 12K R417A SLX/SX/SH/SN
293045665	\$740.00	Compressor Painted R3102-12S 230V 12K R417A SLX/SN/SX/R/RX/RN/RQ
293045642	\$675.00	Compressor Painted R3140-16S 115V 16K R417A SXR/VRD
293045644	\$740.00	Compressor Painted R3101-16S 115V 16K R417A CS/SX/RX/SLX
293045645	\$740.00	Compressor Painted R3102-16S 230V 16K R417A CS/SX/RX/SLX
293045652	\$680.00	Compressor Painted R3141-16S 230V 16K R417A SXR/HSA/VC/SXF/VT/SXR
293045673	\$810.00	Compressor Painted R3142-16S 240V 16K R417A SX/HSA/VC/VT/ST
293045641	\$745.00	Compressor Painted R3102-7T 230V 6K R417A CS/RX
293045650	\$745.00	Compressor Painted R3101-7T 115V 7K R417A CS/SLX/SX/RX
293045646	\$795.00	Compressor Painted R3102-12T 230V 12K R417A CS/SX/SLX/RX/RN/RQ/RSC
293045647	\$785.00	Compressor Painted R3101-12T 115V 12K R417A CS/SLX/SX/RX/RN
293045648	\$790.00	Compressor Painted R3102-10T 230V 10K R417A CS/SLX/SX/RX/RN/RQ
293045658	\$785.00	Compressor Painted R3101-10T 115V 10K R417A SLX/SN/SX/R/RX/RN/RQ
293045643	\$795.00	Compressor Painted R3102-16T 230V 16K R417A CS/SX
293045640	\$795.00	Compressor Painted R3101-16T 115V 16K R417A CS/RX
293045671	Call For Pricing	Compressor Painted R7CK R3103-7T 220V 7K R417A SX/R/RX/RN/RQ
293013047	\$540.00	Compressor Painted EM6K 115V w/Grommets and Sleeves
293013048	Call For Pricing	Compressor Painted EM8K 115V w/Grommets and Sleeves



# DX Replacement Parts Index

## COMPRESSORS Continued

<u>Part #</u>	<u>List Price (USD)</u>	<u>Description</u>
293013049	Call For Pricing	Compressor Painted EM10K 115V w/Grommets and Sleeves
293013050	Call For Pricing	Compressor Painted EM12K 115V w/Grommets and Sleeves
293013051	Call For Pricing	Compressor Painted EM16K 115V w/Grommets and Sleeves
293013052	\$525.00	Compressor Painted EM6K 230V w/Grommets and Sleeves
293013053	Call For Pricing	Compressor Painted EM6-8K 220 & 8K 230V w/Grommets and Sleeves
293013054	\$570.00	Compressor Painted EM10K 230V w/Grommets and Sleeves
293013055	\$580.00	Compressor Painted EM12K 230V w/Grommets and Sleeves
293013056	\$605.00	Compressor Painted EM16K 230V w/Grommets and Sleeves
293013057	Call For Pricing	Compressor Painted EM10K 220V w/Grommets and Sleeves
293013058	Call For Pricing	Compressor Painted EM12K 220V w/Grommets and Sleeves
293013059	Call For Pricing	Compressor Painted EM16K 220V w/Grommets and Sleeves
293600504	Call For Pricing	Compressor Painted EM24 230/60/1 w/Grommets and Sleeves
293600505	\$1,250.00	Compressor Painted EM30 230/60/1 w/Grommets and Sleeves
293600506	Call For Pricing	Compressor Painted EM36 230/60/1 w/Grommets and Sleeves
293600508	\$1,335.00	Compressor Painted EM24 220/50/1 w/Grommets and Sleeves
293600509	\$1,545.00	Compressor Painted EM30 220/50/1 w/Grommets and Sleeves
293600510	Call For Pricing	Compressor Painted EM36 220/50/1 w/Grommets and Sleeves
293600511	Call For Pricing	Compressor Painted EM48 220/50/1 w/Grommets and Sleeves
293600512	Call For Pricing	Compressor Painted EM24 230/60/3 w/Grommets and Sleeves
293600513	Call For Pricing	Compressor Painted EM30 230/60/1 w/Grommets and Sleeves
293600514	Call For Pricing	Compressor Painted EM36 230/60/3 w/Grommets and Sleeves
293600515	Call For Pricing	Compressor Painted EM48 230/60/3 w/Grommets and Sleeves
293600516	Call For Pricing	Compressor Painted EM24 380/50/3 w/Grommets and Sleeves
293600517	Call For Pricing	Compressor Painted EM30 380/50/3 w/Grommets and Sleeves
293600518	Call For Pricing	Compressor Painted EM36 380/50/3 w/Grommets and Sleeves
293600519	\$2,030.00	Compressor Painted EM48 380/50/3 w/Grommets and Sleeves
293600522	Call For Pricing	Compressor Painted EM24 460/60/3 w/Grommets and Sleeves
293600523	Call For Pricing	Compressor Painted EM30 460/60/3 w/Grommets and Sleeves
293600524	Call For Pricing	Compressor Painted EM36 460/60/3 w/Grommets and Sleeves
293600525	\$1,980.00	Compressor Painted EM48 460/60/3 w/Grommets and Sleeves
298001125	\$1,395.00	Compressor Painted EM48 230/60/1 w/Grommets and Sleeves

## CONDENSERS

<u>Part #</u>	<u>List Price (USD)</u>	<u>Description</u>
369627	\$325.00	Condenser Coil CS6/9
331235	\$440.00	Condenser Coil CS12/16
298001293	Call For Pricing	Condenser Coil Painted CSD24RZ/1
332685	\$255.00	Condenser Coil Assembly, ECD/ECM 5K-HV, 115V
334555	\$285.00	Condenser Coil Assembly, ECD/ECM 6.5K-HV, 115V
335465	\$345.00	Condenser Coil Assembly, ECD/ECM 9-11K-HV, 115V
335494	\$380.00	Condenser Coil Assembly, ECD/ECM 15K-HV, 115V
293044246	Call For Pricing	Condenser Coil Assy w/90 degree elbows VC16K/1 (From 3/03)
333344	\$625.00	Condenser Coil, 24M VC24

# DX Replacement Parts Index

## CONDENSERS Continued

<u>Part #</u>	<u>List Price (USD)</u>	<u>Description</u>
3062024	\$725.00	Condenser R-TYPE 20-24K
701842482	\$1,455.00	Condenser RM42 R48 Heat Pump
239401015	\$330.00	Condenser Coil Assy ST/ST6-8 W/EXT
239401016	\$370.00	Condenser Coil Assy ST/ST10-12 W/EX
239401017	\$400.00	Condenser Coil Assy ST/ST14-16 W/EX
239401032	\$300.00	Condenser Coil Assy EM6-10K
239401033	\$430.00	Condenser Coil Assy EM12-16K
239401040	Call For Pricing	Condenser Coil Assy EM24K
239401041	Call For Pricing	Condenser Coil Assy EM30K
239401042	Call For Pricing	Condenser Coil Assy EM36K
239401043	Call For Pricing	Condenser Coil Assy EM48K
293044033	\$325.00	Condenser Coil Assy w/90 degree elbows SF7K
293044034	\$340.00	Condenser Coil Assy w/90 degree elbows SF10K (Prior to 3/03)
293044035	\$390.00	Condenser Coil Assy w/90 degree elbows SF12K (Prior to 3/03)
293044036	\$390.00	Condenser Coil Assy w/90 degree elbows SF16K (Prior to 3/03)
R3600-S10	\$620.00	Condenser Stowaway Replacement SH/SX10
R3600-S7	\$490.00	Condenser Stowaway Replacement SH/SX7

## CONTACTORS

334398	\$120.00	Contact, 40A 3P 240V Emerald 24K-48K
4130630	\$230.00	Contact, 30A 3P 240V All R type units 24K-48K
4130830	\$240.00	Contact, 30A 3P 120V R24K-48K
331551	\$80.00	Contact, 40A 2P 240V Emerald 48K, 60K, RX48K

## CONTROLS AND CONTROL KITS

223100502	\$305.00	Repl Board U-Control DX & TW
223100500	\$499.00	Retro Module Passport I/O to Unity
223100503	\$600.00	Repl Board U-Control-Network DX with Canbus *for replacements only
263400645	\$90.00	Retrofit Kit Q/SMX Relay Board w/Hardware
4120051	\$35.00	Replacement D-Relay Board for A-284 Retrofit Boxes 40A 115/230V
701800012	\$270.00	Repl Control CKT 24VDC FR24NX
224110090	\$245.00	2-PRP circuit board & thermal compound packet
224110091	\$290.00	2-6 PRP circuit board & thermal compound packet

### Q-LOGIC BOXES AND BOARDS

701800004	\$250.00	Replacement Q-Logic Board
763100061	\$500.00	Canbus adapter kit for Q-Logic, DX & TW (does not include Q-Logic board)
222104002	\$1,050.00	Canbus to RS232 Serial Adapter Kit

### SMXii BOXES AND BOARDS

722300288	\$345.00	A-288D, Dual-Purpose Replacement SMXII HV Power Logic Board
763100064	\$730.00	PLPX-HV, Replacement P/L Box 115/230V, (6-Pin Plug)
763100037	\$645.00	PLHMX-HV, SMX II P/L Box for Modulating Systems, 115/230V
701500104	\$625.00	A-279, SMX II Retrofit for F20C-F60C w/ HV Board (No Triac)
701800007	\$380.00	A-281C, Replacement SMX II P/L Board, 115/230V
705600009	\$420.00	A-284, SMX II Retrofit P/L Box w/ HV Board A-288C (for 3-knob), 115/230V

# DX Replacement Parts Index

---

## CONTROLS AND CONTROL KITS Continued

---

<u>Part #</u>	<u>List Price (USD)</u>	<u>Description</u>
<b>SMX NET BOXES AND BOARDS</b>		
701500100	\$910.00	NPLRX-2, Retrofit SX/FX Units to SMX NET, 115/230V, includes Aux Heat Triac as of 5/1/2003
701500103	\$955.00	NPLRX-3, Retrofit WFAH/J/F Units to SMX NET, 115/230V, includes Aux Heat Triac as of 5/1/03
701500101	\$560.00	A-282NC, Replacement SMX NET P/L Board, 115/230V
763100057	\$355.00	SMXLB, SMX Control Online Black

---

### DRAIN PAN

---

239300022	\$155.00	Drain Pan w/ Isolator Pads Turbo 6-8K
239300023	\$155.00	Drain Pan w/ Isolator Pads Turbo 10-12K
239300024	\$155.00	Drain Pan w/ Isolator Pads Turbo 14-16K
239300027	\$205.00	Drain Pan SXUF18CK/1 Painted with Pad/Seal/Drain Kit/Top Comp Brkt
239300038	\$65.00	Drain Pan w/ Isolator Pads TV4-8
239300039	\$65.00	Drain Pan w/ Isolator Pads TV10-12
239300040	\$65.00	Drain Pan w/ Isolator Pads TV16
291603723	\$130.00	Drain Pan Assembly CS6-16
291602794	Call For Pricing	Drain Pan Assembly CS24-48
7000035	\$75.00	Kit Drain Pan Mounting VT6-16
291049008	\$24.00	Kit Drain Pan Mounting VC/SF 6-16
291049013	\$24.00	Kit Drain Pan Mounting VC24/SF24/VH24

---

### DUCT & INSTALL KITS

---

218000106	\$1,080.00	Install Kit 6K for ECD6K-HV
218000110	\$1,135.00	Install Kit 10K for ECD10K-HV
218000116	\$1,215.00	Install Kit 16K for ECD16K-HV
218000117	\$1,240.00	Install Kit 16KZ for ECD16KZ/1-HV
207500208	\$1,905.00	Retrofit Kit for ECD6KZ50-HV R410A
226600091	\$150.00	Dual Duct Kit 6K Enviro Units
226600092	\$150.00	Dual Duct Kit 10K & 16K Enviro Units

---

### ELECTRICAL BOX ASSEMBLY

---

<u>Part #</u>	<u>List Price (USD)</u>	<u>Description</u>
293049363	\$525.00	Electrical Box Assy ECD/MCS12 2251 410A
293049298	\$460.00	Electrical Box Assy ECD/MCS15 2251 417A
293049297	\$460.00	Electrical Box Assy ECD/MCS5 2251 417A
293049289	\$460.00	Electrical Box Assy ECD/MCS15 1161 417A
293049381	\$535.00	Electrical Box Assy ECD/MCS16 2361 417A Remote
293049287	\$460.00	Electrical Box Assy ECD/MCS9 1161 417A

---

### EVAPORATOR COIL ASSEMBLIES

---

333279	\$365.00	Evaporator Coil E9FD (order strainer/cap 332342), SF10, VR/VH/VM 9, VC10, ( Units built prior to March 2003)
333281	\$425.00	Evaporator Coil E12FD (order strainer/cap 332341), VC12,16 SF12,16 ( Built prior to March 2003)
330028	\$495.00	Evaporator Coil E16FD Low Profile (filter strainer 332200)

# DX Replacement Parts Index

---

## EVAPORATOR COIL ASSEMBLIES Continued

---

<u>Part #</u>	<u>List Price (USD)</u>	<u>Description</u>
335510	\$365.00	Evaporator Coil SF10-1, VC10/1 (Units built from March 2003)
335476	\$360.00	Evaporator Coil SF12-1 (Units built from March 2003)
335898	\$555.00	Evaporator Coil 18M BTU SVCD18K 12X12
239401027	Call For Pricing	Evaporator Coil Assy, Turbo 6K R410A w/ Strainer and Cap Tube
239401028	\$335.00	Evaporator Coil Assy, Turbo 8K R410A w/ Strainer and Cap Tube
239401029	\$385.00	Evaporator Coil Assy, Turbo 10K R410A w/ Strainer and Cap Tube
239401030	\$475.00	Evaporator Coil Assy, Turbo 12K R410A w/ Strainer and Cap Tube
239401031	\$520.00	Evaporator Coil Assy, Turbo 16K R410A w/ Strainer and Cap Tube
239401009	\$325.00	Evaporator Coil Assy Turbo 6K w/ Strainer and Cap Tube
239401010	\$325.00	Evaporator Coil Assy Turbo 8K w/ Strainer and Cap Tube
239401011	\$355.00	Evaporator Coil Assy Turbo 10K w/ Strainer and Cap Tube
239401012	\$355.00	Evaporator Coil Assy Turbo 12K w/ Strainer and Cap Tube
239401014	\$360.00	Evaporator Coil Assy Turbo16K w/ Strainer and Cap Tube
239401046	\$755.00	Evaporator Coil Assy, ET12FBM, CT, ST, CV w/ Strainer and Cab Tube
239401019	Call For Pricing	Evaporator Coil Assy, ECD/ECM 5K-HV, 115V
239401020	Call For Pricing	Evaporator Coil Assy, ECD/ECM 6.5K-HV, 115V
239401021	Call For Pricing	Evaporator Coil Assy, ECD/ECM 9K-HV, 115V
239401022	Call For Pricing	Evaporator Coil Assy, ECD/ECM 11K-HV, 115V
239401023	Call For Pricing	Evaporator Coil Assy, ECD/ECM 15K-HV, 115V
239401036	Call For Pricing	Evaporator Coil EBHE8
239401037	Call For Pricing	Evaporator Coil EBHE10
332062	\$245.00	Evaporator Coil SF5, 5-1, 5-2, E4FD (order strainer/cap 335466)
333278	\$270.00	Evaporator Coil SF7, VC7 & E6FD (order strainer/cap 332343)
331890	\$525.00	Evaporator Coil SF24, VH24, E18-24FDZM (uses expansion valve 335013)
293044121	\$290.00	Evaporator Coil Assy SF7 with filter strainer & cap tube
293044123	\$445.00	Evaporator Coil Assy SF12 with filter strainer & cap tube (3/03 & earlier)
293044124	\$450.00	Evaporator Coil Assy SF16 with filter strainer & cap tube (3/03 & earlier)
715210513	\$350.00	Evaporator Coil Assy RE5/REU5
715210701	\$395.00	Evaporator Coil Assy RE7/REU7
715210801	\$440.00	Evaporator Coil Assy RE8/REU8
715211001	\$440.00	Evaporator Coil Assy RE10/REU10
715211201	\$450.00	Evaporator Coil Assy RE12/REU12
715211601	\$615.00	Evaporator Coil Assy RE16/REU16
715211629	\$850.00	Evaporator Coil Assy RE/REU36
715212419	\$740.00	Evaporator Coil Assy RE24/REU24

---

### FILTER DRIERS

---

3150407	\$70.00	Drier, Filter R410A 2-6T BIFLO Emerald 24K-48K
3150409	\$50.00	Drier, Filter R410A Emerald 6K-16K

---

### FUSES

---

335498	\$8.40	Fuse 3AG .8 AMP SMX PC Board
4122810	\$7.35	Fuse MDA Ceramic 10A PR3X, PR8X
334397	\$17.00	Fuse 1/4AMP 250V (automotive type), A-281C SMX II Board w/ Heat Sink Plate
4122891	\$9.46	Fuse 50mA 5X20mm Delay 250V, A-281C SMX II Board wo/ Heat Sink Plate

# DX Replacement Parts Index

---

## HEATERS

---

<u>Part #</u>	<u>List Price (USD)</u>	<u>Description</u>
4200700	\$105.00	Heater Rect. 1KW 240V 25FIN EBHE6-8K
4200800	\$105.00	Heater Rect. 1.5KW 240V 25FIN EBHE10K
4200801	\$100.00	Heater Rect. 1.5KW 240V 25FIN 3Element EBHE24-30K
4200900	\$105.00	Heater Rect. 2KW 240V 25FIN EBHE12K
4200901	\$105.00	Heater Rect. 2KW 240V 25FIN 3Element EBHE16K

---

## OVERLOADS

---

044600	\$30.00	Overload For Pan 7CK Compressor
044700	\$33.00	Overload Old Copeland 30101-16
046801	\$31.00	Overload Tecum. 3014112 (SHR,SXR12,16)
046805	\$28.00	Overload Tecumseh 3014212 (SHR,SXR12CK)
048900	\$31.00	Overload Tecumseh 30101-10 * (SH, SX10) / (R10) 115V
049000	\$30.00	Overload Tecumseh 30101-11 &12 (SH, SX12) / (R12) 115V
049200	\$35.00	Overload Tecumseh 30102-10 * (SH, SX10C) / (R10C) 230V
049300	\$31.00	Overload Tecumseh 30102-12 * (SH, SX12C) / (R12C) 230V
330924	\$35.00	Overload Therm 140° Auto Reset
331404	\$30.00	Overload 16K 115V/AK8515 (SH,SX16, R16)
331405	\$29.00	Overload 16K 220V/AKA8515EXD
331406	\$30.00	Overload 6K 115V/AE5465E (SH,SX7)
331407	\$30.00	Overload 6K 220V/AE5465E
332849	\$28.00	Overload 7K 115V RG5467E
332850	\$30.00	Overload 230V SF7C
332851	\$28.00	Overload 7K 230V RG5467E
332852	\$28.00	Overload 9/10 115 RK5480E
332855	\$28.00	Overload 12K 115V RK5510E (SHR,SXR12 & SF12 built thru Feb. '03)
332856	Call For Pricing	Overload 12K 220V RK5513E (SF12C built thru Feb. '03)
332858	\$26.00	Overload 16K 115V RK5513E (SHR,SXR16, SF16)
332859	\$28.00	Overload 16K 220V RK5515E (SF16C, Turbo 16K 220V)
332860	\$28.00	Overload 220V SF16CK
3100250.277	\$12.00	Overload 115V VC16K / VR16K
335571	\$28.00	Overload 115V SF10-1 (built from Mar. '03)
335573	\$28.00	Overload MRA-38126-113..30299
335574	\$27.00	Overload 115V SF12-1 (built from Mar. '03)
335575	\$28.00	Overload 220V SF12CK-1 (built from Mar. '03)
336569	\$195.00	Overload .62-1.1A W/40A-CONTR
334570	\$190.00	Overload*1.3-1.9A
334173	\$190.00	Overload*1.8-2.7A
334174	\$190.00	Overload*2.5-4A
334171	\$190.00	Overload*5.5-8.5
334172	\$190.00	Overload*8-12A
336577	\$195.00	Overload, 12-18A use with 40 Amp Contactor
336579	\$230.00	Overload, 16-25A use with 55 Amp Contactor

# DX Replacement Parts Index

## OVERLOADS Continued

<u>Part #</u>	<u>List Price (USD)</u>	<u>Description</u>
4043100	\$21.00	Overload 5K 115V MRA99087-325
4062800	\$42.00	Overload Therm 180° Manual Reset
4120007	\$21.00	Overload MRA-12370-117..30299 R417A 115V Turbo 12K, VC12K/2, VR12K/2, SXF12/2
4120008	\$21.00	Overload MRA98866-325 7K-115V
4120009	\$21.00	Overload MRA98856 7K-230V
4120010	\$21.00	Overload MRA99027 10/12K-230V
4120022	\$21.00	Overload MRA98768 16K-230V
4120023	\$25.00	Overload MRA98704 18K-240V/50
4120024	\$21.00	Overload MRA99017-325 5K 240/50
4120025	\$21.00	Overload MRA99137-325 7K 240/50
4120027	\$21.00	Overload MRB5812-807 16K 115V
4120028	\$21.00	Overload MRA99200-325 10K 240
4120038	\$21.00	Overload MRA98706-325 10K
4120039	\$21.00	Overload MRA99052-325 10KZ
4120040	\$21.00	Overload MRA98533-325 14Z-Z50
4120046	\$19.00	Overload MRA-12371-729..30299
4120047	\$19.00	Overload MRA-12372-729..30299
4120057	\$28.00	Overload TECUMSEH 8300MSTH34
4120060	\$42.00	Overload TECUMSEH 8300MSPT59
4120061	\$30.00	Overload TECUMSEH 8300MRAT71
4120062	\$20.00	Overload TECUMSEH 8300MSTT72

## PRESSURE SWITCHES/TEE ASSY

4024214	\$38.00	Control HPS 575PSI R410A 1/4"F all Turbo R410A Digital
4024217	\$40.00	Control LPS CO60 CI90 1/4"F FL Emeralds R410A 6-16K Mechanical
4024218	\$40.00	Control HPS CO575 CI400 1/4"FF all Turbo R410A Mechanical
4024219	\$40.00	Control LPS 60-75 +/-5 Emeralds R410A 6-16K Digital
4024221	\$45.00	Control HPS 400/300 R407C (450psi)
4024222	\$45.00	Control LPS 78-92 1/4FL 1/4QD (78psi) R410A
4024200	\$34.00	Control LPS CO27 CI45 (UL) R417A, R407C (27psi)
4024300	\$40.00	Control HI PSI CO425 CI325(UL) all Turbo R417A Digital
4024400	\$41.00	Control HI PSI CO425 CI275 all Turbo R417A Mechanical
297000050	\$80.00	A-200, Line Duty High Pressure Switch, R417A/R22
297000047	\$80.00	A-201, Low Pressure Switch, R417A/R22
297000054	\$75.00	A-204, Low Pressure Port Retro Kit, R417A/R22
297000048	\$80.00	A-205, High Pressure Switch, R417A/R22
297000012	\$135.00	Tee Assembly High Pressure, high amperage, R417A/R22
297000013	\$150.00	Tee Assembly Low Pressure, high amperage, R417A/R22
297000014	\$130.00	Tee Assembly High Pressure, low amperage
297000015	\$150.00	Tee Assembly Low Pressure, low amperage

Notes:

1. Does not require cutting into refrigeration circuit.
2. Includes port for continued easy serviceability.

# DX Replacement Parts Index

---

## RECEIVER FOR EMERALDS AND CS REMOTES

---

<u>Part #</u>	<u>List Price (USD)</u>	<u>Description</u>
331170	\$150.00	Receiver, Bi-Flow CS6K - CS36K & Emeralds 24-36K
3150401	\$280.00	Receiver, Bi-Flow Emeralds 48K all voltages

---

## RELAYS

---

331269	\$65.00	Relay Potential JPR 65
331721	\$150.00	Relay Start GE 3ARR22W24
332056	\$45.00	Relay 24V Coil 10A SPST one per stage, smallest
331855	\$95.00	Relay 24V Coil 10A 4PD for use with socket, 3-5 stage Honeywell rev. cyc.
335355	\$120.00	Relay Start Electrical RVA6AP6D-947
4040060	\$65.00	Relay Start Motor UMSR50 replaces p/n's 334166, 332695, 4136150, 4037074, 332695, 4040054, 4037071, 4130150, 4128325, 4130100, 4130200
4127400	Call For Pricing	Relay Start Rotary 16C
4127500	\$115.00	Relay Start 3ARR3T3AV3 RT 16CK
4128010	\$155.00	Relay Potential JPR 66
4134200	\$250.00	Relay Solid State 75 amp
4134902	\$75.00	Relay DPDT 230V 30 Amp
4136050	\$105.00	Relay Ign Protected 4136000
4220047	\$85.00	Relay PC Board A-550
298001141	\$140.00	Relay Start Ign Protected (R48CK)
298001157	\$115.00	Relay Start Ign Protected (R30CK)
298001165	\$115.00	Relay Start Ignition Protection ARR3T3TP3
298001216	\$200.00	Relay Start Ign Protected GE3ARR3T1 (R20/36CK)
298600007	\$170.00	Relay Ign Protected 4136300 (R24CK)
TR115	\$65.00	Relay Trigger 115V
TR230	\$65.00	Relay Trigger 230V

---

## RESISTOR

---

4143515	\$0.55	Resistor 15K OHM 2 Watt
4143775	\$15.00	Resistor 7.5K OHM 10W all RM units
4146400	\$1.14	Resistor 56K OHM 2 Watt
332516	\$1.05	Resistor 62K OHM 1 Watt for DDC circuit board

---

## REVERSING VALVES

---

3081601	\$50.00	Reversing Valve Assy Emeralds 6K-10K all voltages
3081409	\$50.00	Reversing Valve Assy Emeralds 12-16K all voltages, VCD18-27K
3081511	\$50.00	Reversing Valve Assy Emeralds 24K-36K all voltages
3081520	\$105.00	Reversing Valve Assy Emeralds 48K all voltages
239100071	\$255.00	Reversing Valve Assy Turbo 6-8K 115V w/Solenoid
239100072	\$255.00	Reversing Valve Assy Turbo 6-8K 220/230V w/Solenoid
239100073	\$270.00	Reversing Valve Assy Turbo 10-12K 115V w/Solenoid
239100074	\$270.00	Reversing Valve Assy Turbo 10-12K 220/230V w/Solenoid
239100075	\$285.00	Reversing Valve Assy Turbo 14-16K 115V w/Solenoid
239100076	\$285.00	Reversing Valve Assy Turbo 14-16K 220/230V w/Solenoid
239100080	\$220.00	Reversing Valve Assy Stowaway SXF & SHF 12-16 (after 3/03) w/Solenoid



# DX Replacement Parts Index

---

## REVERSING VALVES Continued

---

<u>Part #</u>	<u>List Price (USD)</u>	<u>Description</u>
701820245	\$500.00	Reversing Valve Assy A-509B SH/SX/R7
701820243	\$500.00	Reversing Valve Assy A-509C R10-16
701820242	\$500.00	Reversing Valve Assy A-511B SH/SX10-16
701820240	\$500.00	Reversing Valve Assy R20/24
701830360	\$500.00	Reversing Valve Assy R30/36
701820246	\$500.00	Reversing Valve Assy R48 Straight Tube

---

## SOLENOID COIL

---

4071402	\$19.00	Coil, Solenoid 24V LDK11 48"
4071501	\$22.00	Coil, Solenoid 115V SH/SX7 / SHR/SXR7 / R5 / R7
4071502	\$19.00	Coil, Solenoid 115V LDK-310000 SH/SX10-16 / SHR/SXR10-16 / R10-16
4071503	\$17.00	Coil, Solenoid 115V LDL-31-120 Turbo 6-16K
4071601	\$22.00	Coil, Solenoid 230V SH/SX7C / R7C / R7CK
4071602	\$19.00	Coil, Solenoid 230V LDK-410000 SH/SH10-24, R10-16, VCD18K & 27K
4071603	\$17.00	Coil, Solenoid 230V LDL-41-120 All R410A Turbo - 6k - 16k & R417A 6K - 16K

---

## START ASSIST

---

335055	\$12.00	Start Assist. 370HM PTCR Emerlads 16K
--------	---------	---------------------------------------

---

## STRAINER WITH CAP TUBE

---

335466	\$28.00	Strainer with cap tube SF5K
332343	\$32.00	Strainer with cap tube SF7K
332342	\$43.00	Strainer with cap tube SF10K
332341	\$43.00	Strainer with cap tube SF12K
332340	\$43.00	Strainer with cap tube SF16K
3150018	\$48.00	Strainer with cap tube SF18K, 410A

---

## TX VALVE

---

3084704	\$195.00	Valve, TXV R410A w/Internal Check Valve for Emerald 6K-16K
3080058	\$185.00	Valve, TXV R410A 2T w/Internal Check Valve for Emerald 24-30K & R410A Evaps 18-30K
3080059	\$205.00	Valve, TXV R410A 3T w/Internal Check Valve for Emerald & R410A Evaps 36-48K
3080060	\$215.00	Valve, TXV R410A 5T w/Internal Check Valve for Emerald & R410A Evaps 60-72K



## ***AU/AU-EU Replacement Parts Table***

<b>AU/AU-EU HVZ Capacity</b>	<b>Voltage</b>	<b>Blower</b>	<b>Coil *Raw</b>	<b>Capacitor</b>	<b>Mount Ring</b>	<b>Flow Regulator</b>	<b>Breathe Easy Bulb</b>
6K	230V	264400087	336081	4040004	335884	293600556	4210800
9K	230V	264400083	336082	4040003	335883	293600298	4210800
12K	230V	264400084	336082	4040047	335883	293600299	4210800
18K	230V	264400085	336084	4040046	335882	293600301	4210827
24K	230V	264400081	336085	4040008	228701034	293600302	4210827

<b>AU/AU-EU DCZ Capacity</b>	<b>Voltage</b>	<b>Blower</b>	<b>Coil *Raw</b>	<b>Capacitor</b>	<b>Mount Ring</b>	<b>Flow Regulator</b>	<b>Breathe Easy Bulb</b>
6K	230V	264400135	336081	N/A	335884	293600556	4210800
9K	230V	264400136	336082	N/A	335883	293600298	4210800
12K	230V	264400091	336082	N/A	335883	293600299	4210800
18K	230V	264400090	336084	N/A	335882	293600301	4210827
24K	230V	264400137	336085	N/A	228701034	293600302	4210827

\*For coil assembly please call for part number and price.

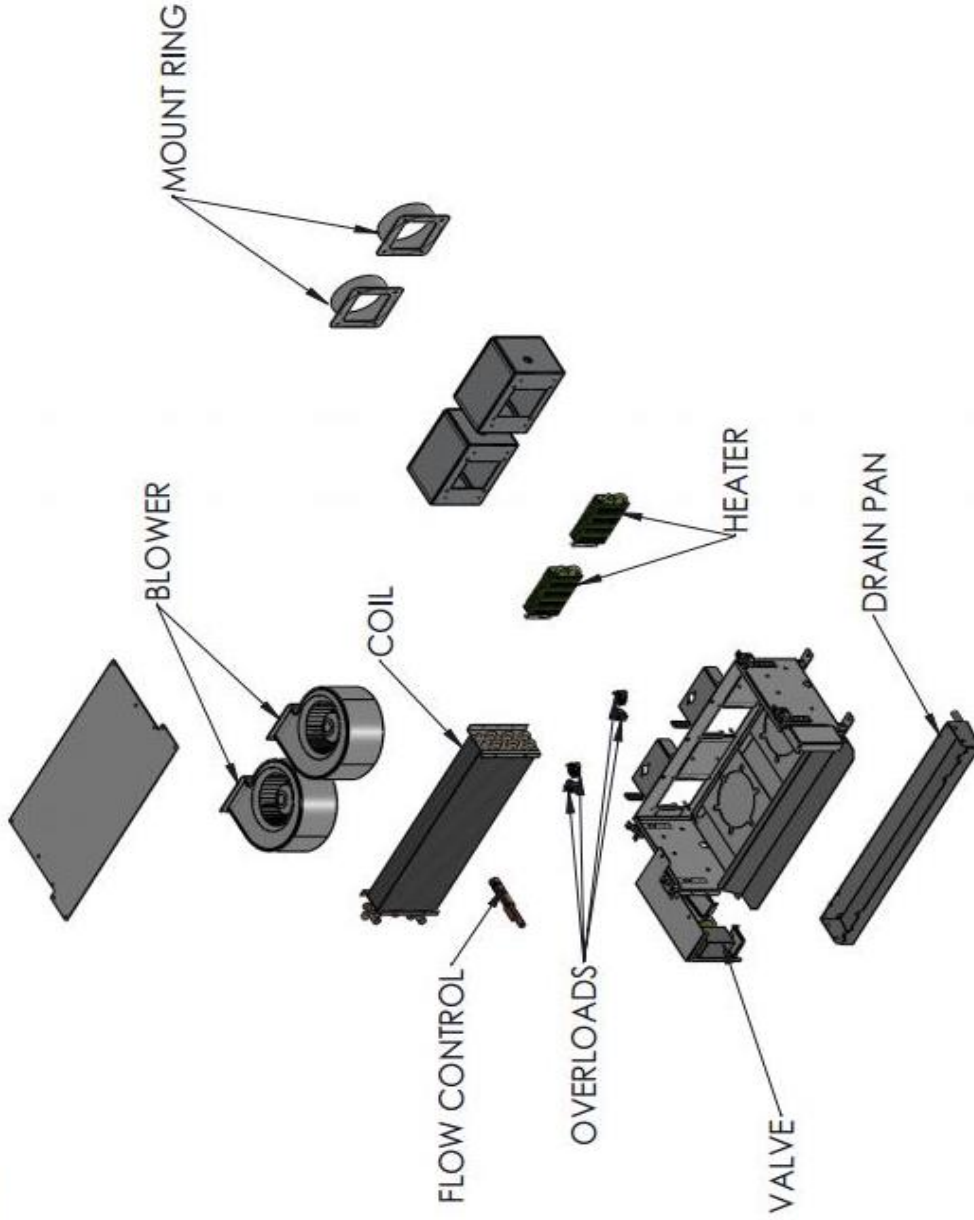
### **AU/AU-EU Air handlers - All Capacities and Voltages where applicable**

<b>Capacity</b>	<b>Valve 3 Way</b>	<b>1KW Heater</b>	<b>1.5KW Heater</b>	<b>High Limit Overload</b>	<b>Low Limit Overload</b>	<b>UV Light</b>
6K - 24K	4070008	4200701	4200801	4210034	330924	4210833

# CHILLED WATER REPLACEMENT PARTS

## ATL Airhandler Parts Breakdown

PROPRIETARY NOTE: THE INFORMATION CONTAINED  
HEREIN IS THE PROPERTY OF DOMESTIC  
CORPORATION. ANY ATTEMPT TO COPY OR DISTRIBUTE  
WITHOUT WRITTEN CONSENT FROM DOMESTIC  
CORPORATION SHALL BE CONSIDERED UNLAWFUL AND  
CAN BE CONTESTED IN A COURT OF LAW.



REV	DATE	REVISION DESCRIPTION	DWG	APR	Dometic Corporation	
					TITLE: ATL REPLACEMENT PARTS	
					DATE: 4/15/14	DWG BY: DRP
					SCALE: 1:18	APR BY:
					PART NUMBER:	DWG
						O.I.
						REV

# ATL Replacement Parts Table

## ATL HVZ

Capacity	Voltage	Blower	Capacitor	Coil	Mount Ring	Flow Control
6K	230V	2054304	4040004	3020059	335883	334943
9K	230V	2054302	4040003	3020059	335883	339435
12K	230V	2054302	4040003	3020058	335883	334945
18K	230V	2054302	4040003	3020058	335883	334947
24K	230V	2054310	4040008	360220	228701034	334368
36K	230V	2054318	4040046	330898	228701034	334309

## ATL DCZ

Capacity	Voltage	Blower	Capacitor	Coil	Mount Ring	Flow Control
6K	230V	2011024	N/A	3020059	335883	334943
9K	230V	2011024	N/A	3020059	335883	339435
12K	230V	2011024	N/A	3020058	335883	334945
18K	230V	2011024	N/A	3020058	335883	334947
24K	230V	336688	N/A	360220	228701034	334368
36K	230V	336688	N/A	330898	228701034	334309

	Voltage	3-Way Valve	High Limit Switch	Low Limit Switch	UV Ballast	Heater 1KW	Heater 1.5KW
All Capacities	230V	4070008	4210034	330924	4210833	4200701	4200801

Item	List Price USD	Description	Item	List Price USD	Description
330898	\$2,035.00	Coil 36K	2054310	\$400.00	Blower 24K HVZ
330924	\$35.00	Low Limit Switch	2054318	\$440.00	Blower 36K HVZ
336688	\$1,315.00	Blower 24-36K DCZ	3020058	\$655.00	Coil 12-18K
360220	\$1,060.00	Coil 24K	3020059	\$570.00	Coil 6-9K
334309	\$245.00	Flow Control 36K	4040003	\$8.94	Capacitor 9-18K HVZ
334368	\$245.00	Flow Control 24K	4040004	\$9.46	Capacitor 6K HVZ
334935	\$245.00	Flow Control 9K	4040008	\$14.00	Capacitor 24K HVZ
334943	\$245.00	Flow Control 6K	4070008	\$245.00	3-Way Valve 230V
334945	\$245.00	Flow Control 12K	4120034	\$49.00	High Limit Switch
334947	\$245.00	Flow Control 18K	4200701	\$90.00	Heater 1KW 240V 17-FIN
335883	\$20.00	Mount Ring 6-18K	4200801	\$100.00	Heater 1.5KW 240V 25-FIN
2011024	\$1,210.00	Blower 6-18K DCZ	4210833	\$105.00	UV Ballast
2054302	\$230.00	Blower 9K & 18K HVZ	228701034	\$42.00	Mount Ring 24-36K
2054304	\$175.00	Blower 6K & 12K HVZ			

# Chilled Water Replacement Parts Index

## ADAPTER

<u>Part #</u>	<u>List Price (USD)</u>	<u>Description</u>
334275	\$14.00	Adapter, SW Manifold, 5/8 x 1/2MPT

## AIR HANDLER PARTS

264400065	\$435.00	Retrofit Kit Breathe Easy AU6-12
264400066	\$455.00	Retrofit Kit Breathe Easy AU18-24
335168	\$125.00	Actuator only, Erie "Pop-Top"™, 115V
335169	\$140.00	Actuator only, Erie "Pop-Top"™, 230V
333837	\$325.00	3-way valve & actuator, 115V, 3/4" IFL, Erie "Pop-Top"™
333839	\$315.00	3-way valve & actuator, 230V, 3/4" IFL, Erie "Pop-Top"™
4070007	\$245.00	3-way valve & actuator, 115V, 1/2" sweat, replaces: Erie "Pop-Top"™ & Sinro (Plastic)
4070008	\$245.00	3-way valve & actuator, 230V, 1/2" sweat, replaces: Erie "Pop-Top"™ & Sinro (Plastic)
335808	\$500.00	3-way valve & actuator, 230V, 1" sweat, Erie "Pop-Top"™
332063	\$130.00	Motor Only for 3-way valve, 115V (see note)
332002	\$132.00	Motor Only for 3-way valve, 230V (see note)
331942	\$5.25	Rubber Boot for 3-way valve
291613004	\$65.00	36" Water Bleeder Valve Asy w/Nylon Tube & Straight Fitting
291613033	\$70.00	40" Water Bleeder Valve Asy w/Nylon Tube & Elbow Fitting
297000043	\$90.00	COS, Changeover T-STAT with Spring
334084	\$25.00	SPRING, to hold COS

### Notes:

1. Sinro valves and replacement parts are no longer available. The motors listed above CAN be used on Sinro AND Erie valves.

If the motor alone will not suffice, then replace a Sinro valve with the appropriate voltage of the SWEAT Erie valve.

DO NOT attempt to replace a Sinro with an IFL Erie valve. Refer to 2009 Field Notice 294-K09 for more information.

2. Actuator Note: Erie IFL and sweat valves use the same Erie actuator.

3. Sizing Note: 1/2" sweat valves fit 5/8" od copper tubing. 3/4" IFL (internal flare) valves fit flared 5/8" od copper tubing. 1" sweat fits 1-1/8" od copper tubing.

4. Erie/Invensys/TAC Note: Erie, Invensys, and TAC are different names for the same valve manufacturer and same valves.

5. Motor Only Note: "Motor Only" part numbers require the actuator to be opened and the motor itself replaced. This is not an easy operation, especially if the air handler is installed. We recommend replacing the entire actuator instead.

EXCEPTION: If you have a Sinro valve, it is easier to replace the motor than to replace the entire valve. Air handlers built before 2000 may not have removable actuators. In that case, replacing the motor may be preferable to replacing the entire valve.

## AUXILLIARY HEATER PARTS

<u>Part #</u>	<u>List Price (USD)</u>	<u>Description</u>
4201200	\$105.00	Heat Element for AT's, rectangular, 1KW, 120V
4200700	\$105.00	Heat Element for AT's, rectangular, 1KW, 240V
4201100	\$105.00	Heat Element for AT's, rectangular, 1.5KW, 120V
4200800	\$105.00	Heat Element for AT's, rectangular, 1.5KW, 240V
4201000	\$105.00	Heat Element for AT's, rectangular, 2KW, 120V
4200900	\$105.00	Heat Element for AT's, rectangular, 2KW, 240V
335871	\$46.00	Overload Thermal, Man-reset, 160F (Slimlines)
4120034	\$49.00	Overload Thermal, Man-reset, 240F (AT, ABL, ATL, ATV)
330924	\$35.00	Overload Thermal, Auto-reset, 140F (PHD & all CW AHs, including FAMU's)
331002	\$20.00	Thermal Fuse, 98C, 1KW and smaller (PHD, AHDT, AHFD, Slimlines, Blowthroughs)
331044	\$20.00	Thermal Fuse, 152C, 1.5KW and larger (PHD, AHDT, AHFD, Slimlines, Blowthroughs)
331580	\$855.00	HTELM1.5KW, Heat Element, 1.5KW, 115V
331035	\$595.00	HTELM1.5KWZ, Heat Element, 1.5KW, 230V

# Chilled Water Replacement Parts Index

## BLOWERS

### Blowers AU-HVZ

<u>Part #</u>	<u>List Price (USD)</u>	<u>Description</u>
264400087	\$370.00	REPL BLWR AU6HVZ 5"MR W/CAP
264400083	\$390.00	REPL BLWR AU9HVZ 6"MR W/CAP
264400084	\$440.00	REPL BLWR AU12HVZ 6"MR W/CAP
264400085	\$480.00	REPL BLWR AU18HVZ 7"MR W/CAP
264400081	\$720.00	REPL BLWR AU24HVZ 8"MR W/CAP

### Blowers AU-DCZ

264400135	\$1,365.00	REPL BLWR AU6DCZ 5"MR 230V
264400136	\$1,395.00	REPL BLWR AU9DCZ 6"MR 230V
264400091	\$1,490.00	REPL BLWR AU12DCZ 6"MR 230V
264400090	\$1,490.00	REPL BLWR AU18DCZ 7"MR 230V
264400137	\$1,620.00	REPL BLWR AU24DCZ 8"MR 230V

### Blowers AT-HV

264400008	\$370.00	REPL BLWR AT4FZ 4"MR 230V
264400078	\$245.00	REPL BLWR AT4HVZ W/CAP 4"MR 230V
264400127	\$410.00	REPL BLWR AT9HVZ 6"MR W/CAP 230V
264400128	\$430.00	REPL BLWR AT12HV/ABL24HVZ 6"MR 230V
264400129	\$500.00	REPL BLWR AT18HVZ 7"MR W/CAP 230V
264400053	\$645.00	REPL BLWR AT24HVZ 8"MR W/CAP 230V
264400006	\$775.00	REPL BLWR AT36HVZ 8"MR W/CAP 230V
291617076	\$520.00	BLWR INS AH6DT2, AT6HV W/CAP, 115V
291617010	\$630.00	BLWR INS AH9DT2, AT9HV W/CAP, 115V
291617077	\$685.00	BLWR INS AH12DT2, VH16HV, AT12HV, 115V
291617078	\$830.00	BLWR INS AH16-18DT2, AT18HV W/CAP, 115V
293042093	\$1,365.00	BLWR INS AH24DT(Z)/FD(Z) 8MR, 115V/230V
291617014	\$505.00	BLWR INS AH6DT2Z, AT6HVZ W/CAP, 230V
291617011	\$630.00	BLWR INS AH9DT2Z, AT9HVZ W/CAP, 230V
291617006	\$680.00	BLWR INS AH12DT2Z W/CAP, 230V
291617079	\$830.00	BLWR INS AH16-18DT2Z W/CAP, 230V
293042101	\$1,230.00	BLWR INS AH24DTZ/FDZ TO HVZ 8"MR, 230V
293042086	\$450.00	BLWR INS AH4FDZ 4"MR, 230V
291617001	\$620.00	BLWR INS 16-18, FDHVZ, DT2Z HV W/CAP 230V
264400080	\$1,185.00	BLWR AH12-24BTZ W/PLT, 230V

Note: Includes insulated blower, inlet mounting ring, and capacitor. Duct ring not included.

### Blowers AT-DC

264400021	\$1,285.00	REPL BLWR AT6DC 5"MR 230V
264400020	\$1,290.00	REPL BLWR AT9DC 6"MR 230V
264400019	\$1,415.00	REPL BLWR AT12DC/ABL24DCZ 6"MR 230V
264400018	\$1,395.00	REPL BLWR AT18DC 7"MR 230V
264400017	\$1,495.00	REPL BLWR AT24DCZ 8"MR 230V
264400016	\$1,710.00	REPL BLWR AT36DCZ 8"MR 230V

# Chilled Water Replacement Parts Index

## BLOWERS Continued

### Blowers ATL-DC

Part #	List Price (USD)	Description
2011024	\$1,210.00	REPL BLWR, ATL6-18K DCZ 230/50-60/1 (2 per unit for 12K and 18K)
336688	\$1,315.00	REPL BLWR, ATL24-36K DC-E 230/50-60/1 (2 per unit for 36K)

### Blowers ATL-HV

Note: Refer to ATL Replacement Parts Table on previous page for ATL 230V blowers.

2054316	\$215.00	Replacement Blower ATL6K & ATL12K HV 115V (2 per unit for 12K)
2054306	\$220.00	Replacement Blower ATL9K & ATL18K HV 115V (2 per unit for 18K)
2011001	\$270.00	Replacement Blower ATL24-36K HV 115V (2 per unit)

## CAPACITOR - BLOWER

4040003	\$8.94	3 mfd with spades for 9K HVZ 230V - AT, ATL, ABL18, AU
4040004	\$9.46	4 mfd with spades for AT6,12,18,24HVZ 230V
4040047	\$13.00	5 mfd with spades for 12K HVZ 230V - AT, ATV, ABL24, AU
4040046	\$13.00	6 mfd with spades for 18K-24K HVZ 230V AT, ATL36, ATV, AU
2053101	\$20.00	6 mfd, high velocity blower capacitor w/o spades
4040008	\$14.00	8 mfd with spades for 24K & 36K HVZ 230V - AT, ATL, ATV, AU
4040006	\$17.00	10 mfd with spades for 9K & 12K HV 115V - AT, ATL, ATV, AU
4040005	\$16.00	16 mfd with spades for 6K & 12K HV 115V - AT, ATV, AU
4040014	\$16.00	20 mfd with spades for 18K-24K 115V HV - AT, ATL, AU
331103	\$17.00	CAP2MFD, 2 mfd Fan Run Capacitor
333345	\$9.27	CAP5MFD, 5 mfd Fan Run Capacitor
331027	\$23.00	CAP20MFD, 20 mfd Fan Run Capacitor

## CONTACTOR

332169	\$240.00	Contactors AEG, 40A 3 phase, 240V coil
336556	\$95.00	Contactors, 40A 3P 240V CWMC, TWLC
336557	\$120.00	CONTACTOR, 40A 3P 24V COIL

## CONTROLS AND CONTROL KITS

4220002	\$620.00	DDC circuit board, new dual voltage 115/230V (replaces 333647 & 333576)
4220102	\$625.00	Control, DDC 2-Speed 115/230V
263401101	\$780.00	Replacement TWLC Control Board-Rev B
4240500	\$125.00	DC Converter Board
4250042	\$375.00	Canbus Adapter Board for Q-Logic Networks
263600170	\$680.00	Control Replacement Kit CWMC with new rev H board and mounting plate
4220003	\$630.00	Control, CWMC new rev H (this replaces part number 334618)
4220103	\$630.00	Control, CWMC 2-Speed
331769	\$1,000.00	Control, Honeywell 2-stage LCD
331771	\$1,450.00	Control, Honeywell 4-stage LCD
291880000	\$2,200.00	Hydromatic Circuit Board, 3-5S, RC,230V
291880195	\$2,115.00	Hydromatic Circuit Board, 3-5S, CL, 230V
763300034	\$26.00	Replacement EPROM for MPE board

## CURRENT TRANSDUCERS (used on PLC Chiller Controls)

337468	\$190.00	10 amp Current Transducer
337469	\$190.00	30 amp Current Transducer
337470	\$190.00	50 amp Current Transducer



# Chilled Water Replacement Parts Index

## HARNESSES

4160099	\$410.00	Harness, MTD for Secondary LPS, no solenoid coil, no flow switch reed
4160051	\$390.00	Replacement Kit MTA/B-MTC, no solenoid coil, no flow switch reed
4160102	\$23.00	Harness, Retrofit for Secondary LPS, Cruisair

## HYDROMATIC SERVICE SENSORS

333972	\$105.00	Sensor Hydro/XTC SRV 20' cable
330926	\$105.00	Sensor Hydro/XTC 25' cable
330941	\$195.00	Sensor Hydro/XTC 50' cable

## INDICATOR LIGHT

360555	\$22.00	Green Indicator Light 28VAC
--------	---------	-----------------------------

## MECHANICAL 3-KNOB THERMOSTATS AND PARTS

019608	\$31.00	Terminal Strip Cover, 8 Lug, Plastic
019700	\$26.00	Switch Assembly Cover, Plastic
4060603	\$100.00	Thermostat Anticipating Heat and Cool, SA3/SSA3/DSA
4060703	\$90.00	Thermostat Anticipating *Cool Only, SA1/DSA
4020800	\$41.00	Switch, 3 Position, Rotary, SA1/SA3/SSA3/DSA
4023500	\$44.00	Switch, 3 Position, Rotary
4023600	\$32.00	Switch, 2 Position, Rotary 2-Speed Fan
5090900	\$13.00	Knob Black for Mylar
297000044	\$100.00	A-4215, Rotary Fan Speed Control, 115V
297000046	\$100.00	A-4216, Rotary Fan Speed Control, 230V

## POWER SUPPLIES

337488	\$160.00	Power Supply 115/230-24VDC 4.2A
337129	\$2,420.00	Single-Phase drives, POWER+ 12 A, 200-240 VAC 1PH, IP20/IP44
4250025	\$220.00	VFD Modbus Cable

## PRESSURE RELIEF VALVE

<u>Part #</u>	<u>List Price (USD)</u>	<u>Description</u>
3080053	\$395.00	Valve, Relief 600PSI 3/8"x1/2"
3080054	\$450.00	Valve, Relief 450PSI 3/8"x1/2"

# Chilled Water Replacement Parts Index

## SWITCHES

### DDC Remote Switches

<u>DDC Remote Switches</u>		DDC Remote Switches
263600104	\$215.00	1-Stage DDC Remote Switch, 25ft harness
263600107	\$380.00	2-Stage DDC Remote Switch, 25ft harness
263600108	\$440.00	3-Stage DDC Remote Switch, 25ft harness
263600114	\$450.00	4-Stage DDC Remote Switch, 25ft harness

### Rocker Switches

331847	\$22.00	Rocker pump selector switch w/ dash and circle
333708	\$5.25	Rocker switch used with CHC DDC, 10A SPDT

### Safety Switches

263400005	\$260.00	Hi Limit - high-temperature safety switch, 24V (replaces 332241)
263400006	\$260.00	Freeze Stat - low-temperature safety switch, 24V (replaces 332242)
360518	\$150.00	Freeze Stat - low-temperature safety switch, 220V (for MCP linevolt)

### Flow Switches

332025	\$170.00	Flow Switch (V10), Brass Body with Reed Switch
4020013	\$205.00	Flow Switch Black Plastic (not interchangeable with 332025 switch above)
333361	\$75.00	Replacement Reed Switch for V10 Flow Switch 332025
297704439	\$240.00	A-400, Flow Switch with Resistor, Cut Paddle
297704443	\$97.00	A-403, Flow Switch Replacement Reed with Resistor for #1061700

## TIME DELAY

4135502	\$37.00	Time Delay (delay on make 18-240VAC)
---------	---------	--------------------------------------

## TEMPERATURE SENSORS

297000051	\$135.00	A-415, Replacement Temp Sensor for A-350 Controls (MPA units)
4062305	\$80.00	Replacement Temp Sensor, TWLC (MPE) and Ranco ETC (MPC)

## TRANSFORMER

<u>Part #</u>	<u>List Price (USD)</u>	<u>Description</u>
332707	\$635.00	Transformer, multi-primary/24VAC secondary, 150VA
332501	\$205.00	Transformer, 380VAC primary/240VAC secondary

# CONDARIA

## Chilled Water Parts List

<b>AIR HANDLER CONTROL PARTS</b>		
<b>Item Number</b>	<b>List Price USD</b>	<b>Description</b>
<b>Main and Slave Boards:</b>		
530000129	\$660.00	Climate Organizer (CLIO) MBS-2 3 Speed Control Board
530000080	\$670.00	Top Climate MBS-3 3 Speed Main Board
530000160	\$325.00	Top Climate ABS-3 3 Speed Slave Board
530000128	\$900.00	Top Climate MBS-3 10 Speed Main Board
530000090	\$565.00	Top Climate MBS-6 3 Speed Main Board
530000100	\$350.00	Top Climate ABS-6 3 Speed Slave Board
530000010	\$790.00	Top Climate MBS 6-10 Speed Main Board
530000020	\$670.00	Top Climate ABS 6-10 Speed Slave Board
530703010	\$730.00	Personal Climate MBS-7 3 Speed Main Board
530703030	\$325.00	Personal Climate ABS-7 3 Speed Slave Board
530710060	\$770.00	Personal Climate MBS-7 10 Speed Main Board
530710080	\$325.00	Personal Climate ABS-7 10 Speed Slave Board
<b>Air Handler Top Climate Family Displays (MBS3-MBS6):</b>		
530000132	\$375.00	Climate Organizer Display Black (Clio) for MBS 2
530000133	\$375.00	Climate Organizer Display White (Clio) for MBS 2
530000131	\$375.00	Top Climate Display Vimar Idea (type) for MBS 3-6
530000200	\$375.00	Top Climate Display Living & Light tech (type) for MBS 3-6
530000110	\$375.00	Top Climate Display Axolute (type) for MBS 3-6
530000120	\$375.00	Top Climate Display Vimar Eikon (type) for MBS 3-6
<b>Air Handler Personal Climate Family Displays (MBS7):</b>		
530700050	\$310.00	Personal Climate Display VIMAR ARKE BLACK
530700060	\$310.00	Personal Climate VIMAR ARKE WHITE
530700110	\$310.00	Personal Climate Axolute & Air
530700010	\$310.00	Personal Climate VIMAR IDEA
530700040	\$310.00	Personal Climate Vimar EIKON-EVO
<b>3 Speed Capacitor Assemblies:</b>		
530079000	\$220.00	AP M (3 speed)
530079010	\$220.00	AP 1, AP3, Twin 12, Giant 4, Junior, Giant 8 (3 speed)
530079020	\$220.00	AP 5, Twin 18 (3 speed)
530079030	\$220.00	AP 8 & AP 10 (3 speed)
530079050	\$220.00	AP 12 (3 speed)
<b>10 Speed Capacitor Assemblies:</b>		
530077070	\$148.00	AP M (10 speed)
530077040	\$148.00	AP 1, AP3, Twin 12, Junior, Giant 4, Giant 8 (10 speed)
530077050	\$148.00	AP 5, Twin 18 (10 speed)
530077060	\$148.00	AP 8 and AP 10 (10 speed)
530077090	\$148.00	AP 12 (10 speed)
<b>Air Handler Ventilator Assemblies ( capacitors not included)</b>		
6080610	\$520.00	Mini & Compact
6080620	\$740.00	Junior
6080560	\$770.00	Giant 4 & Giant 8
6080643	\$400.00	AP M
6080640	\$510.00	AP 1 & AP3
6080650	\$530.00	AP 5
6080667	\$1,180.00	AP8 & AP 10 (insulated)
6080580	\$1,520.00	AP 12 (insulated)
<b>Air Handler Sensors</b>		
530000210	\$55.00	Air Sensors for All Condaria Air Handler Controls
5330250	\$55.00	Water Sensor for Air Handlers and Chillers

# CONDARIA

## Chilled Water Parts List

<b>Air Handler Water Valves and Parts</b>		
<u>Item Number</u>	<u>List Price USD</u>	<u>Description</u>
5302370	\$150.00	3 Way Valve Johnson Cont. Solenoid
5302390	\$150.00	3 Way Valve Solenoid for Sauder
5302302	\$300.00	3 Way Valve Body Sauder BUL15
529001025	\$450.00	3 Way 4 port Valve Complete for Condaria 220V 1PH Sauder
5330220	\$1,110.00	Chiller Organizer -1 Compressor Main Board
5330230	\$1,275.00	Chiller Organizer -2 Compressor Main Board
5330010	*	Obsolete Chiller Organizer 2 -3 Comp. M/B use 5330210
5330020	*	Obsolete Chiller Organizer 2 -4 Comp. M/B use 5330200
5330210	\$1,600.00	Chiller Organizer 2/3 -3 Comp. Main Board
5330200	\$1,600.00	Chiller Organizer 2/3 -4 Comp. Main Board
5330170	*	Obsolete Easy Chiller - 1 Comp/3 Sensor Main Board*
5330180	*	Obsolete Easy Chiller - 2 Comp/3 Sensor Main Board*
5330545	\$1,070.00	Easy Chiller - 1 Comp/4 Sensor Main Board*
5330540	\$1,190.00	Easy Chiller - 2 Comp/4 Sensor Main Board*

\* contact service department before ordering these boards.

**CHILLER CONTROL SYSTEM PARTS**

**Chiller Control Displays:**

533000025	\$400.00	Chiller Organizer PRIMARY Display, 1 Compressor
533000020	\$400.00	Chiller Organizer PRIMARY Display, 2 Compressor
533000010	\$1,350.00	Chiller Organizer 2/3 PRIMARY Display - 3 or 4 Comp.
5330090	\$435.00	Easy Chiller Display 1 or 2 comp. (board only)
533000300	\$1,350.00	Easy Chiller/Top Chiller Remote Network Ready Display

**Chiller Control Sensor:**

5330250	\$55.00	Water Sensor Chiller & Fancoil
---------	---------	--------------------------------

**Chiller Miscellaneous Parts:**

5240220	\$100.00	Pressure Gauge Condaria
5270320	\$150.00	Pressure Differential Switch
5270010	\$551.00	Flow Switch Caleffi 1 "

**Pumps**

6230780	\$1,650.00	Sea Water BCM20/A 230V/1/50-60
6230260	\$1,900.00	Sea Water BCM22/A 230V/1/50-60
6230370	\$1,150.00	Circulation Pump CM 22 E/R 230/60/1
6230840	\$1,244.00	Circulation Pump NMM25/12 230V/1/50-60
6231200	\$1,650.00	Sea Water Pump CP 20 230V/1/50-60
6231203	\$1,900.00	Sea Water Pump CP 26 230V/1-50-60
6231204	\$2,300.00	Sea Water Pump CP 30 230V/1-50-60
6230830	\$2,200.00	Sea Water Pump BNMM25/12 230 60/1
6230301	\$2,310.00	Sea Water Pump BC41/1E 230 50-60/1

**Pump Spare Parts**

6260190	\$260.00	Pump Seal Kit (diam. 12MM) BCM20, BCM 22, NMM25
6260195	\$350.00	Pump Seal Kit (diam. 18MM) BC41 E
6260210	\$13.00	Pump Head Gasket for BCM 20
6260220	\$17.00	Pump Head Gasket for BCM 22 and NMM25
6260230	\$25.00	Pump Head Gasket for BCM 41 E
6260300	\$25.00	Pump Head Gasket for BNMM25/12
6260011	\$22.00	Pump Capacitor 10 MF
6260010	\$26.00	Pump Capacitor 12.5 MF
6260020	\$30.00	Pump Capacitor 16 MF
6260030	\$35.00	Pump Capacitor 20 MF
6260040	\$39.00	Pump Capacitor 25MF

# REFRIGERATION

## Grunert Refrigeration Systems

<b>DOCKSIDER - AC Voltage Condenser (R404A Low Temp "400 Series")</b>			
<u>Item</u>	<u>List Price USD</u>	<u>Model</u>	<u>Description</u>
256000136	\$2,935.00	AC416HA	1/4 HP Water / Air, 115V, 404A ..

<b>PASSAGEMAKER - AC Voltage Condensers (R404A Low Temp "400 Series")</b>			
<i>Condensers for all applications.</i>			
<u>Item</u>	<u>List Price USD</u>	<u>Model</u>	<u>Description</u>
256000120	\$2,880.00	AC425	1/4 HP Hermetic, 404A, 115 Volt
256000149	\$3,580.00	AC425HA	1/4 HP Hermetic, 404A, 115 Volt Air / Water
256000122	\$3,695.00	AC450	1/2 HP Hermetic, 404A, 115 Volt
256000148	\$3,995.00	AC450HA	1/2 HP Hermetic, 404A, 115 Volt Air / Water
256000123	\$3,695.00	AC450Z	1/2 HP Hermetic, 404A, 230 Volt
256000174	\$3,815.00	AC475	3/4 HP Hermetic, 404A, 115 Volt
256000175	\$4,105.00	AC475HA	3/4 HP Hermetic, 404A, 115 Volt Air / Water
256000177	\$4,870.00	AC475Z	3/4 HP Hermetic, 404A, 230 Volt
256000187	\$4,915.00	AC475Z50	3/4 HP Hermetic, 404A, 220 Volt, 50Hz
256000173	\$4,635.00	AC4100Z	1 HP Hermetic, 404A, 230 Volt
256000129	\$4,990.00	AC4150Z	1 1/2 HP Hermetic, 404A, 230 Volt

**CAPACITIES:**

Equipment operated at 60 cycles will run at 100% rated capacity.  
 Equipment operated at 50 cycles will run at 82% rated capacity.

**VOLTAGE REQUIREMENTS:**

Add "Z" to Model Number for all 230 volt equipment.  
 When 60 cycle equipment is operated at 50 cycles with line voltage in excess of 220 volts, a step-down transformer **MUST** be used in conjunction with the equipment in order to reduce the line voltage to the recommended 200 or 220 volt range. See the Additional Components section for step-down transformer # 335894.



Passagemaker AC450

# REFRIGERATION

## Grunert Refrigeration Systems

### FLAT EVAPORATOR PLATES - Stainless Steel Wet and Dry Plates

Grunert offers two types of flat evaporator plates. The first style is constructed of 316 stainless steel and all seams are welded. It is designed to be used in a "wet" application in either a cockpit cooler or freezer that may contain salt or fresh water. The second is constructed of 304 stainless steel to be used in a "dry" application, i.e. drink box, bait freezer or standard refrigeration. There are no standard sizes, because all flat evaporator plates are custom built.

All custom plates must have customer sign-off prior to initiation of manufacturing.  
If interested in these items, please contact your Sales Representative.

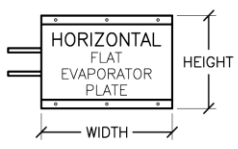
<small>PROPRIETARY NOTE: THE INFORMATION CONTAINED WITHIN THIS DOCUMENT IS THE PROPERTY OF DOMETIC CORPORATION. ANY ATTEMPT TO COPY OR DISTRIBUTE WITHOUT WRITTEN CONSENT FROM DOMETIC CORPORATION SHALL BE CONSIDERED UNLAWFUL AND CAN BE CONTESTED IN A COURT OF LAW.</small>	REV	DATE	REVISION DESCRIPTION	DWG	APR
	J	9/27/01	UPDATE PRICING CALCULATIONS.CAD964-01	DRR	RAP
	K	9/28/01	REVERSE WET & DRY VALUES.ADD 144.CAD969-01	DRR	RAP
	L	10/29/01	REMOVE SWAGELOK FITTINGS.CAD1062-01	DRR	RAP
	M	2/3/04	UPDATED TO 2004 PRICES.CAD070-04	DRR	RAP

**FLAT EVAPORATOR PLATE SPECIFICATIONS**

- Stainless steel outer shell (dry plate with 304SST, wet plate with 316L SST)
- 3/8" O.D. tube core and refrigerant connections:  
Stainless steel for wet plates,  
Copper for dry plates.
- Slim profile (9/16" thick)

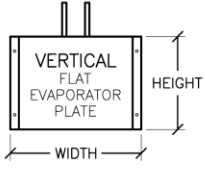
WIDTH \_\_\_\_\_"/cm x HEIGHT \_\_\_\_\_"/cm = \_\_\_\_\_ TOTAL SQUARE INCHES OR CENTIMETERS

NOTE: First dimension of model number indicates width in inches, second dimension indicates height in inches.



Complete this section for a HORIZONTAL plate:

- Choose either WET or DRY plate (circle one).
- Specify WIDTH of plate \_\_\_\_\_  
(8.0"/20.3cm min. and 44.0"/111.8cm max.)
- Specify HEIGHT of plate \_\_\_\_\_  
(7.5"/19.1cm min. and 45.75"/116.2cm max.)
- Length of 3/8"Ø O.D. refrigerant extensions:  
(8.0"/20.3cm is standard) \_\_\_\_\_
- Location of extensions (circle one):  
TOP / CENTER / BOTTOM (center is standard)
- If extensions not center, distance from outside flange: (2.0"/5.1cm min.) \_\_\_\_\_
- Refrigerant extension fitting type (circle one):  
FLARE / QD / NONE



Complete this section for a VERTICAL plate:

- Choose either WET or DRY plate (circle one).
- Specify WIDTH of plate \_\_\_\_\_  
(9.5"/24.2cm min. and 45.5"/115.6cm max.)
- Specify HEIGHT of plate \_\_\_\_\_  
(6.0"/15.2cm min. and 44.25"/112.4cm max.)
- Length of 3/8"Ø O.D. refrigerant extensions:  
(8.0"/20.3cm is standard) \_\_\_\_\_
- Location of extensions (circle one):  
LEFT / CENTER / RIGHT (center is standard)
- If extensions not center, distance from outside flange: (2.0"/5.1cm min.) \_\_\_\_\_
- Refrigerant extension fitting type (circle one):  
FLARE / QD / NONE

**MOUNTING CONSIDERATIONS (PLATES ARE POSITION SENSITIVE):**  
Horizontal plates can be mounted with the refrigerant extensions going left or right, but the refrigerant must always feed into the bottom tube. Vertical plates can be mounted with the refrigerant extensions going up or down, but the refrigerant must always feed into the tube on the right. These guidelines apply while looking at the finished surface on front of a plate. Plates used as shelves may be fed from either tube. Plates have 3/4" mounting flanges with 1/4" holes.

**CUSTOMER SIGNOFF**

DATE: \_\_\_\_\_

COMPANY NAME: \_\_\_\_\_

YACHT MODEL: \_\_\_\_\_

SIGNATURE: \_\_\_\_\_

PRINT NAME: \_\_\_\_\_

Dometic Corporation		Grunert	
FLAT EVAPORATOR PLATE			
RETAIL PRICE WORKSHEET			
DATE: 3-23-95	DWG BY: DKM	PART NUMBER:	DWG
SCALE: NTS	APR BY: DTS	N/A	G6030002
			REV M

# REFRIGERATION

## Grunert Refrigeration Systems

<b>HOLDOVER PLATES - Stainless Steel, DUAL Circuit</b>				
<b>Special order - call for pricing</b>				
<u>Item</u>	<u>List Price USD</u>	<u>Model Number</u>	<u>Plate BTUs</u>	<u>Description</u>
<b>-9° Freezer, 3 3/8" Thick</b>				
257000211	Call for Pricing	24X13 ML-FLR	2984	PLATE SS -9 DUAL 24X13 ML-FLR
<b>0° Freezer, 3" Thick</b>				
257000213	Call for Pricing	16X10 ML-FLR	1536	PLATE SS 0 DUAL 16X10 ML-FLR
257000240	Call for Pricing	16X14 4"-STB	2118	PLATE SS 0 DUAL 16X14 4"-STB
257000214	Call for Pricing	16X14 ML-FLR	2118	PLATE SS 0 DUAL 16X14 ML-FLR
<b>26° Refrigerator, 3" Thick</b>				
257000247	Call for Pricing	16X14 4"-STB	2356	PLATE SS 26 DUAL 16X14 4"-STB
257000221	Call for Pricing	16X14 ML-FLR	2356	PLATE SS 26 DUAL 16X14 ML-FLR
257000248	Call for Pricing	20X10 4"-STB	2174	PLATE SS 26 DUAL 20X10 4"-STB
257000251	Call for Pricing	24X13 4"-STB	3469	PLATE SS 26 DUAL 24X13 4"-STB
257000225	Call for Pricing	24X13 ML-FLR	3469	PLATE SS 26 DUAL 24X13 ML-FLR

<b>HOLDOVER PLATES - Stainless Steel, SINGLE Circuit</b>				
<b>Special order - call for pricing</b>				
<u>Item</u>	<u>List Price USD</u>	<u>Model Number</u>	<u>Plate BTUs</u>	<u>Description</u>
<b>-18° Freezer, 3 3/8" Thick</b>				
257000330	Call for Pricing	24X13 ML-FLR	3086	PLATE SS -18 SNGL 24X13 ML-FLR
<b>-9° Freezer, 3 3/8" Thick</b>				
257000331	Call for Pricing	12X10 ML-FLR	1023	PLATE SS -9 SNGL 12X10 ML-FLR
257000335	Call for Pricing	20X8 ML-FLR	1480	PLATE SS -9 SNGL 20X8 ML-FLR
257000337	Call for Pricing	24X13 ML-FLR	2984	PLATE SS -9 SNGL 24X13 ML-FLR
<b>0° Freezer, 3" Thick</b>				
257000365	Call for Pricing	16X10 4"-STB	1536	PLATE SS 0 SNGL 16X10 4"-STB
257000339	Call for Pricing	16X10 ML-FLR	1536	PLATE SS 0 SNGL 16X10 ML-FLR
257000366	Call for Pricing	16X14 4"-STB	2118	PLATE SS 0 SNGL 16X14 4"-STB
257000340	Call for Pricing	16X14 ML-FLR	2118	PLATE SS 0 SNGL 16X14 ML-FLR
<b>26° Refrigerator, 3" Thick</b>				
257000345	Call for Pricing	12X10 ML-FLR	1243	PLATE SS 26 SNGL 12X10 ML-FLR
257000346	Call for Pricing	16X10 ML-FLR	1708	PLATE SS 26 SNGL 16X10 ML-FLR
257000377	Call for Pricing	24X13 4"-STB	3469	PLATE SS 26 SNGL 24X13 4"-STB
257000351	Call for Pricing	24X13 ML-FLR	3469	PLATE SS 26 SNGL 24X13 ML-FLR

<b>THERMOSTATS</b>			
<u>Item No.</u>	<u>List Price USD</u>	<u>Model Number</u>	<u>Description</u>
259200100	\$190.00	T-STAT-I-R	Refrigeration T-Stat Assy. - Internal, 26 degree F plates
259200250	\$135.00	T-STAT-B-R	Refrigeration T-Stat Assy. - Bulkhead Mount, 26 deg F
259200200	\$170.00	T-STAT-I-F	Freezer T-Stat Assy. - Internal, 0 degree F plates
259200260	\$125.00	T-STAT-B-F	Freezer T-Stat Assy. - Bulkhead Mnt, 0 degree F plates
259200504	\$270.00	T-STAT-I -9 / -18	Freezer T-Stat Assy. - Internal, -9 & -18 degree F plates
259200505	\$200.00	T-STAT-B -9 / -18	Freezer T-Stat Assy. - Bulkhead Mnt, -9 & -18 deg F plates

# REFRIGERATION

## Grunert Refrigeration Systems

<b>EXPANSION VALVES</b>			
<b>Expansion Valve Size</b>	<b>Total Refrigerator Holdover Plate Capacity</b>	<b>Total Freezer Holdover Plate Capacity</b>	
1/4	1000-3800 BTU	1000-3200 BTU	
1/2	3800-7000 BTU	3200-6100 BTU	
1	7000-13000 BTU	6100-11400 BTU	
<u>Item</u>	<u>List Price USD</u>	<u>Model</u>	<u>Description</u>
<b>R404A EXPANSION VALVES</b>			
259332691	\$230.00	EV 1/4R-404A	Expansion Valve 1/4 - Refrigerator (R404A)
259332692	\$230.00	EV 1/4F-404A	Expansion Valve 1/4 - Freezer (R404A)
259332462	\$130.00	EV1/2R-404A	Expansion Valve 1/2 - Refrigerator (R404A)
259332463	\$130.00	EV1/2F-404A	Expansion Valve 1/2 - Freezer (R404A)
259332686	\$125.00	EV1R-404A	Expansion Valve 1 - Refrigerator (R404A)
259332687	\$125.00	EV1F-404A	Expansion Valve 1 - Freezer (R404A)
<b>R134A EXPANSION VALVES</b>			
259331456	\$125.00	EV1/4R -409/134	Exp. Valve 1/4 - Refrigerator ( R409A, R12, or R134A)
259331457	\$125.00	EV1/4F -409/134	Exp. Valve 1/4 - Freezer ( R409A, R12, or R134A)
259331458	\$125.00	EV1/2R -409/134	Exp. Valve 1/2 - Refrigerator ( R409A, R12, or R134A)
259331459	\$125.00	EV1/2F -409/134	Exp. Valve 1/2 - Freezer ( R409A, R12, or R134A)
259331462	\$125.00	EV1F -409/134	Exp. Valve 1 - Freezer ( R409A, R12, or R134A)
<b>Note:</b> These expansion valves are factory set for R134A. They may require field adjustment if used for R12 or R409A.			

<b>PUMPS</b>			
<u>Item</u>	<u>List Price USD</u>	<u>Model</u>	<u>Description</u>
<b>DC CENTRIFUGAL MAGNETIC DRIVE SEAWATER PUMPS</b>			
225500018	\$430.00	PML150/12V	P-800 with bracket, 2 GPM @ 7' head .
225500019	\$800.00	P900-12V	P-900 - 12 Volt, 4.3GPM @ 7.5' head, 3.6GPM @ 10' head
225500022	\$800.00	P900-24V	P-900 - 24 Volt, 4.3GPM @ 7.5' head, 3.6GPM @ 10' head
<b>Note:</b> P-900 contains replaceable brushes (see pump parts section)			

<b>ADDITIONAL COMPONENTS</b>			
<u>Item</u>	<u>List Price USD</u>	<u>Model</u>	<u>Description</u>
<b>SOLENOID VALVES</b>			
259100300	\$295.00	SVC 12VLT	Solenoid Valve/Coil Assembly, 12 Volt
259100050	\$610.00	1/4"TEE, 12VLT	Solenoid "T" Assembly, 12 Volt
<b>CHECK VALVES</b>			
338568	\$80.00	1/2"CV	1/2" Check Valve
259100200	\$325.00	1/2"CV TEE	1/2" Check Valve Tee Assembly
259000002	\$335.00	1/2" CV TRIPLE	1/2" Check Valve Triple Tee Assembly
<b>MISCELLANEOUS</b>			
338774	\$17.00	CUBE TRAY-H	Cube Tray - Horizontal
338630	\$230.00	RDT	Remote Dial Thermometer (3.5" dia, -20>120 degrees)
291510044	\$130.00	TRANS w/PLATE	Transformer MAG FD8-16 with mounting plate
332897	\$14.00	RELAY12VDC	Pump Relay for PM, 12VDC SPNO 40A w/ mounting ear



# REFRIGERATION

## Grunert Refrigeration Systems

### TYPICAL TWO BOX APPLICATION COMPONENTS LIST & RELATED NOTES

- A typical two box application that has one refrigerator box and one freezer box should consist of the following:
- 1) The condensing unit. Or two condensing units, one AC & one DC, if it is a dual circuit application as well.
  - 2) Solenoid Valve Tee assembly (one per condensing unit), 12VDC solenoid for use with AC condenser, or DC solenoid must match the DC condensing unit's voltage (12, 24 or 32).
  - 3) Check Valve Tee assembly (one per condensing unit).
  - 4) Expansion Valves: Two per condensing unit, one for each box of a single circuit or two for each box of a dual circuit.  
Valves must be ordered specifically for the capacity of the plate(s), type of box (refer or freezer), and refrigerant used.
  - 5) T-Stats: Two per condensing unit (one for each box of a single circuit or two for each box of a dual circuit).  
T-Stats must ordered specifically for the type of box (refer or freezer) and the temperature of the holdover plate(s).
  - 6) In a single circuit application the holdover plates will have crossovers while in a dual circuit system they will not.
  - 7) A dual circuit system, with one AC condenser & one DC condenser, requires one AC pump & one DC pump.
  - 8) Refer to drawing G2030015 in the Grunert AC/DC manual for a sample schematic of a two box, dual circuit system.
  - 9) Solenoid Valves and Check Valves are not needed for single box applications.
  - 10) Seawater pump(s) and related components to be sized for condensing unit(s).

### PARTS

<u>Item</u>	<u>List Price USD</u>	<u>Model</u>	<u>Description</u>
<b>THERMOSTAT PARTS</b>			
338551	\$80.00	TSTAT-REFER	Thermostat, w/72" Cap RFG w/Off A30-544/72" Cap RFG
338752	\$80.00	TSTAT-FRZR	Thermostat, w/72" Cap FRZR w/Off A30-2290-00
Note: The above replacement thermostats do not have a plate and are not used with Polar Mates.			
<b>QUICK DISCONNECT "QD" or "QC" FITTINGS FOR POLAR MATES</b>			
338484	\$50.00	M1/4"AER4/8/5502	Male #5 QD for FL-built Polar Mates (thru early 2001)
338485	\$50.00	F1/4"AER4/8/5505	Female #5 QD for FL-built Polar Mates (thru early 2001)
3123940	\$50.00	M1/4"5502-04B-06	Male #4A QC for VA-built Polar Mates (2001 to present)
3123930	\$50.00	F1/4"5505-04B-06	Female #4A QC for VA-built Polar Mates (2001 to present)
<b>FILTERS / DRIERS</b>			
369591	\$27.00	FLTR DR 1/4"	Filter / Drier for AC25, AC425, AC16HA, and AC416HA
338541	\$37.00	FLTR DR C082	F/D for AC450-4100, AC50-100, DC425-4100, DC25-100, A-HX-R
332717	\$80.00	FLTR DR C083	Filter / Drier for AC4150 & AC4200
<b>CONDENSER FANS</b>			
338801	\$150.00	FAN BSDR 12V	Fan for Baysider 12V
330367	\$310.00	FAN DOCK 115V	Fan for AC416, AC16, 115V
263400643	\$615.00	FAN ACHA 10" 12V	Fan, Field Replacement kit, for AC-HA units, 10" max flow, 12V
<b>WATER-COOLED CONDENSER COILS</b>			
297606603	\$725.00	CL CND AC475	Coil for AC475 - 2003 units w/item no. 25600017#
369627	\$325.00	CL CND AC50-75	Coil for AC50 - 75
331235	\$440.00	CL CND AC100-150	Coil for AC100 - 150
<b>PRESSURE SWITCHES</b>			
332590	\$95.00	PSHG 400PSI	High Press 400psi OFF / 300psi ON, R22, and R406 systems
332468	\$180.00	PSHG 200PSI	High Press 200psi OFF / 150psi ON, R12, R134A, R406, R409A
338534	\$165.00	PS OIL	Oil Pressure Switch

# REFRIGERATION

## Grunert Refrigeration Systems

<b>PARTS cont.</b>			
<u>Item</u>	<u>List Price USD</u>	<u>Model</u>	<u>Description</u>
<b>AC PAINTED COMPRESSORS, 400 SERIES</b>			
293013105	\$1,010.00	For AC450(HA)	1/2 HP Hermetic, 404A, 115 Volt
293045161	\$1,000.00	For AC450Z	1/2 HP Hermetic, 404A, 230 Volt
293013106	\$1,150.00	For AC475(HA)	3/4 HP Hermetic, 404A, 115 Volt
Compressors for all Evaporator Plates or 260 Refrigerator & 00 Freezer Holdover Plates.			
NOTE: SPECIAL PRICING MAY BE AVAILABLE FOR THESE COMPRESSORS, CONTACT SALES TEAM.			
<b>SOLENOID COILS</b>			
4070009	\$125.00	SC12	Solenoid Coil, 12 Volt, 10 Watt
<b>DC MOTORS</b>			
338712	\$1,245.00	MTR 1/4HP 12V	Motor 1/4HP, 12VDC for DC425
330153	\$1,670.00	MTR 1/2HP 12V	Motor 1/2HP, 12VDC for DC450
338753	\$1,560.00	MTR 1/2HP 24V	Motor 1/2HP, 24VDC for DC450
332027	\$1,835.00	MTR 3/4HP 12V	Motor 3/4HP, 12VDC for DC475
332294	\$1,450.00	MTR 3/4HP 24V	Motor 3/4HP, 24VDC for DC475
332404	\$1,890.00	MTR 1HP 24V	Motor 1HP, 24VDC for DC4100
<b>DC BELT-DRIVEN COMPRESSORS</b>			
Compressors are no longer available, see Field Notice 210-J3 on the Customer News and Information website.			
<b>PULLEYS (dimensions are "outside dimensions")</b>			
332181	\$105.00	AC35 X 5/8	3.5" Pulley x 5/8" Bore for DC4100BD-units mfg starting Nov 1, 2003 and for DC433/475, DC33/75-units mfg before Nov 1, 2003
338560	\$65.00	PLY 2.5 X 5/8	Pulley 2.5" x 5/8" for DC425/450, DC25/50-units mfg before 1-Nov-03
<b>BELTS</b>			
For units manufactured starting November 1, 2003:			
332066	\$75.00	AX28	30" OD Belt, AX-28 for DC425-450BD
For units manufactured before November 1, 2003:			
332182	\$80.00	BLT AX-36	Belt for DC425 - 4100BD, DC25 - 100BD
<b>RELAYS FOR MARINER BELT DRIVE</b>			
338574	\$49.00	56F602	RELAY, 120VAC #56F950
333522	\$65.00	90-295Q 230/240V	RELAY, 240VAC SPDT/240
<b>BRUSHES FOR LEESON DC MOTORS (on units built after 1990)</b>			
Price per brush (not sold in pairs).			
330300	\$170.00	BRSH 12V	Brush 12V DC motor for 1/4HP, 1/3HP, 1/2HP and 1HP
332377	\$150.00	BRSH 24V	Brush 24V DC motor for 3/4HP
<b>CLUTCH &amp; COIL ASSEMBLIES FOR ENGINE DRIVEN (ED) COMPRESSORS</b>			
333998	\$545.00	CLTCH CL 150-12	Clutch with Coil for ED150BD - R12 / 134A / 409A, 12V
333611	\$680.00	CLTCH CL 150-24	Clutch with Coil for ED150BD - R12 / 134A / 409A, 24V
<b>O-RING TO FLARE ADAPTERS FOR ENGINE DRIVEN (ED):</b>			
This kit includes the inserts and O-rings to convert the ports (suction and hot gas compressor) of the ED75 to flare connections.			
332071	\$5.25	KIT ORING / FL	O-ring to flare adapter kit for ED75 (R12, R134A, R409A)

# REFRIGERATION

## KRA Refrigeration Units

### Condensing Units - R404A

Item No.	List Price (USD)	Description
754000429	\$3,335.00	KRA425 Condenser 1/4HP 115V 404A Slanted SINGLE
754000425	\$3,880.00	KRA425 Condenser 1/4HP 115V 404A Slanted DUAL
754000426	\$3,880.00	KRA425C Condenser 1/4HP 230V 404A Slanted DUAL
754000451	\$4,930.00	KRA450 Condenser 1/2HP 115V 404A DUAL
754000453	\$4,930.00	KRA450C Condenser 1/2HP 230V 404A Slanted DUAL
754000457	Call For Pricing	KRA450CK Condenser 1/2HP 220V 404A Slanted DUAL



Dual box uses 12V controls  
Single box uses line duty.

### Condensing Units - R134A

Item No.	List Price (USD)	Description
754000100	\$2,935.00	KRA025 Air/Water, 1/4 HP, 115V, 60Hz
754000104	\$2,915.00	KRA038 Air/Water, 3/8 HP, 115V, 60Hz
754000106	\$3,105.00	KRA038CK Air/Water, 3/8 HP, 220V, 50Hz
754000105	\$3,250.00	KRA038/M-135 Air/Water 3/8HP 115V ETC T-Stat
754000108	\$3,790.00	KRA050 Air/Water, 1/2 HP, 115V, 60Hz



KRA038CK units replaces KRA025CK units

### Water-Cooled Only Condensing Units - R134A

Item No.	List Price (USD)	Description
754000110	\$2,295.00	KRA025 Condenser 1/4 HP, Water Cool Only, 115V, 60Hz
754000111	\$2,545.00	KRA038 Condenser 3/8HP Water Cool Only, 115V, 60Hz
754000116	\$2,655.00	KRA038CK Condenser 3/8HP Water Cool Only, 220V, 50Hz

KRA038CK units replaces KRA025CK units

### Evaporator Tubes-R134A (Pre-charged 3/8" copper tubing w/ QC's to wrap box)

Item No.	List Price (USD)	Description
221200518	\$490.00	ETA3C50, Evaporator Tube 50'
221200519	\$590.00	ETA3C65, Evaporator Tube 65'
221200517	\$800.00	ETA3C100, Evaporator Tube 100'
221200521	\$1,120.00	ETA3C150, Evaporator Tube 150'

### Suction Lines - R134A

Item No.	List Price (USD)	Description
221200589	\$185.00	SLA24, Suction Line, Insulated, 24", Copper
221200543	\$200.00	SLA48, Suction Line, Insulated, 48", Copper
221200571	\$205.00	SLA60, Suction Line, Insulated, 60", Copper
221200513	\$220.00	SLA72, Suction Line, Insulated, 72", Copper
221200516	\$235.00	SLA96, Suction Line, Insulated, 96", Copper
221200636	\$225.00	SLA120, Suction Line, Insulated, 120", Copper
221200539	\$265.00	SLA144, Suction Line, Insulated, 144", Copper
221200560	\$315.00	SLA168, Suction Line, Insulated, 168", Copper
221200582	\$315.00	SLA180, Suction Line, Insulated, 180", Copper
221200541	\$315.00	SLA216, Suction Line, Insulated, 216", Copper
221200583	\$325.00	SLA240, Suction Line, Insulated, 240", Copper
221200544	\$360.00	SLA300, Suction Line, Insulated, 300", Copper

### Liquid Lines - R134A

Item No.	List Price (USD)	Description
221200460	\$290.00	LLPA24, Liquid Line w/ CPV, 24" Copper
221200553	\$345.00	LLPA48, Liquid Line w/ CPV, 48" Copper
221200629	\$395.00	LLPA72, Liquid Line w/ CPV, 72" Copper
221200559	\$470.00	LLPA216, Liquid Line w/ CPV, 216" Copper
221200540	\$510.00	LLPA300, Liquid Line w/ CPV, 300" Copper

# REFRIGERATION

## KRA Refrigeration Units

<b>KRA Accessories</b>		
<u>Item No.</u>	<u>List Price (USD)</u>	<u>Description</u>
259000023	\$230.00	PJA20x5-CI, Plate Jumper, Copper, Insul., 20" Wide, 5" Legs
259000024	\$250.00	PJA28x12-S, Plate Jumper, SS, 28" Wide, 12" Legs
238100034	\$520.00	LLYA, Liquid Line Splitting Assy, w/ 115V Solenoid Valves
238100035	\$250.00	SLYA, Suction Line Splitting Assy
9011600	\$840.00	Gauge, Vacuum Electronic Micron
9040101	\$845.00	UV Light-115VAC w/ Special Glasses
221200545	\$205.00	CPV, Constant Pressure Valve with QC & Flare Connections
3123800	\$95.00	Constant Pressure Valve, pre-set @3PSI
3123910	\$50.00	3/8" Female Quick-Connect (#5505-06B-06)
3123920	\$50.00	3/8" Male Quick-Connect (#5502-06B-06)
3123930	\$50.00	1/4" Female Quick-Connect (#5505-04B-06)
3123940	\$50.00	1/4" Male Quick-Connect (#5502-04B-06)
754000114	\$235.00	TXV assembly, 1/4HP, R134A only
754000113	\$265.00	A-130, TXV assembly, 3/8HP, R134Aonly
754000115	\$250.00	TXV assembly, 1/2HP, R134A only
4062302	\$160.00	ETC Electronic T-Stat, 120/230V, 1-Stage
4062303	\$315.00	ETC Electronic T-Stat, 120/230V, 2-Stage
4062309	\$225.00	Temp Control TS2 115V, 16A (Temp. sensor purchased separately)
4062310	\$225.00	Temp Control TS2 12V, 16A (Temp. sensor purchased separately)
4062311	\$40.00	Sensor TS Temp Control 5'
Notes: 1. Order 753000128 (A-137) for thermistor cover on above T-Stats. 2. Order A-139 for surface mount kit TS2 Digital T-Stats.		
336863	\$33.00	NTC Bulb Temp Sensor 10ft
337423	\$41.00	NTC Bulb Temp Sensor 20ft
337453	\$60.00	NTC Bulb Temp Sensor 40ft
753000128	\$15.00	A-137, White Thermistor Cover with Screws and Label
A-139	\$395.00	Surface mount kit for TS2 control
758002006	\$340.00	Condensing Unit Relay 115V, 2 Triggers
221200581	\$300.00	Liquid Line Filter Drier with QD

<b>Replacement Parts</b>		
<u>Item No.</u>	<u>List Price (USD)</u>	<u>Description</u>
2054216	\$280.00	Fan Axial KR025, 038, 050 115VAC
2054217	\$290.00	Fan Axial KR025, 038 230VAC
3023102	\$395.00	Coil Condenser Air KR 1/4 & 3/8
298001127	\$305.00	R3600-KRA, Coil Condenser Water KRA 1/4 & 3/8
336824	\$585.00	Compressor, Refrig, 1/4HP, Tecumseh, 115V 60Hz
338132	\$585.00	Compressor, Refrig, 1/4HP, Tecumseh, 220V 50Hz
336825	\$535.00	Compressor, Refrig, 3/8HP, Tecumseh, 115V 60Hz
3011017	\$930.00	Compressor, Refrig, 1/2HP, Tecumseh, 115V 60Hz
044900	\$27.00	Overload for 1/4HP & 3/8HP KRA Comps, AEA2410, 2413
4129010	\$50.00	Start Relay for 1/4HP & 3/8HP KRA Comps, AEA2410, 2413
336669	\$100.00	Start Cap for 1/4HP & 3/8HP KRA Comps, AEA2410, 2413
4040295	\$37.00	Start Capacitor for 1/2HP KRA Compressor, AJA2419
3150404	\$165.00	Receiver/filter, 3/8" OD Solder, 8" Tall (KRA Units)
3086800	\$45.00	Glass Sight Moisture Indicator, Sweat
722400012	\$44.00	A-556, MOV Surge Suppressor (Blue)
4080104	\$5.36	Strip Terminal 4 Lug
5082410	\$6.30	Nut, Well, Threaded Rubber Insert 1/4"x20
3123751	\$140.00	TXV 1/4HP
3123750	\$140.00	TXV 3/8HP
3123752	\$140.00	TXV 1/2HP

# REFRIGERATION

## Adler Barbour DIY Refrigeration

### Condensing Units

Item No.	List Price (USD)	Description
755400000	\$1,240.00	CU-100, ColdMachine™, Self-Seal QC, Air Cooled, 12VDC
755410000	\$1,380.00	CU-200, SuperColdMachine™, Self-Seal QC, Water and Air Cooled, 12VDC
CU-54	\$1,050.00	50 Series Condensing Unit, Horizontal, Long Layout, 12/24VDC, Air Cooled only
CU-55	\$1,050.00	50 Series Condensing Unit, Square Layout, 12/24VDC, Air Cooled only
CU-84	\$1,115.00	80 Series Condensing Unit, Horizontal Layout, 12/24VDC, Air Cooled only
CU-85	\$1,115.00	80 Series Condensing Unit, Square Layout, 12/24VDC, Air Cooled only
CU-86	\$1,115.00	80 Series Condensing Unit, Vertical or Wall Mount Layout, 12/24VDC, Air Cooled only



### Evaporators

Item No.	List Price (USD)	Description
<b>ColdMachine™ and SuperColdMachine™ (to be used with the CU-100 &amp; CU-200 ONLY)</b>		
755500000	\$630.00	VD-150, Small Vertical Evaporator, Without Door, Self-Seal QC
755510000	\$630.00	VD-151, Small Horizontal Evaporator, With Door, Self-Seal QC
755520000	\$730.00	VD-152, Large Vertical Evaporator, Without Door, Self-Seal QC
755530000	\$730.00	VD-153, Large Horizontal Evaporator, With Door, Self-Seal QC
755560000	\$1,880.00	VD-160, Power Plate Evaporator, With Analog Thermostat, Self-Seal QC



### 50 Series (to be used with the 50 Series ONLY)

VD-01	\$240.00	L-Shaped Evap, Horizontal and Vertical Installation
VD-02	\$235.00	Plate Evap, Horizontal and Vertical Installation
VD-07	\$245.00	Standard O-Shaped Evap, Horizontal and Vertical Installation

### 80 Series (to be used with the 80 Series ONLY)

VD-04	\$255.00	Plate Evap, Horizontal and Vertical Installation, 3.9"D x 14.8"W x 10"H
VD-05	\$255.00	Plate Evap, Horizontal and Vertical Installation, 1"D x 14.8"W x 13.7" H
VD-18	\$250.00	Plate Evap, Rear Wall Installation
VD-08	\$395.00	Angle Evap, For Refrigerator or Freezer up to 2.5 cu.ft.
VD-09	\$340.00	Large-Sized Evap, Horizontal and Vertical Installation
VD-15	\$510.00	High-Performance Forced Air Evap.**

#### Notes:

1. The VD-15 is suited for large cooling volumes and high ambient temperatures.
2. Comes with white plastic housing with brushless fan.

# REFRIGERATION

## Adler Barbour DIY Refrigeration

<b>Kits</b>		
<b>Item No.</b>	<b>List Price (USD)</b>	<b>Description</b>
CS-NC-15	\$1,035.00	Compact Compressor Cooling Kit
C8075	\$190.00	Booster Blow Duct Kit for CU-100
C8071	\$315.00	Booster Blow Duct Kit for CU-200
C8079	\$190.00	Vent Duct Kit for CU-100
C8070	\$190.00	Vent Duct Kit for CU-200
C8350	\$735.00	Cool Water Kit with 12V Pump for CU-200
<b>Accessories</b>		
3123920	\$50.00	Coupling, QC, 3/8" Male, Size 4
3123930	\$50.00	Coupling, QC, 1/4" Female, Size 4
755570000	\$210.00	Adapter - One Shot for new QCs*
4030002	\$290.00	Z5006 Electronic Module, Standard
4030003	\$480.00	Z5007 Electronic Module, Hard Start
4030004	\$285.00	Electronic Module RFI
758000005	\$815.00	AB3017, Electronic Module, 4 Pin, 12V Controller
C7210	\$355.00	Automatic Spill-Over Fan Kit, Analog
E1134	\$105.00	Mounting Bracket for CU-100 and CU-200
F1701	\$80.00	Verticube Ice tray w/ Polygrid Inserts
8141430	\$8.49	Z3301 Ice Tray - Horizontal
8141431	\$6.43	Z3302 Polygrid for Verticube
4060202	\$30.00	D8072 Thermostat Spill-Over, Yellow Dot
4060203	\$30.00	E1391 Thermostat Powerplate/Freezer, White Dot
4060204	\$36.00	Z3202 Thermostat Refrigerator, Blue Dot
4030592	\$70.00	Z3281 Fan 12VDC, Condenser (CU-100 and CU-200)
336567	\$37.00	Z5020 Fan 12VDC, Mini, Spillover
C1502JR1500	\$160.00	Thermostat Asm Analog, with 1500 Ohm Resistor (All VD's Freezer)
F1710JR270	\$150.00	T-stat Small Evap Asm Analog, with 270 Ohm Resistor (VD-150 and VD-151)
F1710JR680	\$140.00	Thermostat Large Evap Analog, w/680 Ohm Resistor (VD-152 and VD-153)
Z4071FJR1500	\$440.00	Digital T-Stat for VD-160 & 0^ plate
Z4071R	\$400.00	Digital T-Stat for Refrigerator
Z4071F	\$400.00	Digital T-Stat for Freezer
4030011	\$145.00	F1886 PCB Stuffed (CU-100 and CU-200)
F1884	\$490.00	Replacement PCB Stuffed and Danfoss Module
3011005	\$570.00	Compressor 12/24 Danfoss BD50F
3309095.002	\$280.00	Module, Danfoss for above compressor
*Note: If buying a new evaporator with new QCs to use with an older condensing unit, you must purchase One-Shot Adapter		

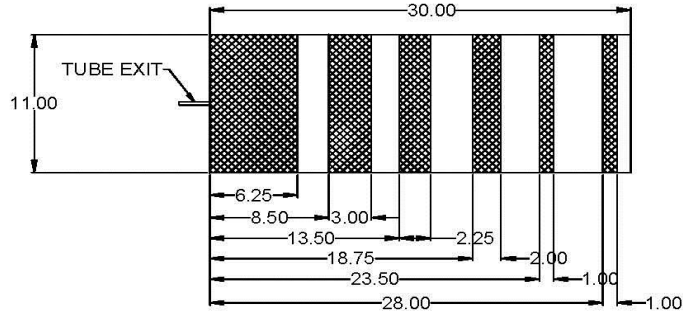
# REFRIGERATION

## Adler Barbour DIY Refrigeration

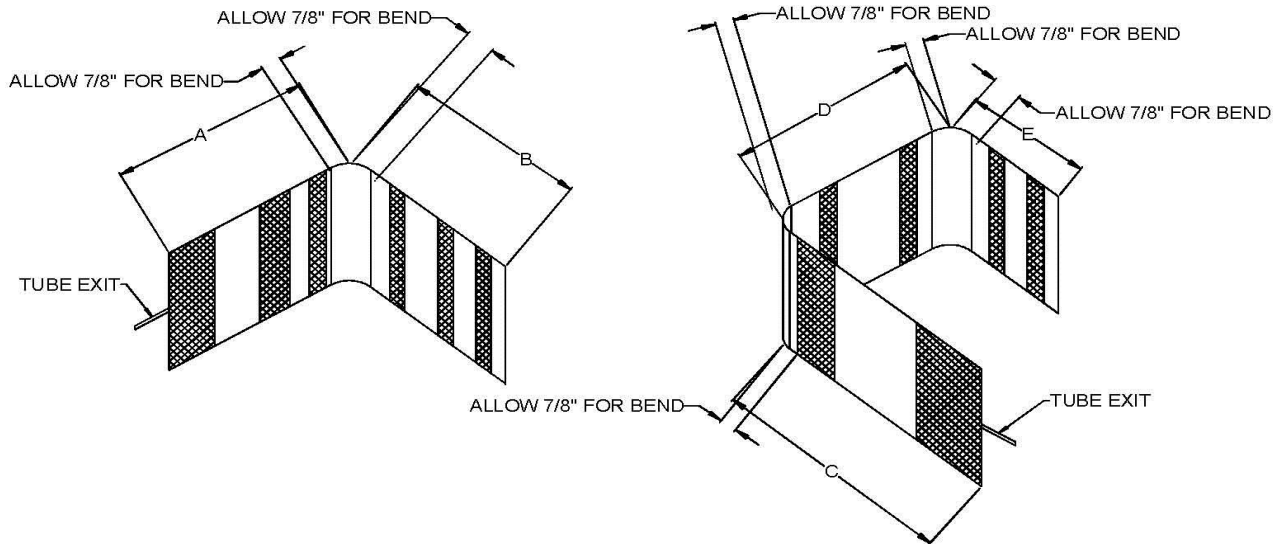
PROPRIETARY NOTE: THE INFORMATION CONTAINED WITHIN THIS DOCUMENT IS THE PROPERTY OF DOMETIC CORPORATION. ANY ATTEMPT TO COPY OR DISTRIBUTE WITHOUT WRITTEN CONSENT FROM DOMETIC CORPORATION SHALL BE CONSIDERED UNLAWFUL AND CAN BE CONTESTED IN A COURT OF LAW.

REV	DATE	REVISION DESCRIPTION	DWG	APR
A	9/16/11	REV BASE EVAP P/N, ADDED LINE LENGTH SPEC, CAD928-11	DRR	DA
B	11/1/11	REVISED LINE LENGTH FROM IN TO FT, CAD1053-11	DRR	DA
C	4/9/12	REVISED A+B & C+D+E DIMS, CAD208-12	DRR	BJL
D	1/22/14	REPLACED DWG 8101308 WITH THIS DWG, CAD045-14	DRR	BJL

BASE EVAP: 8101308  
30 LONG X 11 HIGH



▨ HATCH AREAS = "NO BEND ZONES"



TYPICAL "L" SHAPED EVAP

A \_\_\_\_\_ +/- 3/8"

B \_\_\_\_\_ +/- 5/8"

A + B = 30.38"

LINE LENGTH FROM PLATE TO QD. (SPECIFY ONE)

7.50 FT

15.0 FT

TYPICAL "U" SHAPED EVAP

C \_\_\_\_\_ +/- 3/8"

D \_\_\_\_\_ +/- 3/8"

E \_\_\_\_\_ +/- 5/8"

C + D + E = 28.75"

TUBE EXIT \_\_\_\_\_ (TOP/BOTTOM)

ENTER "A" & "B" FOR L OR ENTER "C", "D", & "E" FOR U-SHAPED EVAPORATOR

SPECIFY TOP OR BOTTOM TUBE EXIT AND TUBE LENGTH

IF BENDS NEED TO BE IN A NO BEND ZONE  
CONSULT FACTORY FIRST

Dometic Corporation		CUSTOM EVAPORATOR WORK SHEET VD-150 PLATE	
DATE: 6/15/11	DWG BY: DRR	PART NUMBER: N/A	DWG G6020026
SCALE: NTS	APR BY: BJL		REV D

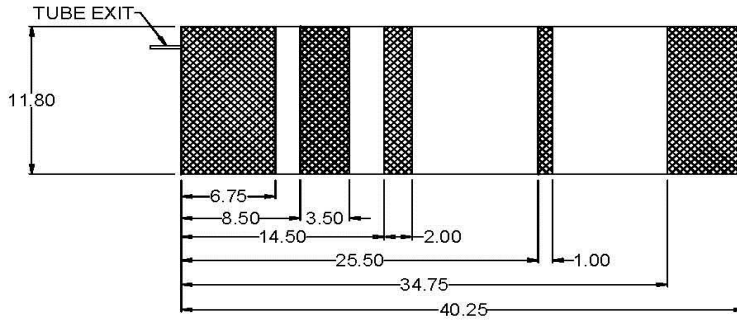
# REFRIGERATION

## Adler Barbour DIY Refrigeration

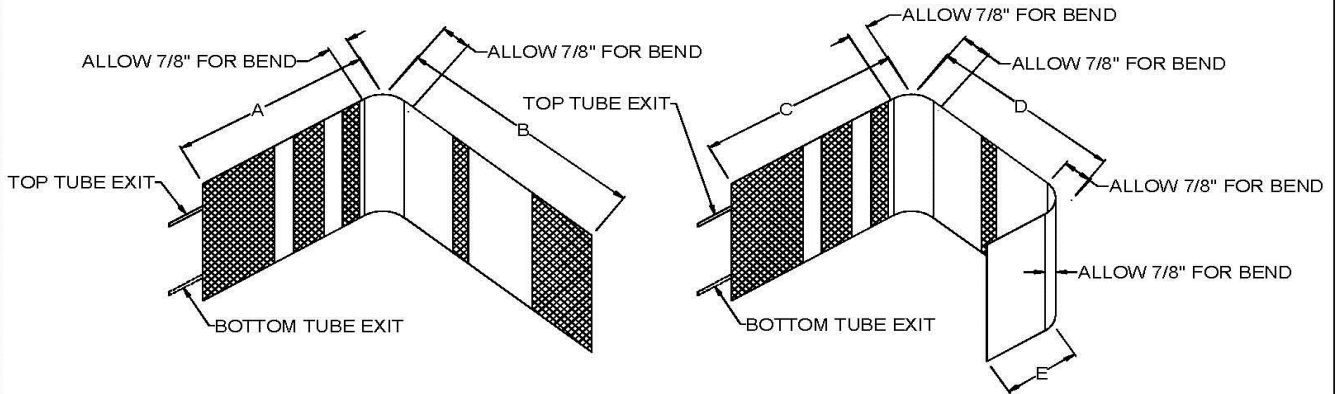
PROPRIETARY NOTE: THE INFORMATION CONTAINED WITHIN THIS DOCUMENT IS THE PROPERTY OF DOMETIC CORPORATION. ANY ATTEMPT TO COPY OR DISTRIBUTE WITHOUT WRITTEN CONSENT FROM DOMETIC CORPORATION SHALL BE CONSIDERED UNLAWFUL AND CAN BE CONTESTED IN A COURT OF LAW.

REV	DATE	REVISION DESCRIPTION	DWG	APR
A	9/16/11	REV BASE EVAP P/N, ADDED LINE LENGTH SPEC, CAD929-11	DRR	DA
B	11/1/11	REVISED LINE LENGTH FROM IN TO FT, CAD1053-11	DRR	DA
C	1/22/14	REPLACED DWG 8101307 WITH THIS DWG, CAD044-14	DRR	BJL

BASE EVAP: 8101307  
40.25 LONG X 11.80 HIGH



▨ HATCH AREAS = "NO BEND ZONES"



TYPICAL "L" SHAPED EVAP

A \_\_\_\_\_ +/- 3/8"

B \_\_\_\_\_ +/- 5/8"

A + B = 40.62"

LINE LENGTH FROM PLATE TO QD. (SPECIFY ONE)

7.50 FT

15.0 FT

TYPICAL "U" SHAPED EVAP

C \_\_\_\_\_ +/- 3/8"

D \_\_\_\_\_ +/- 3/8"

E \_\_\_\_\_ +/- 5/8"

C + D + E = 41"

TUBE EXIT \_\_\_\_\_ (TOP/BOTTOM)

ENTER "A" & "B" FOR L OR ENTER "C", "D", & "E" FOR U-SHAPED EVAPORATOR

SPECIFY TOP OR BOTTOM TUBE EXIT AND TUBE LENGTH

IF BENDS NEED TO BE IN A NO BEND ZONE  
CONSULT FACTORY FIRST

Dometic Corporation			
CUSTOM EVAPORATOR WORK SHEET			
VD-152 PLATE			
DATE: 6/15/11	DWG BY: DRR	PART NUMBER: G6020027	REV C
SCALE: NTS	APR BY: BJL	N/A	



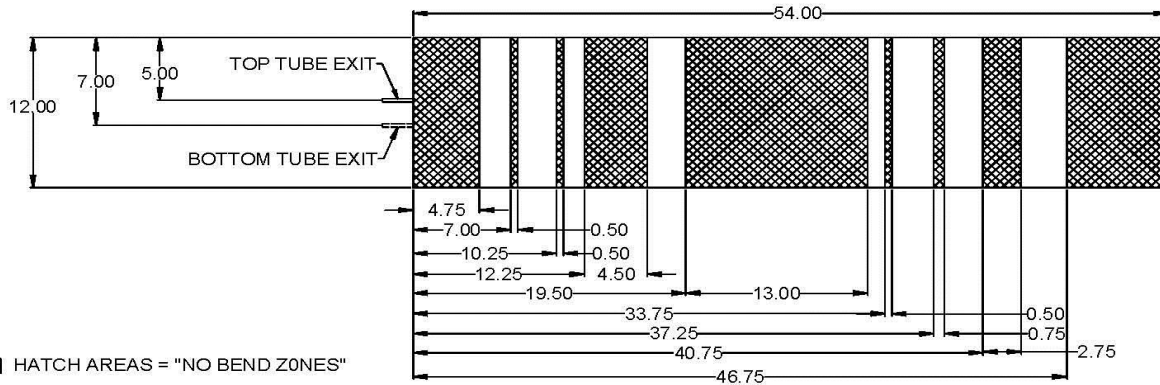
# REFRIGERATION

## Adler Barbour DIY Refrigeration

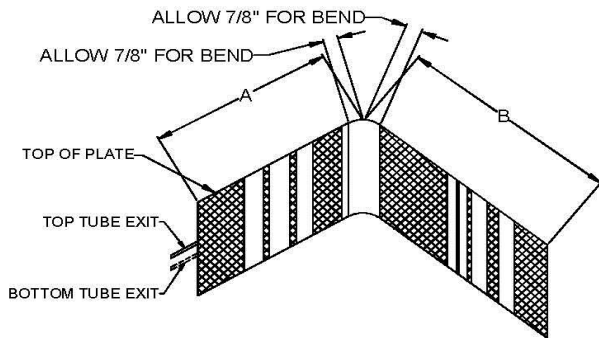
PROPRIETARY NOTE: THE INFORMATION CONTAINED WITHIN THIS DOCUMENT IS THE PROPERTY OF DOMETIC CORPORATION. ANY ATTEMPT TO COPY OR DISTRIBUTE WITHOUT WRITTEN CONSENT FROM DOMETIC CORPORATION SHALL BE CONSIDERED UNLAWFUL AND CAN BE CONTESTED IN A COURT OF LAW.

REV	DATE	REVISION DESCRIPTION	DWG	APR
A	9/16/11	REV BASE EVAP P/N, ADDED LINE LENGTH SPEC, CAD930-11	DRR	DA
B	11/1/11	REVISED LINE LENGTH FROM IN. TO FT., CAD1053-11	DRR	DA
C	2/24/12	REVISED LINE LENGTH TO 15', CAD118-12	DRR	DA
D	4/9/12	REVISED A+B & C+D+E DIMS, CAD208-12	DRR	BJL
E	1/10/14	REVISED TUBE EXIT DIMENSIONS, CAD009-14	DRR	BJL
F	1/22/14	REPLACED DWG 8101305 WITH THIS DWG, CAD043-14	DRR	BJL

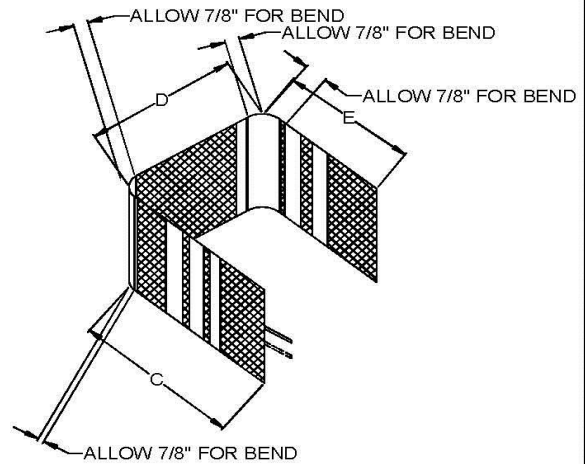
BASE EVAP: 8101305  
54 LONG X 12 HIGH



■ HATCH AREAS = "NO BEND ZONES"



TOP TUBE EXIT = 5" FROM TOP OF PLATE  
BOTTOM TUBE EXIT = 7" FROM TOP OF PLATE



TYPICAL "L" SHAPED EVAP

A \_\_\_\_\_ +/- 3/8"

B \_\_\_\_\_ +/- 5/8"

A + B = 54.38"

LINE LENGTH FROM PLATE TO

QD. = 15FT

TYPICAL "U" SHAPED EVAP

C \_\_\_\_\_ +/- 3/8"

D \_\_\_\_\_ +/- 3/8"

E \_\_\_\_\_ +/- 5/8"

C + D + E = 54.75"

TUBE EXIT \_\_\_\_\_ (TOP/BOTTOM)

ENTER "A" & "B" FOR L OR ENTER "C", "D", & "E" FOR U-SHAPED EVAPORATOR

SPECIFY TOP OR BOTTOM TUBE EXIT.

IF BENDS NEED TO BE IN  
A NO BEND ZONE  
CONSULT FACTORY FIRST

Dometic Corporation

CUSTOM EVAPORATOR WORK SHEET  
VD-154 PLATE

DATE: 7/13/11

DWG BY: DRR

PART NUMBER:

G6020028

REV F

SCALE: NTS


APR BY: BJL

N/A



# REFRIGERATION

## Eskimo Ice Makers, Accessories and Replacement Parts

<b>Eskimo Ice Units with Digital Controls</b>			
<u>Item</u>	<u>List Price (USD)</u>	<u>Model</u>	<u>Description</u>
<b>EI1000D UNITS</b>			
25200047	\$19,580.00	EI1000D-230-OP 0'	230V no pump/ no hose/ins
252000551	\$19,900.00	EI1000D-230-OP 15'	230V no pump w/15' hose/ins
252000553	\$20,625.00	EI1000D-230-WP 35'	230V pump w/35' hose/ins
<b>EI540D UNITS</b>			
252000540	\$13,305.00	EI540D-115-OP 15'	115V no pump w/15' hose/ins
252000541	\$13,305.00	EI540D-230-OP 15'	230V no pump w/15' hose/ins
252000542	\$13,660.00	EI540D-115-WP 15'	115V pump w/15' hose/ins
252000543	\$13,660.00	EI540D-230-WP 15'	230V pump w/15' hose/ins
252000544	\$13,435.00	EI540D-115-OP 35'	115V no pump w/35' hose/ins
252000545	\$13,435.00	EI540D-230-OP 35'	230V no pump w/35' hose/ins
252000546	\$13,795.00	EI540D-115-WP 35'	115V pump w/35' hose/ins
252000547	\$13,795.00	EI540D-230-WP 35'	230V pump w/35' hose/ins
252000548	\$13,210.00	EI540D-115-OP 0'	115V no pump/ no hose/ins
252000549	\$13,210.00	EI540D-230-OP 0'	230V no pump/ no hose/ins



<b>EI1000D</b>	<b>EI540D</b>
	

<b>Eskimo Ice Replacement Parts</b>		
<u>Item</u>	<u>List Price (USD)</u>	<u>Description</u>
4037069	\$14.00	Overload EI540 115V AKA9438ZXA
4037072	\$14.00	Overload EI540 230V AKA9438ZXD
336581	\$125.00	Relay Start EI1000 230V K71-16
4040060	\$65.00	Relay Start UMSR50 EI540 Gear Motor 115V
4037066	\$210.00	Relay Start EI540 Gear Motor 230
4037070	Call For Pricing	Cap, Start 72-88MFD/330V EI540
252000142	\$2,395.00	Replacement EI540D-115V Motor/Gear Box
252000140	\$2,835.00	Replacement EI540D-230V Motor/Gear Box
252000119	\$315.00	Replacement Water Reservoir w/digital Float
252000136	\$265.00	Sensor Photo Diffuser EI540/EI1000 w/3POS Terminal Block Relay
226000055	\$13.00	Hose 0.75" Clear PVC Reinforced
226000056	\$5.25	Tube, Insulated 1.125ID x 0.75W

<b>Controls Digital</b>		
<u>Item No.</u>	<u>List Price (USD)</u>	<u>Description</u>
752000301	\$1,210.00	EIR600D 115/230 Complete Control Box
252000120	\$175.00	Display, Digital
4021100	\$6.30	Switch, Rocker Reset Button
4021102	\$7.35	Cover, Rocker Switch Reset Button
4160077	\$320.00	Harness, EIR600D 6' Condensor-Cntrl Box

<b>Circuit Boards for EI250D, EI540D and EI600D</b>		
<u>Item No.</u>	<u>List Price (USD)</u>	<u>Description</u>
252000130	\$645.00	Circuit Board EI250D 115V/220V
252000131	\$675.00	Circuit Board EI540D 115V/230V
252000133	\$675.00	Circuit Board EI540D 220V 50Hz
252000134	\$675.00	Circuit Board EI600D 115V/230V
252000147	\$675.00	Circuit Board EI1000D 230/50-60

# REFRIGERATION

## Eskimo Ice Makers, Accessories and Replacement Parts

<b>Replacement Parts for 600 Series Units</b>		
<u>Item No.</u>	<u>List Price (USD)</u>	<u>Description</u>
<b>SELF CONTAINED &amp; REMOTE DIGITAL SYSTEMS</b>		
4050004	\$19.00	Spout Switch
3080032	\$105.00	Constant Pressure Valve
<b>SELF CONTAINED SYSTEMS</b>		
252000107	\$60.00	Repl Y-Strainer w/fittings - Digital and Mechanical
252000118	\$2,010.00	Retrofit Kit to Upgrade to Digital
252000200	\$90.00	Ice Thru Hull - Straight
252000201	\$495.00	Condensate Pan - painted
252000202	\$140.00	Ice Thru Hull - 90 degree
226000052	\$7.53	1.25" Clear Vinyl Hose - Per Foot
226000053	\$5.25	1.625" white insulation for hose Per Foot 1/2" wall
298001414	\$990.00	Condenser Coil - Painted, EI600D
333360	\$18.00	Auger Motor Run Cap Fits 115 volt and 230 volt
4037000	\$85.00	Top Upper Bearing
4037001	\$70.00	Bottom Lower Bearing
4037003	\$33.00	Spout gasket
4037005	\$4,110.00	Auger (Blade only - Stainless Steel)
4037006	\$5,620.00	Gear Box, EI600
4037012	\$160.00	Coupling, EI600 Digital and Mechanical
4037013	\$470.00	Water Seal (2 parts) Digital and Mechanical
4037020	\$19.00	Auger motor bearing Digital and Mechanical
4037028	\$5.36	Woodruff Key Digital and Mechanical
3150309	\$275.00	Water Filter Assembly
3150310	\$230.00	Replacement Filter (2 per pack)
252000104	\$175.00	Repl Water Reservoir w/90° Elbow EI600 Digital and Mechanical
<b>REMOTE SYSTEMS</b>		
<b>Auger Units</b>		
4030200	\$2,685.00	Auger Motor - 115V Digital and Mechanical
4030201	\$2,790.00	Auger Motor - 230V Digital and Mechanical
4020010	\$44.00	Switch, float single stage vertical mount
0440193	\$2.08	Nut, poly 1/8" hex for float switch
752000010	\$280.00	Photo Electric Eye Digital
<b>Condensing Units EI600</b>		
252000126	\$1,590.00	EI600 Compressor - painted, 230V
252000128	\$2,275.00	Replaces 297600697 (not a direct drop in) EI600D Compressor - painted, 115V
4024212	\$45.00	EI600 Low Pressure Switch
4024302	\$28.00	EI600 High Pressure Switch
4040019	\$75.00	EI600 Start Relay, 230V
4040023	\$60.00	EI600 Start Capacitor, 230V
4040024	\$40.00	EI600 Start Relay, 115V
4040025	\$39.00	EI600 Start Capacitor, 115V
4040115	\$16.00	EIR600 Run Capacitor, 115V
4043102	\$48.00	EI600 Overload, 230V
<b>SELF CONTAINED MECHANICAL SYSTEMS WITH CAPTUBE</b>		
<u>Item No.</u>	<u>List Price (USD)</u>	<u>Description</u>
4020003	\$185.00	Spout Switch Button 15A 12/250V
4020004	\$75.00	Water Pressure Switch
4020005	\$15.00	Water Pressure Switch Cover - Red Vinyl
4062305	\$80.00	Sensor for Temp Control (ETC) 10'
259200301	\$345.00	Temp Control Assembly
225500226	\$380.00	Raw water Pump
225500227	\$400.00	Raw water Pump

# GALLEY PRODUCTS

## Refrigerators and Freezers

### ESKIMO CUP COOLER \*\*\* **NEW FOR 2015**

Item	List Price (USD)	Model
250140101	\$199.00	Eskimo Cup Cooler 12VDC w/SS Trim Ring



### CR DOOR Refrigerator/Freezers

Item	List Price (USD)	Model	DESCRIPTION
<b>STAINLESS STEEL DOORS</b> FULL STAINLESS WRAPPED DOORS W/O MOUNT FLANGES (see below for desired mount flange)			
74822.307.00	\$1,130.00	CR-1050S 1.7CF AC/DC SS	50 liter SS
74822.307.20	\$1,205.00	CR-1065S 2.3CF AC/DC SS	65 liter SS
74822.307.40	\$1,410.00	CR-1080S 2.8CF AC/DC SS	80 liter SS
74822.307.60	\$1,540.00	CR-1110S 3.8CF AC/DC SS	110 liter SS
74822.307.100	\$1,655.00	CR-1140S 4.8CF AC/DC SS	140 liter SS
<b>BLACK DOOR PANEL</b> (U) AND BLACK SURROUND WITH EITHER BLACK (F) FLUSH MOUNT OR BLACK (S) SPACE SAVER FRAMES			
74802.010.00	\$1,060.00	CR-1050U/F 1.7CF AC/DC	50 liter black flush
74802.030.00	\$1,030.00	CR-1050U/S 1.7CF AC/DC	50 liter black space
74802.010.20	\$1,105.00	CR-1065U/F 2.3CF AC/DC	65 liter black flush
74802.010.40	\$1,275.00	CR-1080U/F 2.8CF AC/DC	80 liter black flush
74802.010.60	\$1,390.00	CR-1110U/F 3.8CF AC/DC	110 liter black flush
<b>SILVER DOOR PANEL</b> (S) AND SILVER SURROUND WITH EITHER SILVER (F) FLUSH MOUNT OR SILVER (S) SPACE SAVER FRAMES			
74802.145.00	\$1,095.00	CR-1050E/F-S 1.7CF AC/DC	50 liter silver flush
74802.165.00	\$1,200.00	CR-1050E/S-S 1.7CF AC/DC	50 liter silver space
74802.145.20	\$1,130.00	CR-1065E/F-S 2.3CF AC/DC	65 liter silver flush
74802.145.40	\$1,320.00	CR-1080E/F-S 2.8CF AC/DC	80 liter silver flush
74802.145.60	\$1,430.00	CR-1110E/F-S 3.8CF AC/DC	110 liter silver flush
<b>CHROME PLASTIC DOOR</b> (CR) WITH SILVER SURROUND WITH SILVER (F) FLUSH MOUNT FRAMES			
CR-1140ST-D65-A	\$1,475.00	CR-1140 AC/DC REFRIGERATOR	140 liter chrome
<b>WHITE DOOR PANEL</b> AND SILVER SURROUND AND SILVER (F) FLUSH MOUNT FLANGES (designed for cockpit locations)			
74802.144.00	\$1,095.00	CR-1050E/F-W 1.7CF AC/DC	50 liter white
74802.144.20	\$1,135.00	CR-1065E/F-W 2.3CF AC/DC	60 liter white



**New CRX Models coming 2nd Quarter 2016.  
Call for part number and pricing**



# GALLEY PRODUCTS


## Refrigerators and Freezers

<b>CRD Drawer Refrigerators/Freezers</b>			
<u>Item</u>	<u>List Price (USD)</u>	<u>Model</u>	<u>Description</u>
<b>STAINLESS STEEL DRAWER (SS)</b> FULL STAINLESS WRAPPED PULL OUT DRAWER, W/O MOUNT FLANGE (see below for desired mount flange)			
74922.307.00	\$1,490.00	CRD-1050S 1.7CF AC/DC SS DRAWER	50 liter SS
<b>BLACK DOOR PANEL DRAWER (U)</b> W/O MOUNT FLANGE (see below for desired mount flange)			
74922.000.00	\$1,315.00	CRD-1050U 1.7CF AC/DC DRAWER	50 liter black
<b>SILVER DOOR PANEL DRAWER (E)</b> W/O MOUNT FLANGE (see below for desired mount flange)			
74922.101.00	\$1,340.00	CRD-1050E 1.7CF AC/DC DRAWER	50 liter silver



### **CR/CRD MOUNT FLANGES FOR STAINLESS STEEL, BLACK AND SILVER DOOR REFRIGERATORS/FREEZERS**

<b>FLUSH MOUNT</b>			
EFM-0050S	\$115.00	FRAME, CR50 FM SS	FLUSH MOUNT
EFM-0065S	\$110.00	FRAME, CR65 FM SS	FLUSH MOUNT
EFM-0080S	\$140.00	FRAME, CR80 FM SS	FLUSH MOUNT
EFM-0110S	\$140.00	FRAME, CR110 FM SS	FLUSH MOUNT
EFM-0140S	\$140.00	FRAME, CR140 FM SS	FLUSH MOUNT
EFM-0050U	\$90.00	FRAME, CR050 FM BLACK	FLUSH MOUNT
EFM-0065U	\$90.00	FRAME, CR065 FM BLACK	FLUSH MOUNT
EFM-0080U	\$100.00	FRAME, CR080 FM BLACK	FLUSH MOUNT
EFM-0110U	\$110.00	FRAME, CR110 FM BLACK	FLUSH MOUNT
EFM-0050E	\$85.00	FRAME, CR050 FM SILVER	FLUSH MOUNT
EFM-0065E	\$90.00	FRAME, CR050 FM SILVER	FLUSH MOUNT
EFM-0110E	\$110.00	FRAME, CR050 FM SILVER	FLUSH MOUNT
<b>SPACE SAVER</b>			
EST-0050S	\$110.00	FRAME, CR50 ST SS	SPACE SAVER
EST-0065S	\$115.00	FRAME, CR65 ST SS	SPACE SAVER
EST-0080S	\$135.00	FRAME, CR80 ST SS	SPACE SAVER
EST-0110S	\$135.00	FRAME, CR110 ST SS	SPACE SAVER
EST-0140S	\$135.00	FRAME, CR140 ST SS	SPACE SAVER
EST-0050U	\$80.00	FRAME, CR050 ST BLACK	SPACE SAVER
EST-0065U	\$80.00	FRAME, CR065 ST BLACK	SPACE SAVER
EST-0080U	\$90.00	FRAME, CR080 ST BLACK	SPACE SAVER
EST-0110U	\$100.00	FRAME, CR110 ST BLACK	SPACE SAVER
EST-0050E	\$80.00	FRAME, CR050 ST SILVER	SPACE SAVER
EST-0065E	\$85.00	FRAME, CR065 ST SILVER	SPACE SAVER
EST-0080E	\$90.00	FRAME, CR080 ST SILVER	SPACE SAVER
EST-0110E	\$100.00	FRAME, CR110 ST SILVER	SPACE SAVER

<b>CD DRAWER REFRIGERATORS</b>			
CD20-DCB-D65-B	\$780.00	CD-020 0.75CF 12V DC ONLY BLACK	
CD20-DCW-D65-B	\$780.00	CD-020 0.75CF 12V DC ONLY WHITE	
CD-030DC-D65A	\$800.00	CD-030 1.1CF 12/24VOLT DC ONLY BLACK	
CD-030DCW-D65A	\$805.00	CD-030 1.1CF 12/24VOLT DC ONLY WHITE	
<b>CD DRAWER MOUNT FLANGES</b>			
291606073	\$120.00	FRAME, CD030 DRAWER SS	FLUSH MOUNT
EST-0500	\$65.00	FRAME, CD030 DRAWER BLACK	FLUSH MOUNT
EST-0500W	\$65.00	FRAME, CD030 DRAWER WHITE	FLUSH MOUNT

# GALLEY PRODUCTS

## Refrigerators and Freezers

<b>CB BUILT-IN REFRIGERATORS/FREEZERS TOP LOAD</b>		
CB-036	\$1,080.00	CB-036 1.3CF 12/24VOLT DC ONLY
CB-036AC	\$1,430.00	CB-036 1.3CF AC/DC
CB-040	\$1,095.00	CB-040 1.4CF 12/2VOLT DC ONLY
CB-040AC	\$1,155.00	CB-040 1.4CF AC/DC



<b>CF PORTABLE REFRIGERATOR/FREEZER</b>		
<b>Item</b>	<b>List Price (USD)</b>	<b>Description</b>
CF-018-D65-B	\$545.00	CF-018DC 0.7CF 12/24V DC ONLY
CF-25DC-D65-B	\$645.00	CF-025DC 0.9CF 12/24V DC ONLY
CF-50-DC-D65-B	\$835.00	CF-050DC 1.7CF 12/24V DC ONLY
CF-035AC110	\$820.00	CF-035AC110 1.1CF AC/DC
CF-040AC110	\$895.00	CF-040AC110 1.3CF AC/DC
CF-050AC110	\$1,005.00	CF-050AC110 1.7CF AC/DC
CF-080AC110	\$1,185.00	CF-080AC110 2.8CF AC/DC
CF-110AC110	\$1,265.00	CF-110AC110 3.77CF AC/DC



<b>PORTABLE ICE MAKERS</b>			
HZB-15S	\$305.00	TOP LOAD 120V SS/BLK	33 LB. PER DAY
HZB-12SA	\$225.00	TOP LOAD 120V SS/BLK	26 LB. PER DAY
HZB-12A	\$225.00	TOP LOAD 120V BLACK	26 LB. PER DAY



<b>POWER SUPPLIES</b>		
MPS-35	\$100.00	AC Adapter, for "CR," "CB," & "CD" models
MPS-50	\$105.00	AC Adapter for "CF" models
SP-065PCBASE	\$6.68	Voltage Regulator for CR Series
37-T2-0530ED	\$6.43	DC Power Cord for CR Series
80-T2-2000A1	\$26.00	DC Cord, CF-18/80/110
80-T2-2000AG1	\$34.00	DC Cord, CF-25/35/40/50
38-UL-2000B6	\$24.00	AC Cord, CF-35/40/50/80/110
70-CB-06B32	\$1.04	Cord Clamp, All CR Series

<b>REPLACEMENT PARTS FOR REFRIGERATORS</b>		
<b>Module</b>		
4441000039	\$375.00	Module 101N0500 (AC/DC) CR & CF Units
4030002	\$290.00	Module 101N0210 (DC) CR & CF Units
Digital Temp Display AC/DC units use 4441000039		
Note: There was a change in CF displays in June 2009. Older units had an LED temperature display. Newer units have Digital temperature displays. Dataplates for Newer units will indicate whether the unit is a Version A or Version B.		
<b>Thermostat</b>		
13-00-KPF1E	\$37.00	Thermostat CR Series
4450001983	Call For Pricing	Thermistors for all CF
<b>Light</b>		
18-W3-122401B	\$31.00	LED Light CR Series
4441600017	\$26.00	Light Voltage Regulator with Bulb - old style CR Units and R Series
<b>Fan</b>		
11-01-D90BL12A	\$45.00	Fan CR-50-65
11-00-D12SM12	\$45.00	Fan, CF-80/110, CR-80/110
018FANASA	\$34.00	Fan Assembly, CF-25



# GALLEY PRODUCTS

## Refrigerators and Freezers

### REFRIGERATOR REPLACEMENT PARTS CONTINUED

Item	List Price (USD)	Description
<b>Gasket</b>		
42-065-065GS01	\$18.00	Gasket CR-50
42-090-090GS01	\$18.00	Gasket CR-65
42-091-091GS01	\$28.00	Gasket CR-80
42-092-092GS01	\$29.00	Gasket CR-110
<b>Water Pan</b>		
40-065-41PT6C7	\$8.57	Water Pan CR-50
40-090-11PT6C7	\$13.00	Water Pan CR-65
40-091-11PT6C7	\$13.00	Water Pan CR-80
<b>Door, Cover and Hinge Assemblies</b>		
SP022COVERAS1	\$60.00	Cover Assembly CF-18
SP065FREDOORASA	\$21.00	Freezer Door Assembly CR-50
SP090FREDOORASA	\$25.00	Freezer Door Assembly CR-65
SD065COMDOORASA	\$310.00	Door Assembly, Black on Black CR-50
SD090COMDOORASA	\$340.00	Door Assembly, Black CR-65
SD090COMDOORASB	\$285.00	Door Assembly, Silver CR-65
SD091COMDOORASA	\$320.00	Door Assembly, Black CR-80
SD092COMDOORASA	\$335.00	Door Assembly, Black CR-110
46-065-08BX	\$27.00	Hinge for CR Series
SP028HINGEASA	\$29.00	Hinge Assembly, CF-80/110
<b>Inner Layer for CR-65 &amp; 80</b>		
40-090-08PT6C7	\$16.00	Inner Layer for Fridge CR-65
40-091-08PT6C7	\$16.00	Inner Layer for Fridge CR-80
<b>Mounting Kit</b>		
UFK-C	\$80.00	Mounting Kit for CF-25, 35, 40, 50
<b>Light, Latch, Handle &amp; Lid Assemblies</b>		
81-01-980LGT	\$15.00	Light Assembly, CF-25/50DC
81-01-026LGT	\$15.00	DC Light Assembly, CF-35DC
81-01-026LGT1	\$16.00	AC/DC Light Assembly, CF35/40
81-01-028LGT	\$15.00	Light Assembly, CF-50/80/110
SP026LOCKINGASA	\$25.00	Latch Assembly, CF-35/40
SP028LOCKASA	\$16.00	Latch Assembly, CF-80/110
SP026LIDASC	\$60.00	Lid Assembly, CF-35/40
SP005COVERASC	\$170.00	Lid Assembly, CF-50
SP028COVERD65A	\$125.00	Lid Assembly, CF-80/110
SP005HANDLEASA	\$55.00	Handle Assembly, CF-50
SP028HANDLEASA	\$49.00	Handle Assembly, CF-80/110
<b>Basket for CF Series</b>		
46-026-05TSW	\$31.00	Basket, CF-35
46-026-04TSW	\$31.00	Basket, CF-40
46-005-04TSW01	\$28.00	Basket, CF-50
46-028-32TSW	\$23.00	Basket, CF-80
46-028-28TSW	\$65.00	Basket, CF-110
<b>Protective Covers</b>		
IC-CF-18	\$70.00	Cover for CF-018
IC-CF-25	\$55.00	Cover for CF-025
IC-CF-35	\$65.00	Cover for CF-035
IC-CF-40	\$70.00	Cover for CF-040
IC-CF-50	\$75.00	Cover for CF-050
IC-CF-80	\$115.00	Cover for CF-080
IC-CF-110	\$120.00	Cover for CF-110



# **GALLEY PRODUCTS**


## **Refrigerators and Freezers**

<b>Refrigerator Replacement Parts For R Series</b>		
<u>Item</u>	<u>List Price (USD)</u>	<u>Description</u>
<b><u>RPD SERIES</u></b>		
4441100007	\$43.00	Thermostat for RPD-50/65/80/110
4441100019	\$22.00	Thermostat, RSD-115
4441100034	\$31.00	Thermostat, RSF-115
120340/0	\$70.00	Evaporator Flap for RPD-110
4443000090	\$13.00	Evaporator Frame for RPD-110
4443000089	\$37.00	Drip Bowl for RPD-110
EST-0100	\$75.00	Standard Flange, RPD-50
EST-0200	\$70.00	Standard Flange, RPD-65, RSA-60, RPF-50
EST-0300	\$85.00	Standard Flange, RPD-80, RSA-80
EST-0400	\$85.00	Standard Flange, RPD/RSA-110, RSD/RSF-115
EFM-0100	\$165.00	Flush Mount Frame, RPD-50
EFM-0200	\$130.00	Flush Mount Frame, RPD-65, RSA-60, RPF-50
EFM-0300	\$180.00	Flush Mount Frame, RPD-80, RSA-80
EFM-0400	\$135.00	Flush Mount Frame, RPD/RSA-110, RSD/RSF-115



# GALLEY PRODUCTS

## Origo Cooktops and Ovens

<b>Origo Galley Products</b>		
<u>Item Number</u>	<u>List Price (USD)</u>	<u>Description</u>
<b>Alcohol Stoves</b>		
9581401-99	\$310.00	US/C A-Stove 1500
9581409-99	\$440.00	US/C A-Stove 2000 CB
9581405-99	\$435.00	US/C A-Stove 3000 - free standing
9581415-99	\$535.00	US/C A-Stove 4100 CB
958147001	\$505.00	A100 GL Single burner alcohol with glass lid
<b>Ovens</b>		
9581450-99	\$2,060.00	US/C Oven 6000
		
<b>Accessories</b>		
9581442-99	\$235.00	US/C Heat Pal 5100
9581482-01	\$120.00	Gimbal 3002
9581480-01	\$60.00	Potholder 3001 fits models 1500,3000 & 6000
9581481-01	\$70.00	Potholder 4001 fits models 4000, 4100, 2500E & 4300E
3880009-80	\$100.00	Fuel container Complete for all stoves except 5100 Heat Pal
3880009-81	\$155.00	Fuel container 5100
3880028-80	\$37.00	Knob + Label for 1500/3000/6000
3880036-00	\$17.00	Rubber gasket
3880068-01	\$160.00	Cutting board 4100
3880082-70	\$300.00	Cutting board 4300 complete
3880154-00	\$115.00	Cutting board 2000
3880158-70	\$240.00	Cutting board 2500E complete
3880159-80	\$33.00	Grid for 2000
3880162-00	\$28.00	Flame spreader
3880183-11	\$255.00	Burner element 230V with support 2500E/4300E
3880238-25	\$26.00	Front decal 6000
3880253-82	\$315.00	Glass lid black 4100/4300
3880253-83	\$275.00	Glass lid black 2000/2500
3880271-81	\$42.00	Slide control al. Complete
3886023-25	\$7.21	Bumper SJ 5018 PC Board Spacer
3886023-30	\$7.21	Bumper SJ 5027 PC Board Spacer
3886193-21	\$140.00	Hi light Ego 230/1200
3886158-01	\$45.00	Thermometer for 6000 oven
3880183-10	\$255.00	Burner element 120 volt, 2500E/4300E
3880165-79	\$425.00	PC Board 4300E Key Model 115V
3880165-80	\$415.00	PC Board 4300E Key Model 220V



HEAT PAL 5100

# BATTERY CHARGERS

## Sentry Series Chargers

### Sentry FR Series Battery Chargers

Item Number	List Price (USD)	Description
<b>12 Volt Chargers</b>		
708010000	\$2,335.00	FR1220/3B, 12V, 20A x3 Outputs, 115V 60Hz Input
708010001	\$2,370.00	FR1240/3X, 12V, 40A x3 Outputs, 115/230V 60Hz Input
708010003	\$3,015.00	FR1240/3XJ, 12V, 40A x3 Outputs, 115/230V50/60Hz Input
708010005	\$2,520.00	FR1260/4X, 12V, 60A x4 Outputs, 115/230V 60Hz Input
708010004	\$2,420.00	FR1260/3X, 12V, 60A x3 Outputs, 115/230V 60Hz Input
708010007	\$2,410.00	FR1260A/3X, 12V, 60A x3 Outputs, 115/230V 60Hz Input
<b>24 Volt Chargers</b>		
708010008	\$2,420.00	FR2425/3X, 24V, 25A x3 Outputs, 115/230V 60Hz Input
708010010	\$2,455.00	FR2440/3X, 24V, 40A x3 Outputs, 115/230V 60Hz Input
708010011	\$3,055.00	FR2440/3XJ, 24V, 40A x3 Outputs, 115/230V 50/60Hz Input
708010012	\$3,060.00	FR2460/3XJ, 24V, 60A x3 Outputs, 115/230V 50/60Hz Input
<b>36 Volt Chargers</b>		
708010014	\$2,690.00	FR3230/3X, 32V, 30A x3 Outputs, 115/230V 60Hz Input



\* The "A" designates cut-in and cut-out voltage are set for calcium batteries.

Chargers with suffix "X" are dual voltage, which is selected by a rocker switch.

Chargers with the suffix "J" are dual frequency, which is selected by a slide switch.

### Sentry Replacement Parts

Item Number	List Price (USD)	Description
701800016	\$270.00	FR12NX, Control Circuit 12VDC
701800012	\$270.00	FR24NX, Control Circuit 24VDC
701800014	\$295.00	FR32NX, Control Circuit 32VDC
4023200	\$24.00	Switch Slide SPST 10A 125V 5.0 230V
4023700	\$21.00	Switch Rocker DPDT 20A
4030555	\$75.00	Motor Cool Fan 115V - large (used w/FR1260, 2440, 2460, 3230)
4030575	\$70.00	Motor Cool Fan 115V - small (used w/FR1220, 1240, 2425)
4040303	\$90.00	Capacitor 3MFD 660V for 12V 20A Charger
4040305	\$19.00	Capacitor 5MFD 660V for 30A, 40A, & 60A Chargers
4121780	\$55.00	Fuse 80A Bolt-In
4122050	\$60.00	Fuse 50A Bolt-In
4090400	\$15.00	Fuse Holder, AC "G" Series
4120415	\$6.30	Fuse, 15 AMP AC
4122740	\$60.00	Fuse, 40 Amp DC "G" Series
4123335	\$135.00	Breaker Circuit Auto-Reset 25A DC
4123350	\$155.00	Breaker Circuit Auto-Reset 50A DC
4123480	\$125.00	Breaker Circuit Auto Reset 80A DC
4180340	\$23.00	Diode, Rectifying, 40 Amp, For 20A, 30A & 40A Chargers
4180440	\$34.00	Diode, Blocking, 40 Amp, For 20A, 30A & 40A Chargers
4181060	\$31.00	Diode 85A @ 130 Degrees Celsius
4181160	\$37.00	Diode 85A @ 130 Degrees Celsius
4190130	\$135.00	Ammeter, 0-30, Integral Shunt
4190250	\$85.00	Ammeter, 0-50, Integral Shunt
4190380	\$110.00	Ammeter, 0-80, Integral Shunt
4210200	\$6.30	Light Pilot Amber 115V
4210400	\$6.30	Light Pilot Amber 230V
4210500	\$6.30	Light Pilot Red 230V
701800011	\$295.00	G12NX, Control Circuit 12VDC
701800013	\$295.00	G24NX, Control Circuit 24VDC
701800015	\$295.00	G32NX, Control Circuit 32VDC
4030601	\$125.00	Fan Motor, 60HZ

# ***Product Cancellation Policy***

Dometic manufactures a broad range of products that are made available to our extensive customer base in two distinct categories:

1. The Majority of our sales volume is derived from products that are ordered on a consistent basis and therefore are placed into our Stocking Profile Matrix (SPM). These items are classified as Standard/Stock because we generally have multiple customers for like items and we produce these products on a continuous basis.
2. We also offer for sale, a wide variety of products that do not meet the criteria for SPM but we have established part numbers along with current pricing for them. These products are manufactured as the result of a specific customer's request and are only built to order. To distinguish between SPM products and these products, we classify them in our computer system as Active Special Order. So that we continue to meet the demands of all customers and stay flexible with our manufacturing mix, these products are only built to order.

In order to ensure that we make the best use of our resources, we find it necessary to establish a firm order cancellation policy and in some cases request a deposit before an order is started in manufacturing.

**Any product ordered that is categorized as "active special order" will be considered non-cancellable. In addition, we reserve the right to request a deposit on any order that contains items that are designated as "active special order".** The status of all parts can be viewed on the E-Dometic website at anytime.

**How does this work? Once the order is acknowledged, a deposit is received (if requested) and the parts ordering/manufacturing process is started, these items are non-cancellable.**

An exception to the above is the process of Custom Wood Grilles and Custom Plenums. These items can be cancelled up to 5 business days prior to scheduled ship date.

Definitions:

1. **Stocking Profile (A)** Products that are regularly sold and have activity at least 8 of the last 12 months and sold to multiple customers.
2. **Active Special (AS)** All items sold or used less than 7 out of the last 12 months or sold only to a single customer.
3. **Obsolete (K)** Items with no history in the past eighteen months.

All order confirmations clearly indicate if an item ordered is a special order. If you buy direct from Dometic you have access to our E-Dometic site that shows the status of all parts. If you purchase through a dealer or Distributor please contact them in advance of placing your order if you are uncertain about the status of the part you are ordering and have them confirm the status for you.



2000 N. Andrews Avenue

Pompano Beach, FL 33069 USA

Phone: 954-973-2477 • Facsimile: 954-979-4414

[Website: www.dometic.com](http://www.dometic.com) • [Email: marinesales@dometic.com](mailto:marinesales@dometic.com)

For Sales and Service calls within Europe and the Middle East, please contact +44 870 330 6101